



TECHNOSKLO, Ltd.



2015

Product Catalogue



Vážení obchodní přátelé,

naš nový výrobní katalog přehledně prezentuje všechny inovace a produktové novinky, které jsme v posledních letech uvedli na trh. Zároveň obsahuje tradiční výrobní řady, které po léta úspěšně vyrábíme a exportujeme po celém světě. V souhrnu tak poskytujeme mnohem širší, ucelenou nabídku laboratorního skla, která je reálným přínosem pro podnikání všech našich zákazníků.

Jako rodinná firma s mnohaletou tradicí dbáme na postupný a udržitelný rozvoj, který přináší zákazníkům vždy zboží v nejvyšší sklářské kvalitě. Celý náš program zahrnuje téměř dva a půl tisíce položek, které vyvážíme do 80 zemí světa.

Obchodní partnerství s největšími sklářskými firmami světa je důkazem vybudovaného respektu v segmentu laboratorního a technického skla, který nám pomáhá získávat důvěru i nově přichozích firem. Od průměru v oboru nás vždy odlišuje vysoká a opakovatelná kvalita zpracování, rychlá reakce na poptávky zákazníků, technologické zázemí našich výrobních provozů a v neposlední řadě sklářský um a znalosti našich pracovníků.

Samozřejmostí je každoroční certifikace norem ISO 9001:2008, stejně tak pravidelná aktivní účast a prezentace firmy na největších světových veletrzích v oboru.

Těšíme se na setkání a spolupráci s vámi.

Majitelé firmy Technosklo s.r.o.

Dear business associates,

Our new product catalogue clearly presents all of the innovations and new products that we have recently introduced onto the market. It also contains the traditional product lines we have successfully manufactured and exported across the globe for many years. In summary, we can provide a much wider and more comprehensive selection of laboratory glassware, which is a genuine asset for the businesses of all our customers.

As a family business with long-standing tradition, we pay careful attention to gradual and sustainable development, which has always brought our customers goods of the highest glassmaking quality. Our whole programme comprises almost two and a half thousand items that we export to 80 countries around the world.

Business partnerships with the largest glassmaking companies of the world are proof of the respect we have built in the sector of laboratory and technical glassware, which also helps us to gain the trust of new companies. The high and reproducible quality of our processing, our rapid response to customers' requirements, the technological facilities of our production operations and, last but not least, the glassmaking skill and knowledge of our workers have always set us apart from the average in the field.

Annual ISO 9001:2008 certification is assured, as is regular, active participation and presentation of the company at the world's biggest trade fairs in the field.

We look forward to meeting and working with you.

Technosklo s.r.o. company owner

Certificate

Standard **ISO 9001:2008**

Certificate Registr. No. 09 100 95123

TÜV Rheinland Cert GmbH certifies:

Certificate Holder:



TECHNOSKLO s.r.o.
Držkov čp. 135
CZ - 468 24 Držkov

Scope:

development, production and sale of laboratory and technical glass

An audit was performed, Report No. 95123.
Proof has been furnished that the requirements according to ISO 9001:2008 are fulfilled.

The due date for all future audits is 18-11 (dd.mm).

Validity:

The certificate is valid from 2013-11-28 until 2016-11-18.

First certification 1998

2013-12-03

TÜV Rheinland Cert GmbH
Am Grauen Stein · 51105 Köln



www.tuv.com

 **TÜVRheinland®**
Precisely Right.

PROPERTIES OF USED GLASSES

Glass tubes made from two types of glass are utilized for the production of laboratory volumetric glassware and other types of laboratory glassware that are in the production program of the Company.

Soda-lime glass

The glass has good chemical as well as physical properties and it is suitable for the products that resist momentarily the impact of chemical medium and limitedly also temperature differences. Both types of pipettes are produced from the soda-lime glass.

Borosilicate glass

This type of glass has very good chemical and physical properties. Therefore it is suitable for the production of volumetric glassware with long-term chemical resistance as for example burettes, as well as for the production of the laboratory glassware that could be exposed to the higher temperature as for example beakers.

Physical properties of used glasses

	Soda-lime glass	Borosilicate glass
Coefficient of linear thermal expansion (ISO 7991) α (20 °C; 300 °C)	$9,8 \cdot 10^{-6} \text{ K}^{-1}$	$3,3 \cdot 10^{-6} \text{ K}^{-1}$
Density ρ (20 °C)	$2,51 \text{ g cm}^{-3}$	$2,23 \text{ g cm}^{-3}$
Upper annealing temperature (ISO 7884-7) – viscosity $\eta 10^{13,2} \text{ dPa}\cdot\text{s}$	518 °C	560 °C
Lower annealing temperature (ISO 7884-7) - viscosity $\eta 10^{14,7} \text{ dPa}\cdot\text{s}$	483 °C	510 °C

Thermally treated glass is annealed, it means tempered up to the upper annealing temperature. It is kept at this temperature for at least 30 minutes and then it is slowly cooled down to the lower annealing temperature. The annealing below this temperature could be even faster. The procedure ensures removal of tension inside the glass that is usually created during its thermal treatment.

Chemical properties of used glasses

	Soda-lime glass	Borosilicate glass
Chemical water resistance (according to the Standard ISO 719)	HGB 3	HGB 1
Chemical acid resistance (according to the Standard ISO 1776)	-	1
Chemical alkali resistance (according to the Standard ISO 695)	-	2

Water and acids resistance

The impact of acids and water on the surface of borosilicate glass is insignificant. Only a very small amount of monovalent ions is released into the surrounding medium at the beginning of the impact. Non-porous layer of silica gel is created gradually on the glass surface. The layer works as an inhibitor against the further influence of the surrounding medium. Hydrofluoric acid and hot phosphoric acid are the only exceptions from the above-described mechanism of impacts of water and acids on the glass surface. Both acids prevent the creation of silica gel layer on the glass surface. Typical time dependence of sodium oxide loss from the glass surface by the impact of water and mass loss of the glass by the impact of acids related to cm^2 is shown in Figures No.1 and 2.

Alkali resistance

Impact of alkalis on the glass surface is increasing with alkali concentration and with temperature of the medium. In case of borosilicate glass the erosion is limited on few micrometers of the surface layer but the surface etching can remove the scales from the volumetric laboratory glass in this type of medium. Illustration of time dependence of mass loss of the glass in alkali environment is shown in Figure No. 3

Figure No.1

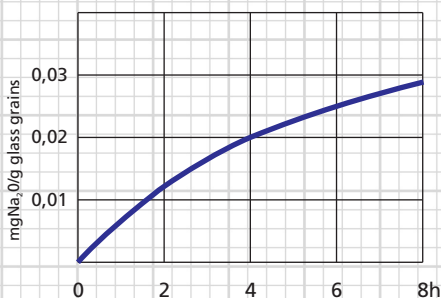


Figure No.2

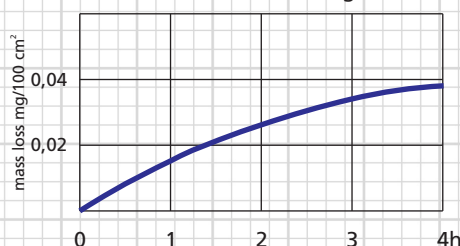
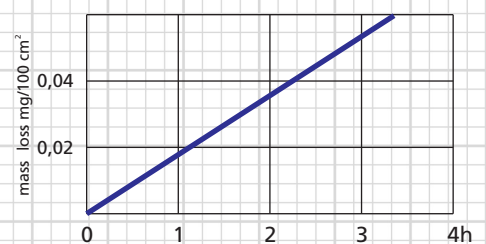


Figure No.3



LABORATORY AND VOLUMETRIC GLASS USE

Volume measurement

Pipettes

Pipettes are used for a precise measurement of small volume of liquids. Pipettes are filled by sucking the liquid by mouth or by various types of pipettors on the level above the volume mark printed on the pipette. Liquid height in the pipette is adjusted by draining the part of the liquid up to the mark and then the liquid from the pipette is released into the vessel in which we are going to measure out the liquid. Longitudinal axis of the pipette must be in vertical position and the jet of the pipette may not touch the vessel wall and the vessel wall must be bent towards the longitudinal axis of the pipette. The pipettes are produced in two **accuracy classes: A** with waiting time 15 seconds and **B** without waiting time.

Pipettes are adjusted to deliver its indicated capacity; it means the volume measured by the pipette is the volume that runs out from the pipette. The rest of the liquid that remains on the pipette walls and in the jet is not included in the measured volume. The pipettes adjusted on the delivered capacity are marked on a label by the letters "Ex".

Note: If all liquid in the volumetric vessel is included into the measured volume, the products are marked on a label by the letters "In". These vessels calibrated to contain.

There are two basic types of pipettes: **volumetric and graduated pipettes**. The **volumetric pipettes** are used for the dosing of nominal volume given on the pipette label. The **graduated pipettes** can dose any volume within the nominal pipette volume.

Volumetric pipettes with nominal volume up to 100 ml are made from soda-lime glass. Volumetric pipettes with the volume up to 200 ml are produced from borosilicate glass. The pipettes are enlarged in the center part (pipettes with volume 1 and 2 ml are also produced without enlargement in the center part), and they have one sign on the upper part of the tube above the enlargement; pertinently two-sign pipettes could have one more sign on the tube part below the enlargement. The height of liquid level is adjusted after the filling the tube in such a way that meniscus will touch upper edge of the sign, see Figure No. 4. During the adjustment the join of bottom edge of meniscus and eye must be in orthogonal axis to the longitudinal axis of the pipette, see Figure No.4. The liquid is then discharged from the pipette completely up to the jet of pipette, pertinently in case of two sign pipettes up to the second sign. In case of pipettes with B class of accuracy the dosing of measured volume can be stopped after the releasing of the liquid from the pipette. In case of pipettes with A class of accuracy it is necessary to wait 15 seconds till the rest of liquid from the walls of pipette is released.

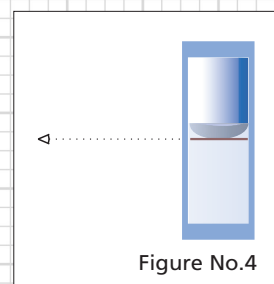


Figure No.4

Graduated pipettes with the volume up to 25 ml are made from soda-lime glass, graduated pipettes with the volume 50 and 100 ml are produced from borosilicate glass. The scale is printed by silkscreen printing on the tube and each tenth mark is numerated. The scale is divided in milliliters, pertinently in fractions of milliliters. Two types of graduated pipettes are produced: **pipettes with full outflow and pipettes with partial outflow**.

In case of the **pipettes with full outflow** the level height after the filling of the pipette is adjusted in such way that meniscus will touch upper edge of volume mark (see Figure No. 5), which corresponds to the volume that we are going to measure. Then the liquid is released from the pipette. In case of pipettes with B class of accuracy the dosing of measured volume can be stopped after the releasing of the liquid from the pipette. In case of pipettes with A class of accuracy it is necessary to wait 15 seconds till the rest of liquid from the walls of the pipette is released.

In case of the **pipettes with partial outflow**, the liquid level in the pipette is adjusted on the upper mark in such a way that meniscus will touch upper edge of the mark (see Figure No.5) and the liquid is released up to the mark whose value corresponds to the volume that we are going to measure. Pipettes with B class of accuracy enable to adjust immediately the liquid level in the pipette in such way that the meniscus will touch upper edge of the selected volume mark. We produce this type of pipettes only with B class of accuracy.



Figure No.5

Burettes

Burettes are produced from borosilicate tubes. The tubes are calibrated and every tenth mark is numerated. The scale division is in milliliters, pertinently in fractions of milliliters. In order to improve the reading of volume values on the burette, the tubes can have Schellbach strip (narrow blue strip overprinted by wider white strip) that is located on the tube opposite to the printed scale. Difference in reading on the burettes with Schellbach strip is illustrated on the Figures No. 6 and 7. While in case of burettes without the Schellbach strip the value is read similarly as in case of pipettes (on the lower edge of meniscus, see Figure No. 6), the burettes with the Schellbach strip show the read value between the heads of arrows that are created on the Schellbach strip by the influence of light refraction on the boundary between air and liquid, see Figure No.7. The burettes are similarly as pipettes produced in two classes of accuracy: **A** with waiting time 30 s and **B** without waiting time.

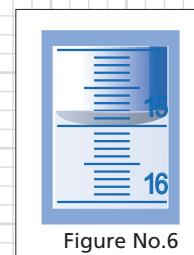


Figure No.6

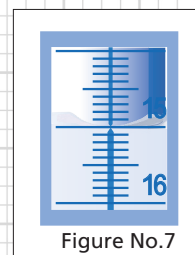


Figure No.7

SAFETY INSTRUCTIONS FOR WORK WITH LABORATORY GLASS

Follow the safety instructions for work with chemical substances during work with the laboratory glass. Never use mouth for pipetting the chemical substances that are poisonous, caustic, irritating or dangerous to health. Such substances should be pipetted by pipettors that are available on the market.

Cleaning

Residues of precipitates from the surfaces of the laboratory glass can be removed by a suitable acid or by diluted solution of sodium hydroxide or sodium carbonate. We prefer acids because their erosion of the glass is much lower. Organic solvents like tetrachlor, trichlorethylene or acetone can remove bigger amounts of oil. Smaller residues of organic compounds can be removed by chromosulfuric acid. Careful rinse by tap water should be carried out after the removal of all impurities from the laboratory glass. Final rinse of the glass should be done by distilled water. It is also possible to rinse the glass by denaturated ethanol in order to improve drying.

Because we cannot exclude certain contamination of the laboratory glass during the transport, it is recommended to clean each piece of the laboratory glass before the first usage.

Declaration of conformity

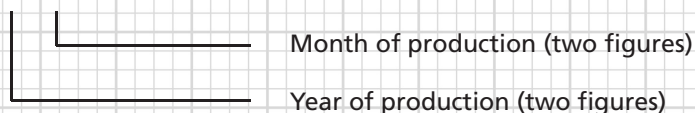
TECHNOSKLO s.r.o. supplies pipettes and burettes checked out for conformity with requirements of applicable standards ISO and DIN. The term "**conformity**" is used for this type verification. Two types of conformity are provided: **batch conformity and individual conformity**. They differ by numerical marking on the products and by the way in which the conformity is verified.

Batch conformity (for a specific supply)

Batcher control is used for all products for the purposes of this type of conformity. The adjustment of dosing of given control volume is verified by the weight method. Statistical selections of the products that satisfy the control by batcher are moreover controlled by weight method. Number of products selected for the weight control is determined by the following method: the weight test is done for all products in case of inspection lots with up to 50 pieces; in case of inspection lots with more than 50 pieces the products for testing are selected in accordance with the standard CSN ISO 2859-1 for control level II and standard control. Number of imperfect pieces in the selection is specified and then the criteria whether the controlled set will be accepted $A_c = 0$ and value for the number of faulty pieces in the set or whether the controlled set will be rejected $R_e = 1$ are defined. Allowable quality limit for the values A_c and R_e should not be higher than 1 %. The result of the control is characteristic parameter for determination of expected value of product volume and selective standard deviation that defines uncertainty of volume determination of one product from the given order.

"Declaration of conformity" certificate is issued for the verified order. The Declaration contains basic parameters, identification data, nominal volume, standard deviation of the determination for the product volume, type of measuring device and its metrological parameters and marking that will be used for the verified products. The product marking for batch conformity has the following format:

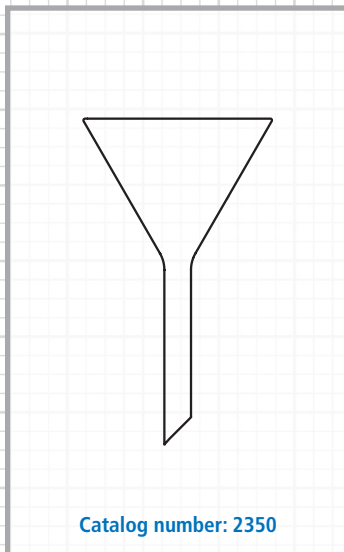
XX.XX

**Individual conformity (for every product)**

All products that are marked as products with the individual conformity are controlled by the weight method on analytical balance. The results of the measurement are used for the determination of the measured value of volume and for the determination of its standard uncertainty of the measurement. The certificate is issued for each product and it contains basic parameters, identification data and marking number for the product. Format of the marking number is as follows:

XXXX consecutive number of each type of volumetric glass (from the beginning of individual conformity determination in the company TECHNOSKLO s.r.o.).

FUNNELS

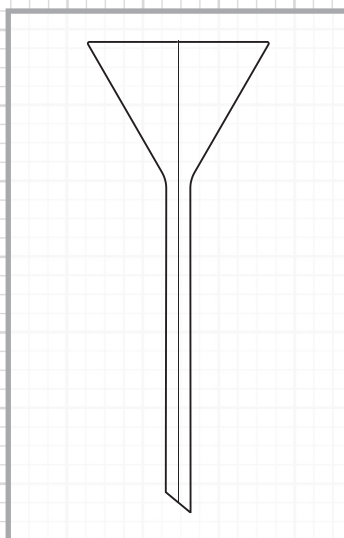


Trichter
Nálevka

Code	Top part diameter (mm)	Stem diameter (mm)	Drawing	ISO: 4798 Packing (pcs)
632 421 001 030	30*	6	1213.1	10
632 421 001 031	35	6	1463	10
632 421 001 041	40*	6	1222	10
632 421 001 046	45*	6	1464	10
632 421 001 050	50*	7	2656	10
632 421 001 056	55	8	1465	10
632 421 001 060	60*	8	2657	10
632 421 001 071	70*	8	2435	10
632 421 001 076	75	8	1466	10
632 421 001 081	80*	9	2436	10
632 421 001 086	85*	9	1467	10
632 421 001 100	100	10	1468	10
632 421 001 125	125	16	3839	10
632 421 001 150	150	16	3840	10

Notice: * not according to ISO standard Borosilicate glass

FUNNELS WITH LONG STEM

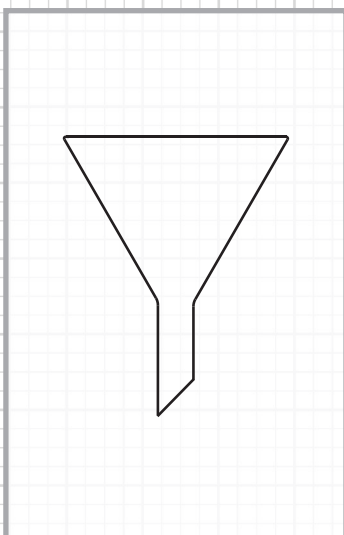


Trichter mit langem Stiel
Nálevka s dlouhým stonkem

Code	Top part diameter (mm)	Stem diameter (mm)	Drawing	Packing (pcs)
632 421 004 030	30	6	1213/1	10
632 421 004 031	35	6	5416	10
632 421 004 041	40	6	1222/1	10
632 421 004 046	45	6	1464/4	10
632 421 004 050	50	7	5417	10
632 421 004 056	55	8	1465/3	10
632 421 004 060	60	8	2657/2	10
632 421 004 071	70	8	4175	10
632 421 004 076	75	8	5427	10
632 421 004 081	80	9	2436/3	10
632 421 004 100	100	10	4176	10

Notice: Borosilicate glass

FUNNEL FILLING, WITH SHORT OBLIQUE STEM



Pulvertrichter mit kurzem, schrägen Stiel
Násepka s krátkým šikmým koncem

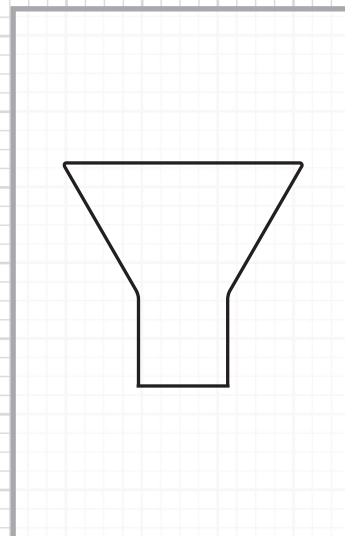
Code	Top part diameter (mm)	Stem diameter (mm)	Drawing	Packing (pcs)
632 421 171 060	60	10	4323	10
632 421 171 080	80	12	4324	10
632 421 171 100	100	15	4325	10

Notice: Borosilicate glass

FUNNEL FILLING, WITH SHORT WIDE STEM

Pulvertrichter mit kurzem, geraden Stiel
Náypka s krátkým rovným koncem

Code	Top part diameter (mm)	Stem diameter (mm)	Drawing	Packing (pcs)
632 421 170 050	50	20	4319	10
632 421 170 060	60	20	4320	10
632 421 170 080	80	26	4321	10
632 421 170 100	100	26	4318	10
632 421 170 125	125	26	4360	10
632 421 170 150	150	26	4361	10

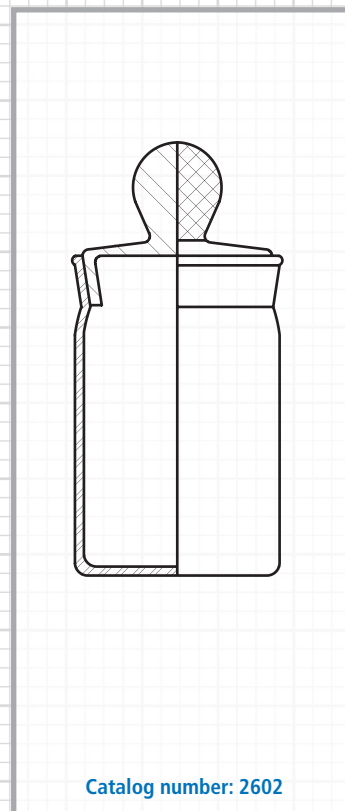


Notice: Borosilicate glass

WEIGHING BOTTLES - LIGHT LID

Wägegläser - leichter Deckel
Odvažovačka - lehké víčko

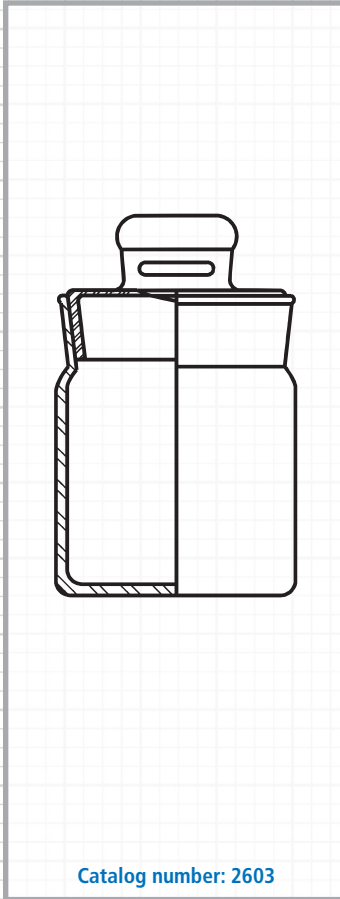
Code	Diameter (mm)	Height (mm)	ML	SJ	Drawing	Packing
632 421 201 252	25	25	3	19/12	2332.1	10
632 421 201 253	25	30	5	19/12	2332.1	10
632 421 201 254	25	40	9	19/12	2332.1	10
632 421 201 255	25	50	13	19/12	2332.1	10
632 421 201 303	30	30	7	24/12	2333	10
632 421 201 304	30	40	13	24/12	2333	10
632 421 201 305	30	50	19	24/12	2333	10
632 421 201 306	30	60	24	24/12	2333	10
632 421 201 307	30	70	30	24/12	2333	10
632 421 201 308	30	80	36	24/12	2333	10
632 421 201 353	35	30	10	29/12	2334	10
632 421 201 354	35	40	18	29/12	2334	10
632 421 201 355	35	50	26	29/12	2334	10
632 421 201 356	35	60	34	29/12	2334	10
632 421 201 357	35	70	42	29/12	2334	10
632 421 201 403	40	30	13	34/12	2335	10
632 421 201 404	40	40	23	34/12	2335	10
632 421 201 405	40	50	34	34/12	2335	10
632 421 201 406	40	60	45	34/12	2335	10
632 421 201 407	40	70	55	34/12	2335	10
632 421 201 408	40	80	66	34/12	2335	10
632 421 201 503	50	30	20	45/12	2523.1	10
632 421 201 504	50	40	37	45/12	2523.1	10
632 421 201 505	50	50	54	45/12	2523.1	10
632 421 201 507	50	70	88	45/12	2523.1	10
632 421 201 508	50	80	105	45/12	2523.1	10



Catalog number: 2602

Notice: Borosilicate glass

WEIGHING BOTTLES - PRESSED LID



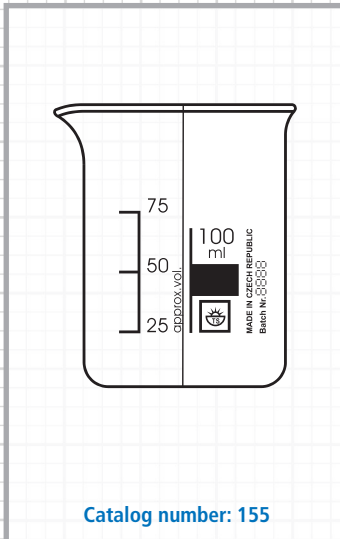
Catalog number: 2603

Wägegläser - Gepresster Deckel
Odvažovačka - lisované víčko

Code	Diameter (mm)	Height (mm)	ML	SJ	Drawing	Packing
632 421 301 252	25	25	3	19/12	3114	10
632 421 301 253	25	30	5	19/12	3114	10
632 421 301 254	25	40	9	19/12	3114	10
632 421 301 255	25	50	13	19/12	3114	10
632 421 301 303	30	30	7	24/12	3115	10
632 421 301 304	30	40	13	24/12	3115	10
632 421 301 305	30	50	19	24/12	3115	10
632 421 301 306	30	60	24	24/12	3115	10
632 421 301 307	30	70	30	24/12	3115	10
632 421 301 308	30	80	36	24/12	3115	10
632 421 301 353	35	30	10	29/12	3116	10
632 421 301 354	35	40	18	29/12	3116	10
632 421 301 355	35	50	26	29/12	3116	10
632 421 301 356	35	60	34	29/12	3116	10
632 421 301 357	35	70	42	29/12	3116	10
632 421 301 403	40	30	13	34/12	3117	10
632 421 301 404	40	40	23	34/12	3117	10
632 421 301 405	40	50	34	34/12	3117	10
632 421 301 406	40	60	45	34/12	3117	10
632 421 301 407	40	70	55	34/12	3117	10
632 421 301 408	40	80	66	34/12	3117	10
632 421 301 503	50	30	20	45/12	3118	10
632 421 301 504	50	40	37	45/12	3118	10
632 421 301 505	50	50	54	45/12	3118	10
632 421 301 507	50	70	88	45/12	3118	10
632 421 301 508	50	80	105	45/12	3118	10
632 421 301 603	60	30	29	50/12	3119	10
632 421 301 604	60	40	53	50/12	3119	10
632 421 301 605	60	50	78	50/12	3119	10
632 421 301 606	60	60	102	50/12	3119	10
632 421 301 607	60	70	126	50/12	3119	10
632 421 301 608	60	80	150	50/12	3119	10
632 421 301 803	80	30	60	80/12	4784	10

Notice: Borosilicate glass

BEAKERS, LOW FORM



Catalog number: 155

Bechergläser, niedrige Form
Kádinka nízká

ISO: 3819

Code	Capacity (ml)	Drawing	Packing (pcs)
632 427 250 005	5	1364q	10
632 427 250 010	10	1365q.2	10
632 427 250 025	25	1366q.2	10
632 427 250 050	50	1444/q.2	10
632 427 250 100	100	1445/q.2	10
632 427 250 150	150	1446/q.2	10
632 427 250 250	250	1367/q.2	10
632 427 250 400	400	3841/b.1	10
632 427 250 600	600	3842/b.1	10
632 427 250 800	800	3843/b.1	10
632 427 250 940	1000	3844/b.1	10
632 427 250 950	2000	3845/b.1	4

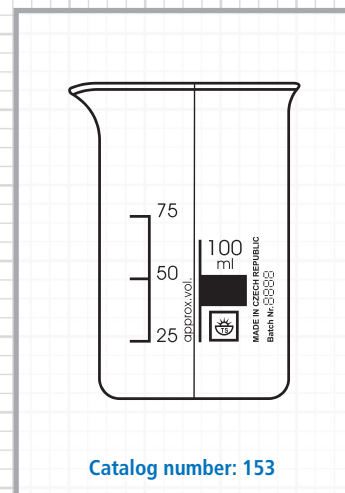
Notice: Borosilicate glass

BEAKERS, HIGH FORM

Bechergläser, hohe Form
Kádinka vysoká

Code	Capacity (ml)	Drawing	Packing (pcs)	ISO: 3819
632 427 252 025	25 *	3021/q.2	10	
632 427 252 050	50	1447/q.2	10	
632 427 252 100	100	1448/q.2	10	
632 427 252 150	150	1449/q.2	10	
632 427 252 250	250	1368/q.2	10	
632 427 252 400	400	3846/b.1	10	
632 427 252 600	600	3847/b.1	10	
632 427 252 800	800	3848/b.1	10	
632 427 252 940	1000	3849/b.1	10	
632 427 252 950	2000	3850/b.1	4	

Notice: * not according to DIN standard Borosilicate glass

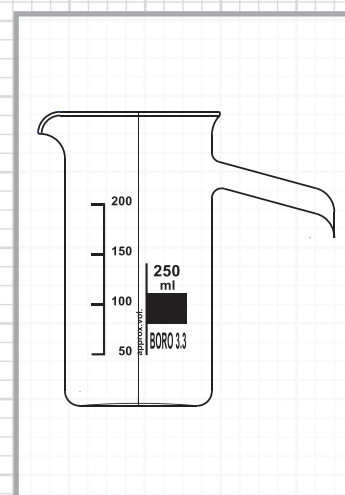


BEAKERS, TALL FORM, WITH OUTLET TUBE

Bechergläser, hohe Form, mit Auslaufrohr
Kádinka vysoká, s výtokovou trubicí

Code	Capacity (ml)	Drawing	Packing (pcs)
632 449 702 250	250	4082/1	10
632 449 702 400	400	4082/2	10

Notice: Borosilicate glass

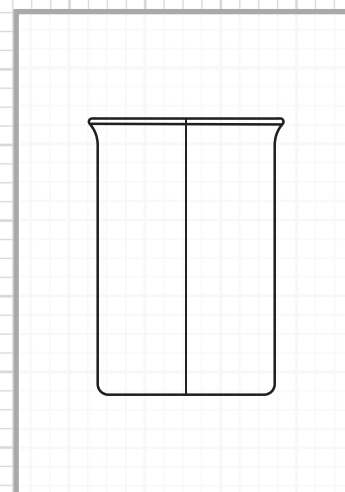


BERZELIUS BEAKER

Berzeliusbecher
Kádinka Berzelius

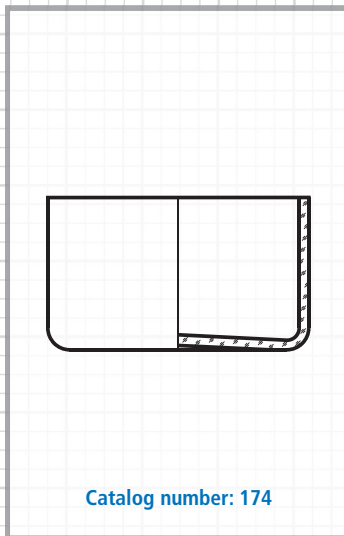
Code	Capacity (ml)	Drawing	Packing (pcs)
632 427 111 100	100	4138	10

Borosilicate glass



CRYSTALLISING DISHES • FLASKS

CRYSTALLISING DISHES WITHOUT SPOUT



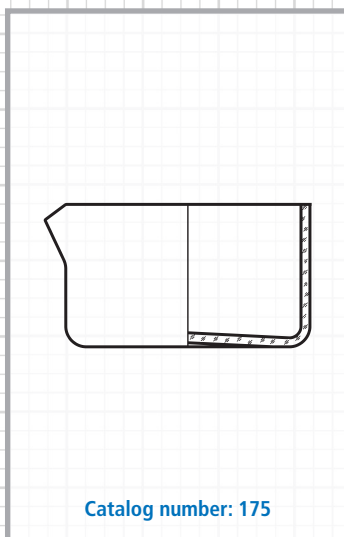
Kristallisierschalen ohne Ausguß
Krystalizační miska, bez výlevky

ISO: 12337

Code	Capacity (ml)	Diameter (mm)	Height (mm)	Drawing	Packing (pcs)
632 412 624 040	20	40	25	4333	10
632 412 624 050	40	50	30	4334	10
632 412 624 060	60	60	35	4335	10
632 412 624 070	100	70	40	4336	10
632 411 624 080	150	80	45	5362	10
632 411 624 095	300	95	55	5363	10
632 411 624 115	500	115	65	5364	10
632 411 624 140	900	140	75	5365	10
632 411 624 190	2000	190	90	5366	4
632 411 624 230	3500	230	100	5367	4

Notice: Borosilicate glass

CRYSTALLISING DISHES WITH SPOUT



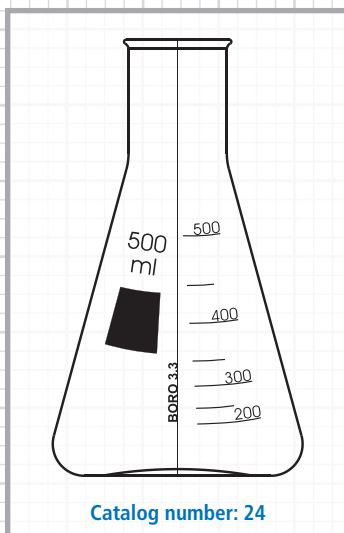
Kristallisierschalen mit Ausguß
Krystalizační miska s výlevkou

ISO: 12338

Code	Capacity (ml)	Diameter (mm)	Height (mm)	Drawing	Packing (pcs)
632 412 625 040	20	40	25	4337	10
632 412 625 050	40	50	30	4338	10
632 412 625 060	60	60	35	4339	10
632 412 625 070	100	70	40	4340	10
632 411 625 080	150	80	45	5362/1	10
632 411 625 095	300	95	55	5363/1	10
632 411 625 115	500	115	65	5364/1	10
632 411 625 140	900	140	75	5365/1	10
632 411 625 190	2000	190	90	5366/1	4
632 411 625 230	3500	230	100	5367/1	4

Notice: Borosilicate glass

FLASK ERLENMEYER, NARROW NECK



Erlenmeyer Kolben, enghalsig
Baňka dle Erlenmeyera, úzké hrdlo

ISO 1773

Code	Capacity (ml)	Diameter 1 (mm)	Diameter 2 (mm)	Height (mm)	Packing (pcs)
632 411 119 025	25	42	22	70	10
632 417 119 050	50	51	22	85	10
632 417 119 100	100	64	22	105	10
632 417 119 200	200	79	34	131	10
632 417 119 250	250	85	34	140	10
632 417 119 300	300	87	34	156	10
632 417 119 500	500	105	34	175	10
632 417 119 940	1000	131	42	220	10
632 417 119 950	2000	166	50	280	6
632 411 119 952	3000	187	50	310	6
632 411 119 956	5000	220	50	365	2

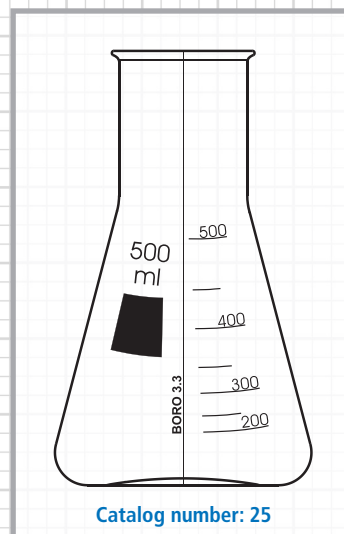
Notice: Borosilicate glass

FLASK ERLENMEYER, WIDE NECK

Erlenmeyer Kolben, weithalsig
Baňka dle Erlenmeyera, široké hrdlo

ISO 24450

Code	Capacity (ml)	Diameter 1 (mm)	Diameter 2 (mm)	Height (mm)	Packing (pcs)
632 411 106 025	25	42	32	70	10
632 411 106 050	50	51	34	85	10
632 417 106 100	100	64	34	105	10
632 417 106 200	200	79	50	131	10
632 417 106 250	250	85	50	135	10
632 417 106 300	300	87	50	156	10
632 417 106 500	500	105	50	170	10
632 417 106 940	1000	131	50	215	10
632 417 106 950	2000	153	72	280	6



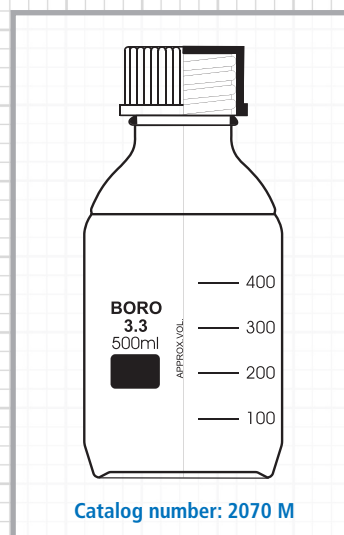
Notice: Borosilicate glass

REAGENT BOTTLES ACC. TO DIN, WITH BLUE CAP 140 °C RESISTANT, SCREW GL 45 - CLEAR

Laborflaschen nach DIN, mit blauer Kappe resistent bis 140 °C, Gewinde GL 45 - Klarglas
Lahev reagenční dle DIN, s modrým uzávěrem odolným do 140 °C - závit GL 45 - čiré sklo

ISO 4796-1

Code	Capacity (ml)	GL (mm)	Diameter (mm)	Height (mm)	Packing (pcs)
632 414 321 050	50	32	46	91	10
632 414 321 100	100	45	56	105	10
632 414 321 250	250	45	70	143	10
632 414 321 500	500	45	86	182	10
632 414 321 940	1000	45	101	203	10
632 414 321 950	2000	45	130	268	10
632 414 321 956	5000	45	186	355	6
632 414 321 966	10 000	45	234	410	1
632 414 321 976	20 000	45	299	505	1



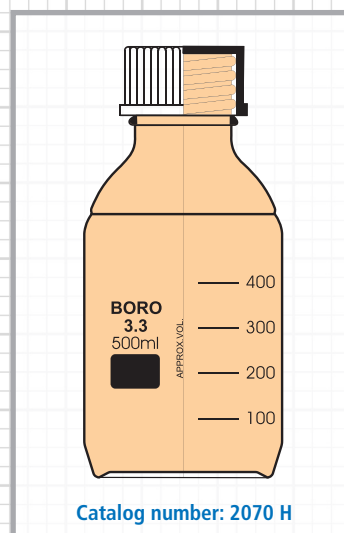
Notice: Borosilicate glass

REAGENT BOTTLES ACC. TO DIN, WITH BLUE CAP 140 °C RESISTANT, SCREW GL 45 - AMBER

Laborflaschen nach DIN, mit blauer Kappe resistent bis 140 °C, Gewinde GL 45 - Braunglas
Lahev reagenční dle DIN, s modrým uzávěrem odolným do 140 °C - závit GL 45 - hnědé sklo

ISO 4796-1

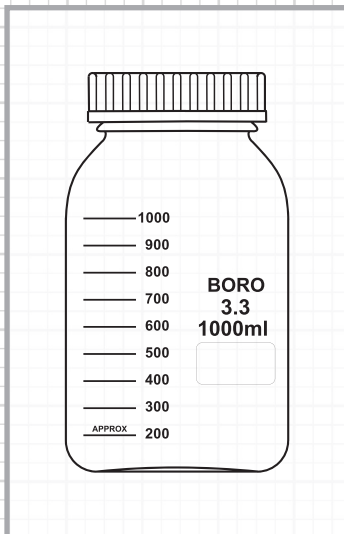
Code	Capacity (ml)	GL (mm)	Diameter (mm)	Height (mm)	Packing (pcs)
632 414 345 050	50	32	46	91	10
632 414 345 100	100	45	56	105	10
632 414 345 250	250	45	70	143	10
632 414 345 500	500	45	86	182	10
632 414 345 940	1000	45	101	203	10
632 414 345 950	2000	45	130	268	10
632 414 345 956	5000	45	186	355	6



Notice: Borosilicate glass

REAGENT BOTTLES • FLASKS

REAGENT BOTTLES ACC. TO DIN, SQUARE, WITH BLUE CAP 140 °C RESISTANT, SCREW GL 80 - CLEAR

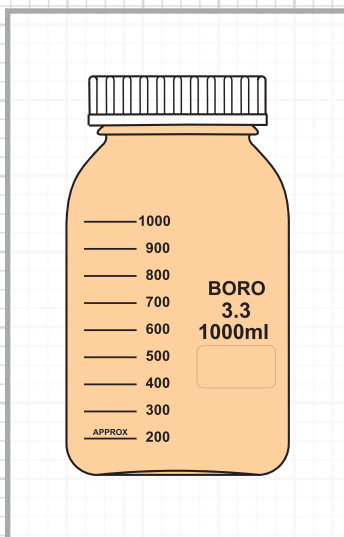


Laborflaschen nach DIN - eckig, mit blauer Kappe resistent bis 140 °C, Gewinde GL 80 - Klarglas
Lahev reagenční dle DIN - hranatá, s modrým uzávěrem odolným do 140 °C - závit GL 80 - čiré sklo

Code	Capacity (ml)	GL (mm)	Diameter (mm)	Height (mm)	Packing (pcs)
632 414 812 500	500	80	94 x 94	141	10
632 414 812 940	1000	80	105 x 105	187	10
632 414 812 950	2000	80	115 x 115	260	10
632 414 812 956	5000	80	160 x 160	357	6

Notice: Borosilicate glass

REAGENT BOTTLES ACC. TO DIN, SQUARE, WITH BLUE CAP 140 °C RESISTANT, SCREW GL 80 - AMBER

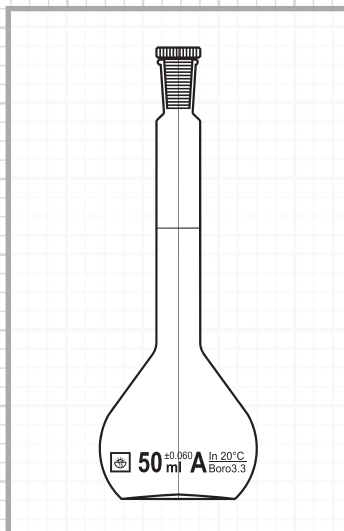


Laborflaschen nach DIN - eckig, mit blauer Kappe resistent bis 140 °C, Gewinde GL 80 - Braunglas
Lahev reagenční dle DIN - hranatá, s modrým uzávěrem odolným do 140 °C - závit GL 80 - hnědé sklo

Code	Capacity (ml)	GL (mm)	Diameter (mm)	Height (mm)	Packing (pcs)
632 414 825 500	500	80	94 x 94	141	10
632 414 825 940	1000	80	105 x 105	187	10
632 414 825 950	2000	80	115 x 115	260	10
632 414 825 956	5000	80	160 x 160	357	6

Notice: Borosilicate glass

FLASKS VOLUMETRIC WITH SJ AND PLASTIC STOPPER, CLASS A



Meßkolben mit NS - Kunststoffstopfen, Klasse A
Baňka odměrná s NZ a PE zátkou, třída A

ISO 1042

Code	Capacity - accuracy (ml)	Diameter (mm)	Height (mm)	SJ	Drawing	Packing (pcs)
632 431 622 018	5 ± 0,025	22	70	7/16	4372/TS	10
632 431 622 019	10 ± 0,025	27	90	7/16	4372/TS	10
632 431 622 023	25 ± 0,040	40	110	10/19	4372/TS	10
632 431 622 025	50 ± 0,060	50	140	12/21	4372/TS	10
632 431 622 030	100 ± 0,100	60	170	12/21	4372/TS	10
632 431 622 037	200 ± 0,150	75	210	14/23	4372/TS	10
632 431 622 038	250 ± 0,150	80	220	14/23	4372/TS	10
632 431 622 043	500 ± 0,250	100	260	19/26	4372/TS	10
632 431 622 044	1000 ± 0,400	125	300	24/29	4372/TS	10
632 431 622 046	2000 ± 0,600	160	370	29/32	4372/TS	6

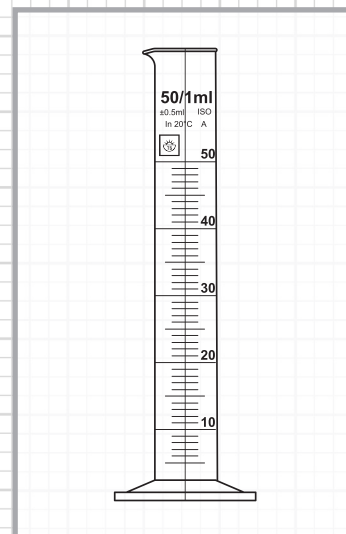
Notice: Borosilicate glass

CYLINDERS GRADUATED, HEXAGONAL BASE AND POUROUT, HIGH FORM, BLUE GRADUATION, CLASS A

Meßzylinder, mit Sechskantfuß und Ausguß, hohe Form, blaue Graduation, Klasse A
Válec odměrný se šestihrannou patkou a výlevkou, modrá graduace, třída A

ISO 4788

Code	Capacity - accuracy (ml)	Subdivision (ml)	Diameter (mm)	Height (mm)	Drawing	Packing (pcs)
632 432 110 718	5 ± 0,050	0.1	12.9	115	4373	10
632 432 110 819	10 ± 0,100	0.2	15.5	135	4373	10
632 432 110 923	25 ± 0,250	0.5	21.3	160	4373	10
632 432 111 125	50 ± 0,500	1	26	195	4373	10
632 432 111 130	100 ± 0,500	1	31.3	240	4373	10
632 432 111 238	250 ± 1,000	2	41	320	4373	10
632 432 111 343	500 ± 2,500	5	53.2	380	4373	10
632 432 111 444	1000 ± 5,000	10	67	465	4373	10
632 432 111 546	2000 ± 10,000	20	83.5	565	4373	10

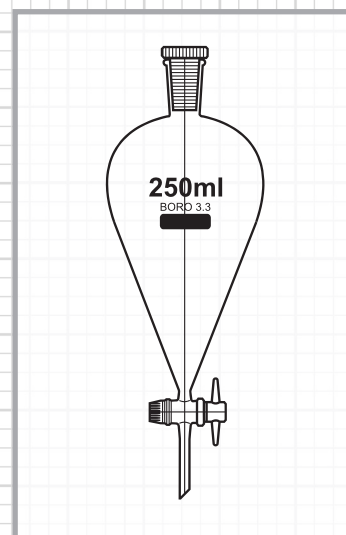


Notice: Borosilicate glass

FUNNELS SEPARATORY CONICAL ACC. TO SQUIBB WITH SJ STOPPER AND TEFLON SJ STOPCOCK

Scheidetrichter nach Squibb, kegelförmig, mit NS Stopfen und NS Teflonhahn
Dělicí nálevka dle Squibba, s PE zátkou a teflonovým kohoutem

Code	Capacity (ml)	Diameter (mm)	Height (mm)	SJ	Drawing	Packing (pcs)
632 426 355 056	50	9	70	19/26	4374	1
632 426 355 106	100	9	70	19/26	4374	1
632 426 355 256	250	9	70	29/32	4374	1
632 426 355 506	500	10	70	29/32	4374	1
632 426 355 946	1000	10	70	29/32	4374	1
632 426 355 956	2000	13	70	29/32	4374	1

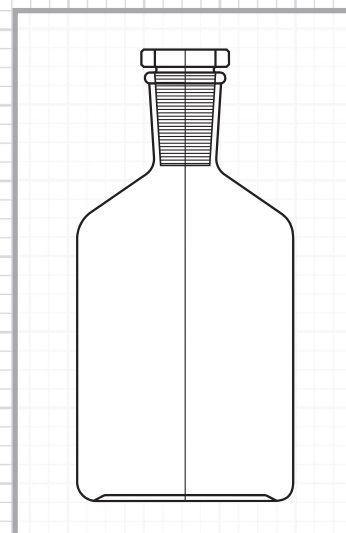


Notice: Borosilicate glass

BOTTLES REAGENT, STEILBRUST, NARROW MOUTH, GROUND-IN FLAT STOPPER - CLEAR

Enghalsflaschen, Steilbrust, mit eingeschliffenem Stopfen - klar
Reagenční láhev úzkohrdlá, Steilbrust, se zabroušenou zátkou - čirá

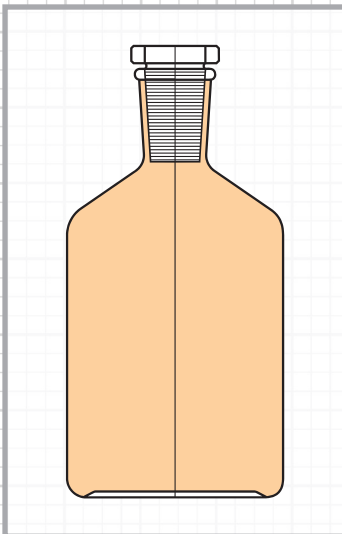
Code	Capacity (ml)	Diameter (mm)	Height (mm)	SJ	Packing (pcs)
632 414 126 050	50	41.5	77	14/15	48
632 414 126 100	100	51.5	103	14/23	48
632 414 126 250	250	69	131	19/26	30
632 414 126 500	500	85	163	24/29	9
632 414 126 940	1000	106.5	199	29/32	12
632 414 126 950	2000	133	245	29/32	6



Notice: Soda - lime glass

BOTTLES REAGENT

BOTTLES REAGENT, STEILBRUST, NARROW MOUTH, GROUND-IN FLAT STOPPER - AMBER

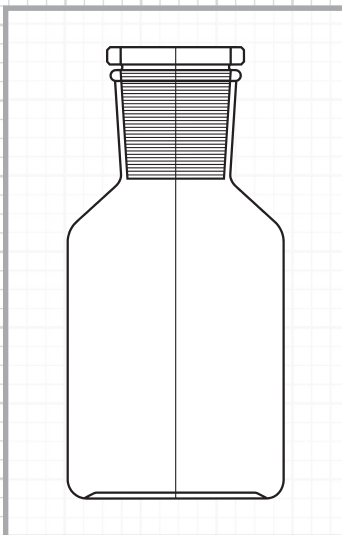


Enghalsflaschen, Steilbrust, mit eingeschliffenem Stopfen - braun
Reagenční láhev úzkohrdlá, Steilbrust, se zabroušenou zátkou - hnědá

Code	Capacity (ml)	Diameter (mm)	Height (mm)	SJ	Packing (pcs)
632 414 226 050	50	41.5	77	14/15	48
632 414 226 100	100	51.5	103	14/23	48
632 414 226 250	250	69	131	19/26	30
632 414 226 500	500	85	163	24/29	9
632 414 226 940	1000	106.5	199	29/32	12
632 414 226 950	2000	133	245	29/32	6

Notice: Soda - lime glass

BOTTLES REAGENT, STEILBRUST, WIDE MOUTH, GROUND-IN FLAT STOPPER - CLEAR

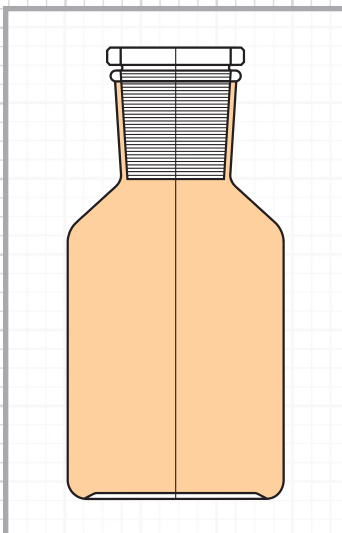


Weithalsflaschen, Steilbrust, mit eingeschliffenem Stopfen - klar
Reagenční láhev širokohrdlá, Steilbrust, se zabroušenou zátkou - čirá

Code	Capacity (ml)	Diameter (mm)	Height (mm)	SJ	Packing (pcs)
632 414 127 050	50	41.5	76	24/20	48
632 414 127 100	100	51.5	95	29/22	48
632 414 127 250	250	69	128	34/24	30
632 414 127 500	500	85	162	45/27	9
632 414 127 940	1000	106.5	197	60/46	12
632 414 127 950	2000	133	248	60/46	6

Notice: Soda-lime glass

BOTTLES REAGENT, STEILBRUST, WIDE MOUTH, GROUND-IN FLAT STOPPER - AMBER



Weithalsflaschen, Steilbrust, mit eingeschliffenem Stopfen - braun
Reagenční láhev širokohrdlá, Steilbrust, se zabroušenou zátkou - hnědá

Code	Capacity (ml)	Diameter (mm)	Height (mm)	SJ	Packing (pcs)
632 414 227 050	50	41.5	76	24/20	48
632 414 227 100	100	51.5	95	29/22	48
632 414 227 250	250	69	128	34/24	30
632 414 227 500	500	85	162	45/27	9
632 414 227 940	1000	106.5	197	60/46	12
632 414 227 950	2000	133	248	60/46	6

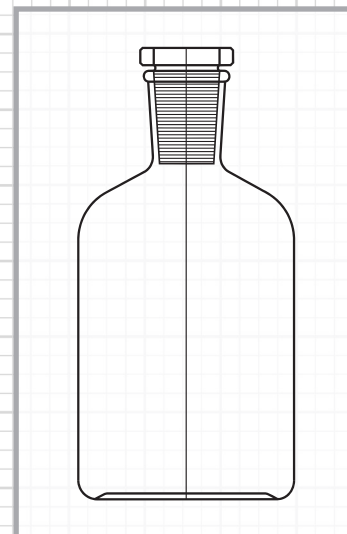
Notice: Soda-lime glass

BOTTLES REAGENT, NARROW MOUTH, GROUND-IN FLAT STOPPER, STANDARD SHAPE - CLEAR

Enghalsflaschen, mit eingeschliffenem Stopfen - klar
 Reagenční láhev úzkohrdlá, se zabroušenou zátkou - čirá

Code	Capacity (ml)	Diameter (mm)	Height (mm)	SJ	Packing (pcs)
632 414 102 050	50	41.5	77	14/15	48
632 414 102 100	100	51.5	103	14/23	70
632 414 102 250	250	69	131	19/26	30
632 414 102 500	500	85	163	24/29	15
632 414 102 940	1000	106.5	199	29/32	12
632 414 102 950	2000	132	245	29/32	6
632 414 142 956	5000 *	181	325	45/40	3
632 414 142 966	10000 *	227	403	60/46	1

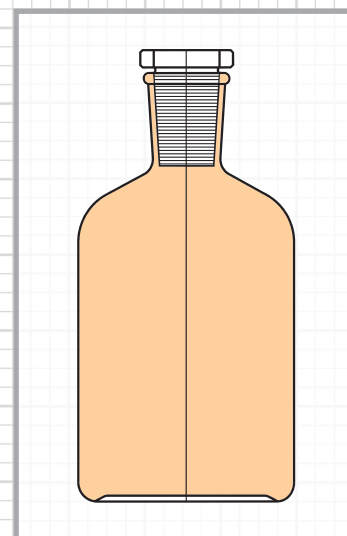
Notice: Soda-lime glass, * Borosilicate glass

**BOTTLES REAGENT, NARROW MOUTH, GROUND-IN FLAT STOPPER, STANDARD SHAPE - AMBER**

Enghalsflaschen, mit eingeschliffenem Stopfen - braun
 Reagenční láhev úzkohrdlá, se zabroušenou zátkou - hnědá

Code	Capacity (ml)	Diameter (mm)	Height (mm)	SJ	Packing (pcs)
632 414 202 050	50	41.5	77	14/15	48
632 414 202 100	100	51.5	103	14/23	70
632 414 202 250	250	69	131	19/26	30
632 414 202 500	500	85	163	24/29	15
632 414 202 940	1000	106.5	199	29/32	12
632 414 202 950	2000	132	245	29/32	6
632 414 242 956	5000 *	181	325	45/40	3
632 414 242 966	10000 *	227	403	60/46	1

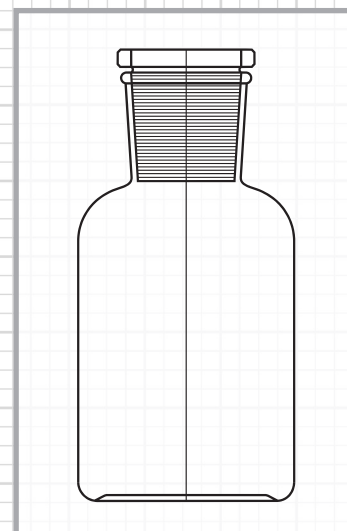
Notice: Soda-lime glass, * Borosilicate glass

**BOTTLES REAGENT, WIDE MOUTH, GROUND-IN FLAT STOPPER, STANDARD SHAPE - CLEAR**

Weithalsflaschen, mit eingeschliffenem Stopfen - klar
 Reagenční láhev širokohrdlá - prachovnice, se zabroušenou zátkou - čirá

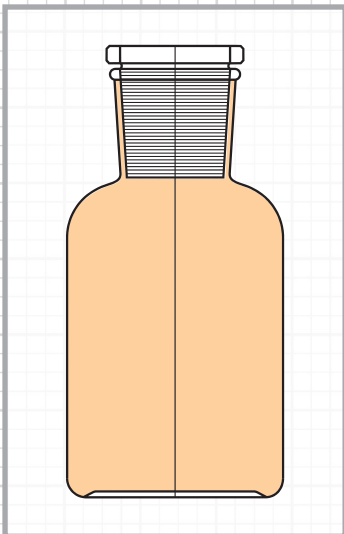
Code	Capacity (ml)	Diameter (mm)	Height (mm)	SJ	Packing (pcs)
632 414 104 050	50	41.5	76	24/20	40
632 414 104 100	100	51.5	95	29/22	48
632 414 104 250	250	69	128	34/24	30
632 414 104 500	500	85	162	45/27	15
632 414 104 940	1000	106.5	187	60/31	12
632 414 104 950	2000	132	238	60/31	6
632 414 144 956	5000 *	181	338	85/55	3
632 414 144 966	10000 *	227	403	85/55	1

Notice: Soda - lime glass, * Borosilicate glass



BOTTLES REAGENT • CULTURE FLASKS

BOTTLES REAGENT, WIDE MOUTH, GROUND-IN FLAT STOPPER, STANDARD SHAPE - AMBER



Weithalsflaschen, mit eingeschlifffenem Stopfen - braun
 Reagenční láhev širokohrdlá - prachovnice, se zabroušenou zátkou - hnědá

Code	Capacity (ml)	Diameter (mm)	Height (mm)	SJ	Packing (pcs)
632 414 204 050	50	41.5	76	24/20	40
632 414 204 100	100	51.5	95	29/22	48
632 414 204 250	250	69	128	34/24	30
632 414 204 500	500	85	162	45/27	15
632 414 204 940	1000	106.5	187	60/31	12
632 414 204 950	2000	132	238	60/31	6
632 414 244 956	5000 *	181	338	85/55	3
632 414 244 966	10000 *	227	403	85/55	1

Notice: Soda - lime glas, * Borosilicate glass

CULTURE FLASKS, ROUX, CENTRAL NECK



Kulturflaschen nach Roux, Hals in der Mitte
 Láhev na kultury dle Rouxe, s hrdlem uprostřed

Code	Capacity (ml)	Diameter (mm)	Height (mm)	Packing (pcs)
632 411 502 100	75	20	125	24
632 411 502 300	250	25	180	16
632 411 502 500	450	30	195	14
632 411 502 942	1000	32	255	6
632 411 502 950	2000	40	320	5

Notice: Borosilicate glass

CULTURE FLASKS, ROUX, NECK CONICAL IN THE MIDDLE, FORMED FOR STANDARD JOINT



Kulturflaschen nach Roux, Hals konisch in der Mitte, für Schliff vorbereitet
 Láhev na kultury dle Rouxe, hrdlo uprostřed, tvarováno na NZ

Code	Capacity (ml)	Height (mm)	SJ	Packing (pcs)
632 411 507 100	75	125	14/15	24
632 411 507 300	250	180	19/17	16
632 411 507 500	450	195	24/20	14
632 411 507 942	1000	255	24/20	6

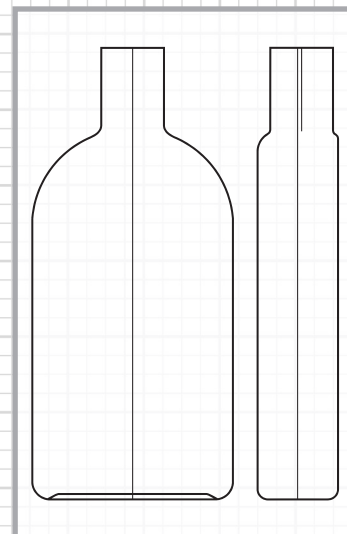
Notice: Borosilicate glass

CULTURE FLASKS, ROUX, SIDE NECK

Kulturflaschen nach Roux, mit Seitenhals

Láhev na kultury dle Rouxe, s hrdlem na straně

Code	Capacity (ml)	Diameter (mm)	Height (mm)	Packing (pcs)
632 411 503 300	250	25	180	16
632 411 503 500	450	30	195	14
632 411 503 942	1000	32	255	6
632 411 503 950	2000	40	320	5



Notice: Borosilicate glass

CULTURE FLASKS, ROUX, NECK CONICAL EXCENTRIC, FORMED FOR STANDARD JOINT

Kulturflaschen nach Roux, Hals konisch excentrisch, für Schliiff vorbereitet

Láhev na kultury dle Rouxe, hrdlo na straně, tvarováno na NZ

Code	Capacity (ml)	Height (mm)	SJ	Packing (pcs)
632 411 508 300	250	180	19/17	16
632 411 508 500	450	195	24/20	14
632 411 508 942	1000	255	24/20	6



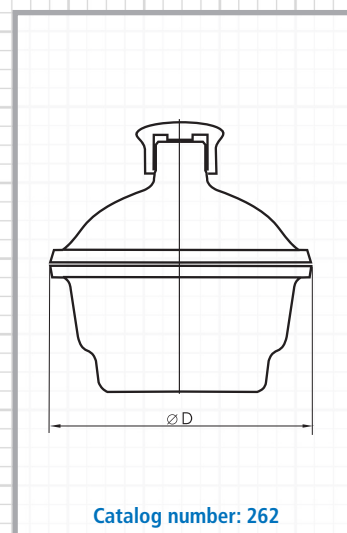
Notice: Borosilicate glass

DESICCATOR WITH PLASTIC KNOB

Exsikkatoren mit Kunststoffknopfdeckel ohne Porzellanplatte

Exsikátor s plastovým hmatníkem komplet bez desky

Code	Description	d/mm	Drawing	Packing (pcs)
632 415 262 111	100	151	5386	1
632 415 262 161	150	210	5386	1
632 415 262 211	200	269	5386	1
632 415 262 261	250	329	5386	1
632 415 262 302	300	392	5386	1

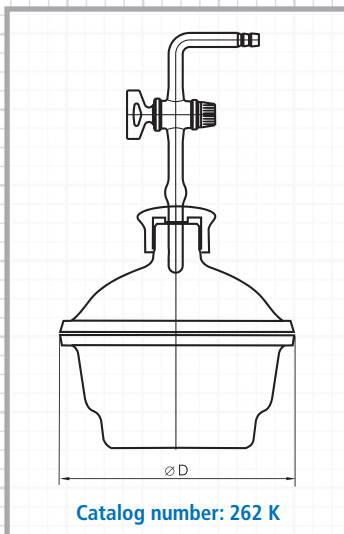


Catalog number: 262

Notice: Borosilicate glass

DESICCATORS

DESICCATOR LID WITH PLASTIC KNOB AND STOPCOCK, COMPLETE WITHOUT PLATE

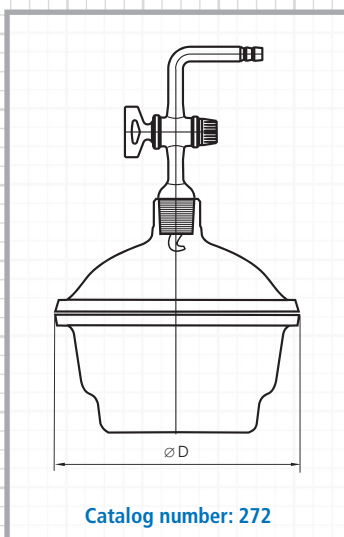


Exsikkatoren mit Kunststoffknopfdeckel, Glashahn, ohne Porzellanplatte
Exsikátor s plastovým hmatníkem a skleněným kohoutem, komplet bez desky

Code	Description	d/mm	Drawing	Packing (pcs)
632 415 262 112	100	153	5387	1
632 415 262 162	150	213	5387	1
632 415 262 212	200	272	5387	1
632 415 262 262	250	333	5387	1
632 415 262 303	300	395	5387	1

Notice: Borosilicate glass

DESICCATOR WITH TUBES (OUTLET) AND STOPCOCK SJ 24/29

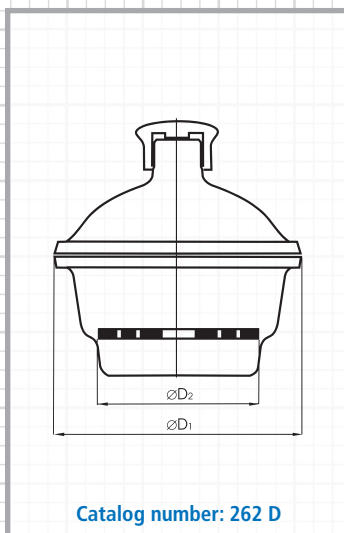


Exsikkatoren mit Tubus, Hahn NS 24/29 ohne Porzellanplatte
Exsikátor s tubusem NZ 24/29 a kohoutem, komplet bez desky

Code	Description	d/mm	Drawing	Packing (pcs)
632 415 262 170	100	153	5388	1
632 415 262 175	150	213	5388	1
632 415 262 225	200	272	5388	1
632 415 262 275	250	333	5388	1
632 415 262 335	300	395	5388	1

Notice: Borosilicate glass

DESICCATOR WITH PLASTIC KNOB AND PORCELAIN PLATE



Exsikkatoren mit Kunststoffknopfdeckel und Porzellanplatte
Exsikátor s plastovým hmatníkem a porcelánovou deskou

Code	Description	d ₁ /mm	d ₂ /mm	Drawing	Packing (pcs)
632 415 270 100	100	151	90	5389	1
632 415 270 150	150	210	140	5389	1
632 415 270 200	200	269	190	5389	1
632 415 270 250	250	329	240	5389	1
632 415 270 300	300	392	290	5389	1

Notice: Borosilicate glass

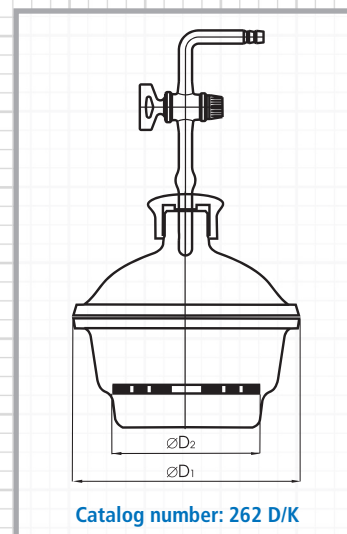
DESICCATOR WITH PLASTIC KNOB, STOPCOCK AND PORCELAIN PLATE

Exsikkatoren mit Kunststoffknopfdecke, Glashahn und Porzellanplatte

Exsikátor s plastovým hmatníkem, skleněným kohoutem a porcelánovou deskou

Code	Description	d,/mm	d,/mm	Drawing	Packing (pcs)
632 415 271 100	100	151	90	5390	1
632 415 271 150	150	210	140	5390	1
632 415 271 200	200	269	190	5390	1
632 415 271 250	250	329	240	5390	1
632 415 271 300	300	392	290	5390	1

Notice: Borosilicate glass

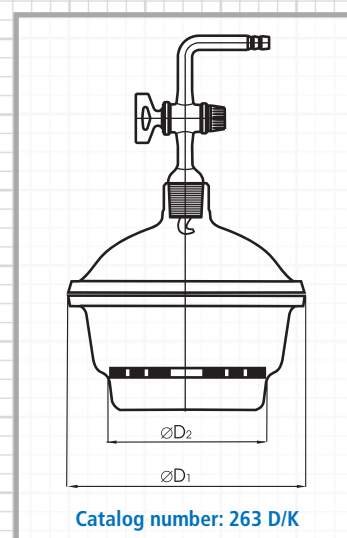
**DESICCATOR WITH TUBES (OUTLET) AND STOPCOCK SJ 24/29 AND PORCELAIN PLATE**

Exsikkatoren mit Tubus, Hahn NS 24/29 und Porzellanplatte

Exsikátor s tubusem, kohoutem NZ 24/29 a porcelánovou deskou

Code	Description	d,/mm	d,/mm	Drawing	Packing (pcs)
632 415 272 100	100	151	90	5391	1
632 415 272 150	150	210	140	5391	1
632 415 272 200	200	269	190	5391	1
632 415 272 250	250	329	240	5391	1
632 415 272 300	300	392	290	5391	1

Notice: Borosilicate glass

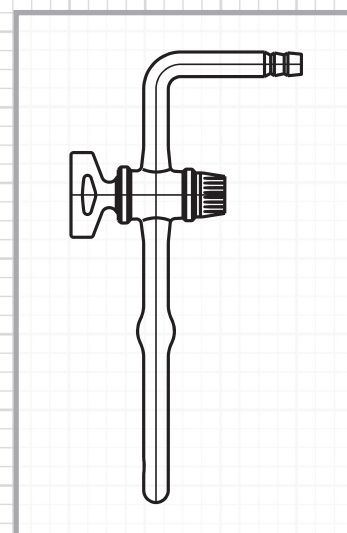
**STOPCOCK WITH GLASS KEY FOR DESICCATORS**

Exsikkatorenhahn mit Glasküken

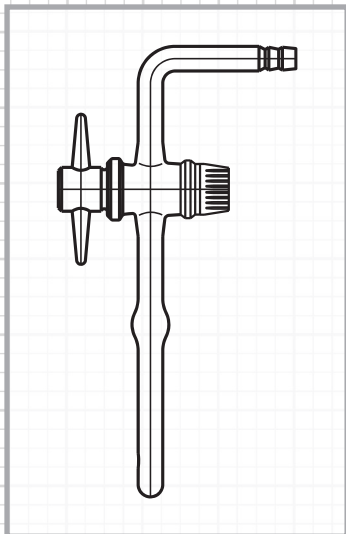
Kohout se skleněným kladívkem k exsikátoru

Code	SJ	Boring (mm)	Drawing	Packing (pcs)
632 441 254 232	12.5	2.5	5224	1

Notice: Borosilicate glass



STOPCOCK WITH PTFE KEY FOR DESICCATORS

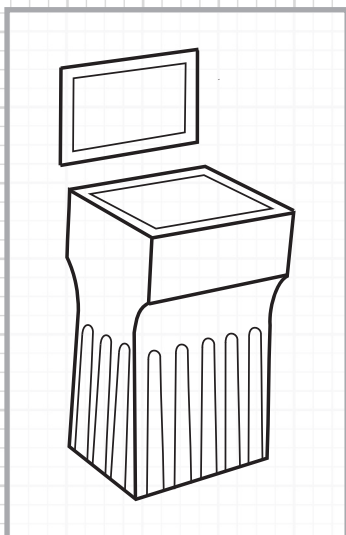


Exsikkatorenhahn mit PTFE Küen
Kohout s teflonovým kladívkem k exsikátoru

Code	SJ	Boring (mm)	Drawing	Packing (pcs)
632 441 254 218	12.5	2.5	5223	1

Notice: Borosilicate glass

JARS STAINING HELLENDAHL

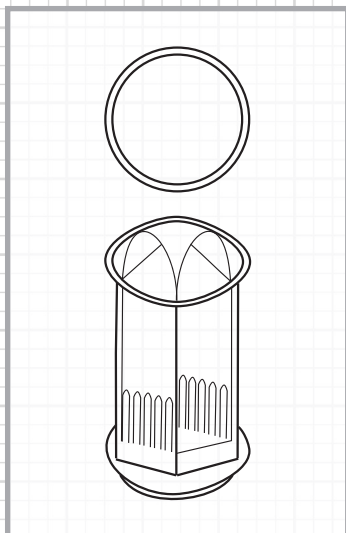


Färbekästen Hellendahl
Mikrodóza Hellendahl

Code	Height (mm)	Length (mm)	Width (mm)	Drawing	Packing (pcs)
632 951 002 954	100	63	43	5490	10

Notice: Neutral glass

JARS STAINING COPLIN



Färbekästen Coplin
Mikrodóza Coplin

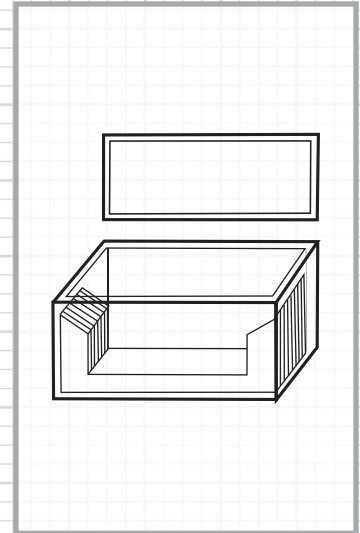
Code	Height (mm)	Diameter (mm)	Drawing	Packing (pcs)
632 951 002 959	115	73	5491	10

Notice: Neutral glass

JARS STAINING SCHIEFFERDECKER

Färbekästen nach Schieferdecker
Mikrodóza Schieferdecker

Code	Height (mm)	Length (mm)	Width (mm)	Drawing	Packing (pcs)
632 951 002 956	50	90	70	5492	10

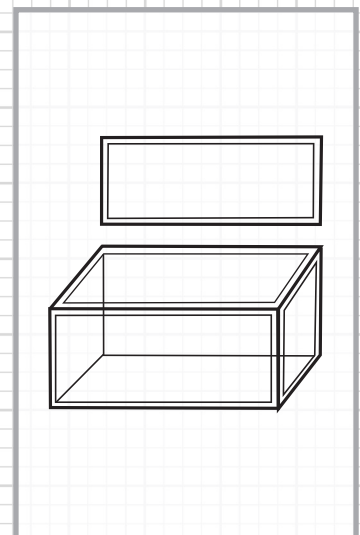


Notice: Neutral glass

JARS STAINING - WITHOUT INSERT

Färbekästen - ohne Paßstück
Mikrodóza bez vložky

Code	Height (mm)	Length (mm)	Width (mm)	Drawing	Packing (pcs)
632 951 002 960	74	105	85	5493	10

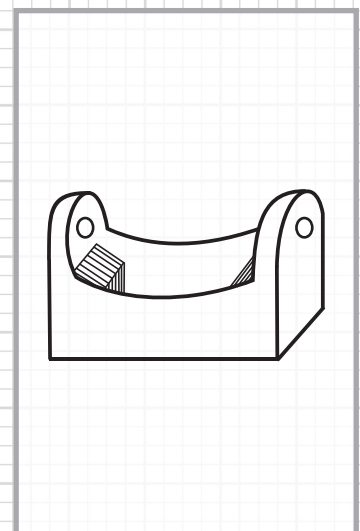


Notice: Neutral glass

INSERT FOR JARS STAINING

Paßstück für Färbekästen
Vložka pro mikrodózu

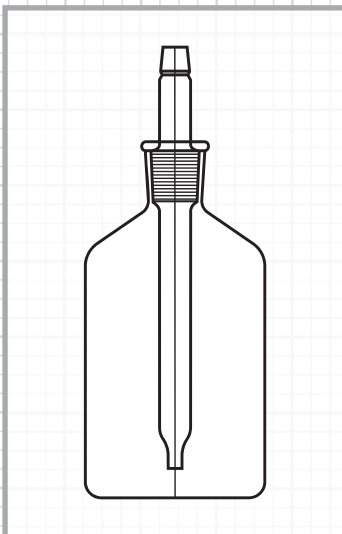
Code	Height (mm)	Length (mm)	Width (mm)	Drawing	Packing (pcs)
632 951 002 961	70	92	45	5493/1	10



Notice: Neutral glass

DROPPING BOTTLES

DROPPING BOTTLES WITH GROUND IN PIPETTE STOPPER - CLEAR

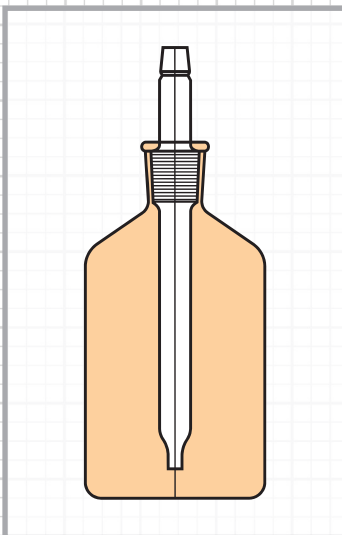


Tropfflasche mit austauschbarer Pipette NS, klar
Lahev indikátorová, se zabroušenou pipetou a NZ, čirá

Code	Capacity (ml)	Diameter (mm)	Height (mm)	SJ	Packing (pcs)
632 425 020 050	50	42	107	14/15	30
632 425 020 100	100	52	133	14/23	30
632 425 020 250	250	70	161	19/26	30

Notice: Soda-lime glass

DROPPING BOTTLES WITH GROUND IN PIPETTE STOPPER - AMBER

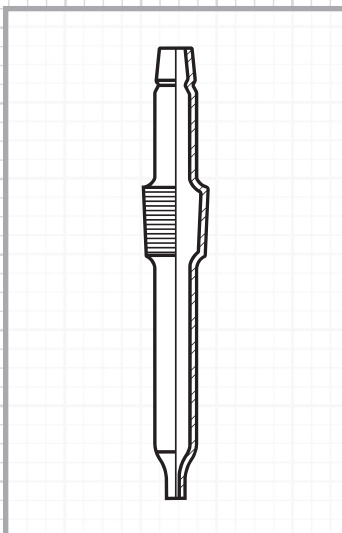


Tropfflasche mit austauschbarer Pipette NS, braun
Lahev indikátorová, se zabroušenou pipetou a NZ, hnědá

Code	Capacity (ml)	Diameter (mm)	Height (mm)	SJ	Packing (pcs)
632 425 023 050	50	42	107	14/15	30
632 425 023 100	100	52	133	14/23	30
632 425 023 250	250	70	161	19/26	30

Notice: Soda-lime glass

PIPETTE WITH SJ 14/15 FOR DROPPING BOTTLES



Pipette mit NS 14/15 für Tropfflasche
Pipeta s NZ 14/15 pro indikátorovou lahev

Code	Length (mm)	Drawing	Packing (pcs)
632 634 014 097	97 - for 50 ml bottle	3866.1	30
632 634 014 122	122 - for 100 ml bottle	3867.1	30

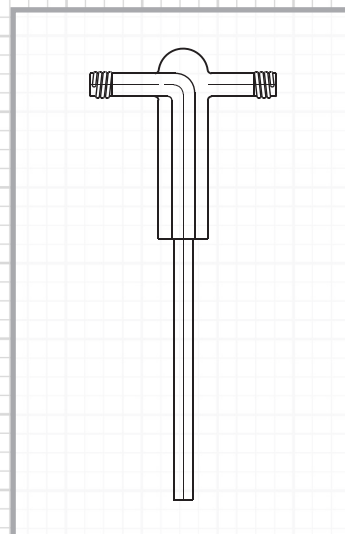
Notice: Borosilicate glass

ADAPTOR FOR BOTTLE GAS WASHING, DRECHSLER

Aufsatz für Gaswaschflasche nach Drechsler
Nástavec k promývače GL 45, dle Drechslera

Code	2x GL	Drawing	Packing (pcs)
632 449 905 016	14	5505	1

Notice: Borosilicate glass

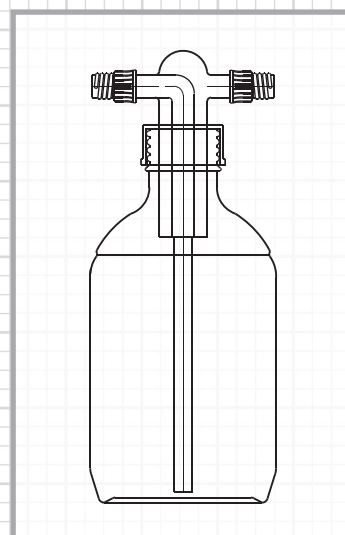


BOTTLE GAS WASHING, DRECHSLER-INCL. REAGENT BOTTLE

Gaswaschflasche nach Drechsler-inkl. Laborflasche
Promývačka s reagenční lahví, dle Drechslera

Code	Capacity	GL	Drawing	Packing (pcs)
632 414 905 500	500	45	5506	1

Notice: Borosilicate glass

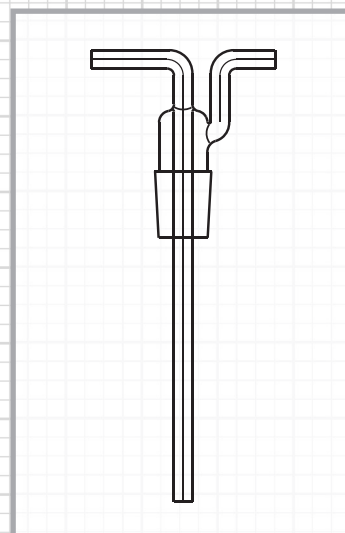


ADAPTOR FOR BOTTLE GAS WASHING, DRECHSLER-SJ 29/32

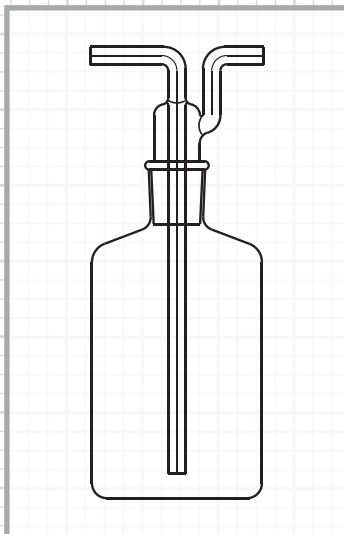
Aufsatz für Gaswaschflasche nach Drechsler-NS 29/32
Nástavec k promývače dle Drechslera-NZ 29/32

Code	SJ	Drawing	Packing (pcs)
632 449 905 002	29/32	5149	1

Notice: Borosilicate glass



BOTTLE GAS WASHING, DRECHSLER, SJ 29/32

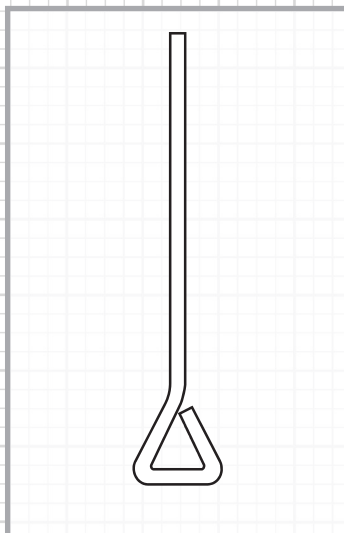


Gaswaschflasche nach Drechsler, NS 29/32
 Promývačka dle Drechslera, NZ 29/32

Code	Capacity	Drawing	Packing
632 414 906 100	100	5507	1
632 414 906 250	250	5507	1
632 414 907 500	500	5508	1
632 414 907 940	1000	5508	1

Notice: Borosilicate glass

SPATULA DRIGALSKI

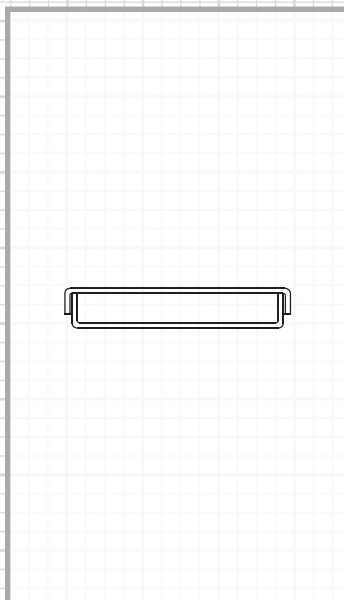


Drigalski-Spatel
 Drigalského trianĝl

Code	Length (mm)	Drawing	Packing (pcs)
632 443 110 000	150	3884	10

Notice: Borosilicate glass

PETRIDISH



Petrischale
 Petriho miska

Code	Diameter (mm)	Packing (pcs)
632 492 002 040	40/12	144
632 492 002 050	50/12	144
632 492 002 060	60/12	144
632 492 003 060	60/15	144
632 492 007 060	70/15	144
632 492 003 080	80/15	144
632 492 003 090	90/15	72
632 492 001 100	100/10	72
632 492 003 100	100/15	72
632 492 004 100	100/20	72
632 492 004 120	120/20	72
632 492 005 150	150/25	36
632 492 006 180	180/30	9
632 492 006 200	200/30	10
632 492 008 200	200/50	7

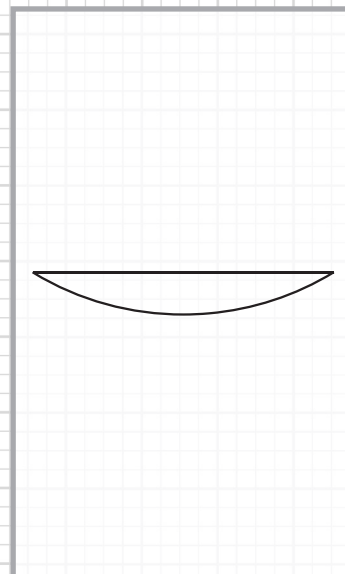
Notice: Neutral glass

WATCH GLASS

Uhrglas
Hodinové sklo

Code	Diameter (mm)	Wall thickness (mm)	Packing (pcs)
632 950 430 040	40	1.8	10
632 950 430 050	50	1.8	10
632 950 430 060	60	1.8	10
632 950 430 070	70	1.8	10
632 950 430 080	80	1.8	10
632 950 430 090	90	1.8	10
632 950 430 100	100	1.8	10
632 950 430 110	110	1.8	10
632 950 430 120	120	1.8	10
632 950 430 125	125	1.8	10
632 950 430 140	140	1.8	10
632 950 430 150	150	1.8	10
632 950 430 160	160	1.8	10
632 950 430 175	175	1.8	10
632 950 430 200	200	1.8	10
632 950 430 250	250	1.8	5
632 950 430 300	300	1.8	5

Notice: Neutral glass

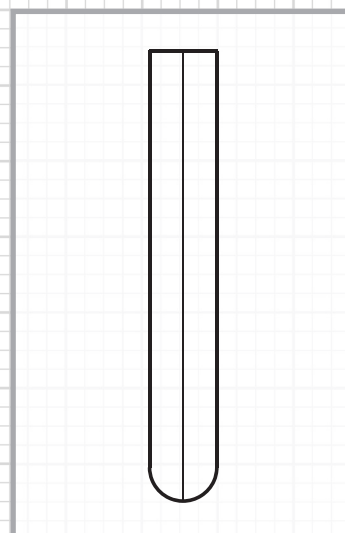


TEST TUBES WITHOUT RIM, ROUND BOTTOM

Reagenzgläser ohne Rand, mit rundem Boden
Zkumavka s rovným okrajem, s kulatým dnem

Code	Diameter (mm)	Length (mm)	Wall thickness (mm)	Drawing	Packing (pcs)
632 424 012 075	12	75	0.60	5395	250
632 424 016 100	16	100	0.80	5396	100
632 424 016 160	16	160	0.80	5396	100
632 424 016 161	16	160	1.20	5396/1	100
632 424 018 180	18	180	0.80	5397	100
632 424 020 180	20	180	0.80	5398	100

Notice: Soda-lime glass



TEST TUBES WITH RIM, ROUND BOTTOM

Reagenzgläser mit Rand, mit rundem Boden
Zkumavka s vyhrnutým okrajem, s kulatým dnem

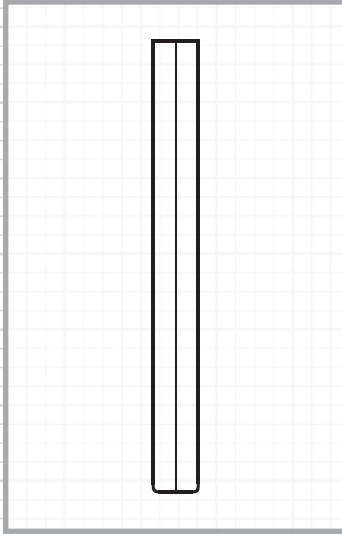
Code	Diameter (mm)	Length (mm)	Wall thickness (mm)	Drawing	Packing (pcs)
632 424 110 100	10	100	0.60	5399	250
632 424 116 160	16	160	0.80	5400	100

Notice: Soda-lime glass



TEST TUBES

TEST TUBES WITH FLAT BOTTOM

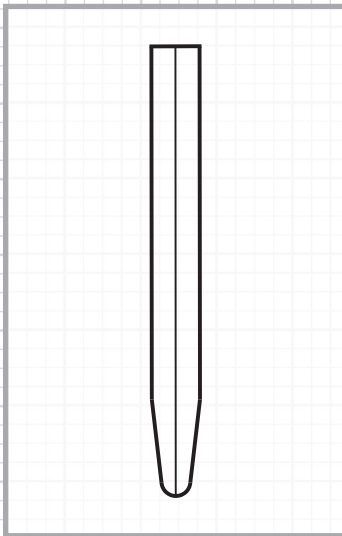


Reagenzgläser mit flachem Boden
Zkumavka s plochým dnem

Code	Diameter (mm)	Length (mm)	Wall thickness (mm)	Drawing	Packing (pcs)
632 424 608 052	8	52	0.50	5401	880
632 424 610 050	10	50	0.60	5402	248
632 424 615 050	15.5	50	0.65	5403	374

Notice: Soda-lime glass

CENTRIFUGE TUBES

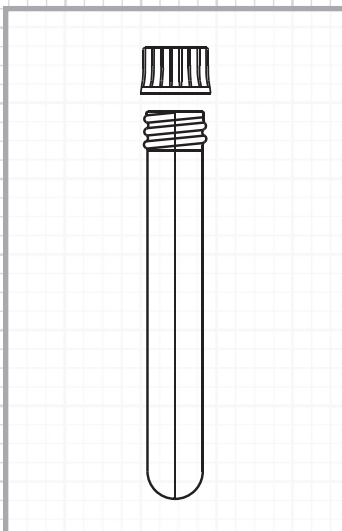


Zentrifugengläser
Centrifugační zkumavka

Code	Diameter (mm)	Length (mm)	Wall thickness (mm)	Drawing	Packing (pcs)
632 424 516 100	16	100	1.00	5404	100

Notice: Soda-lime glass

CULTURE TUBES WITH BLACK CAP - AUTOCLAVABLE BY 121 °C



Kulturröhrchen mit schwarze Schraubkappe - Sterilisierbar bei 121 °C
Zkumavka pro kultury s černým uzávěrem - lze sterilizovat při 121 °C

Code	Diameter (mm)	Length (mm)	Wall thickness (mm)	GL	Drawing	Packing (pcs)
632 424 316 100	16	100	1.00	18	5489	100
632 424 316 125	16	125	1.00	18	5489	100
632 424 316 160	16	160	1.00	18	5489	100

Notice: Soda-lime glass

TEST TUBES WITHOUT RIM, ROUND BOTTOM

Reagenzgläser ohne Rand, mit rundem Boden

Zkumavka s rovným okrajem, s kulatým dnem

Code	Diameter (mm)	Length (mm)	W.thickness (mm)	Drawing	Packing (pcs)
632 422 006 050	6	50	1.0	3599	100
632 422 006 080	6	80	1.0	3599	100
632 422 006 100	6	100	1.0	3599	100
632 422 006 120	6	120	1.0	3599	100
632 422 007 080	7	80	1.0	3600	100
632 422 007 100	7	100	1.0	3600	100
632 422 007 120	7	120	1.0	3600	100
632 422 008 075	8	75	1.0	3105	100
632 422 008 080	8	80	1.0	3105	100
632 422 008 100	8	100	1.0	3105	100
632 422 008 120	8	120	1.0	3105	100
632 422 009 080	9	80	1.0	3601	100
632 422 009 100	9	100	1.0	3601	100
632 422 009 120	9	120	1.0	3601	100
632 422 010 075	10	75	1.0	2206	100
632 422 010 080	10	80	1.0	2206	100
632 422 010 100	10	100	1.0	2206	100
632 422 010 120	10	120	1.0	2206	100
632 422 010 140	10	140	1.0	2206	100
632 422 010 160	10	160	1.0	2206	100
632 422 011 080	11	80	1.0	3106	100
632 422 011 100	11	100	1.0	3106	100
632 422 011 120	11	120	1.0	3106	100
632 422 011 140	11	140	1.0	3106	100
632 422 011 160	11	160	1.0	3106	100
632 422 012 075	12	75	1.0	2207	100
632 422 012 080	12	80	1.0	2207	100
632 422 012 100	12	100	1.0	2207	100
632 422 012 120	12	120	1.0	2207	100
633 422 012 121	12	120	1.5	2207/2	100
632 422 012 140	12	140	1.0	2207	100
632 422 012 141	12	140	1.5	2207/2	100
632 422 012 150	12	150	1.0	2207	100
632 422 012 160	12	160	1.0	2207	100
632 422 012 161	12	160	1.5	2207/2	100
632 422 012 250	12	250	1.0	2207	100
632 422 013 075	13	75	1.0	3139	100
632 422 013 080	13	80	1.0	3139	100
632 422 013 100	13	100	1.0	3139	100
632 422 013 120	13	120	1.0	3139	100
632 422 013 130	13	130	1.0	3139	100
632 422 013 140	13	140	1.0	3139	100
632 422 013 160	13	160	1.0	3139	100
632 422 014 075	14	75	1.0	3140	100
632 422 014 080	14	80	1.0	3140	100
632 422 014 090	14	90	1.0	3140	100
632 422 014 100	14	100	1.0	3140	100
632 422 014 101	14	100	1.5	3140/2	100
632 422 014 120	14	120	1.0	3140	100
632 422 014 121	14	120	1.5	3140/2	100
632 422 014 130	14	130	1.0	3140	100
632 422 014 140	14	140	1.0	3140	100
632 422 014 141	14	140	1.5	3140/2	100
632 422 014 160	14	160	1.0	3140	100
632 422 014 161	14	160	1.5	3140/2	100
632 422 015 100	15	100	1.2	3142	100
632 422 015 120	15	120	1.2	3142	100
632 422 015 140	15	140	1.2	3142	100
632 422 015 160	15	160	1.2	3142	100
632 422 015 180	15	180	1.2	3142	100
632 422 016 100	16	100	1.2	3143	100
632 422 016 101	16	100	1.8	3143/2	100
632 422 016 120	16	120	1.2	3143	100
632 422 016 121	16	120	1.8	3143/2	100
632 422 016 125	16	125	1.2	3143	100
632 422 016 140	16	140	1.2	3143	100
632 422 016 141	16	140	1.8	3143/2	100
632 422 016 150	16	150	1.2	3143	100
632 422 016 160	16	160	1.2	3143	100
632 422 016 161	16	160	1.8	3143/2	100
632 422 016 180	16	180	1.2	3143	100
632 422 016 181	16	180	1.8	3143/2	100
632 422 016 220	16	220	1.2	3143	100

Notice: Borosilicate glass



Catalog number: 2800

TEST TUBES WITHOUT RIM, ROUND BOTTOM

Reagenzgläser ohne Rand, mit rundem Boden
Zkumavka s rovným okrajem, s kulatým dnem

Code	Diameter (mm)	Length (mm)	W.thickness (mm)	Drawing	Packing (pcs)
632 422 017 100	17	100	1.2	3144	100
632 422 017 101	17	100	1.8	3144/2	100
632 422 017 120	17	120	1.2	3144	100
632 422 017 121	17	120	1.8	3144/2	100
632 422 017 140	17	140	1.2	3144	100
632 422 017 141	17	140	1.8	3144/2	100
632 422 017 160	17	160	1.2	3144	100
632 422 017 161	17	160	1.8	3144/2	100
632 422 017 180	17	180	1.2	3144	100
632 422 017 181	17	180	1.8	3144/2	100
632 422 018 100	18	100	1.2	3145	100
632 422 018 101	18	100	1.8	3145/2	100
632 422 018 120	18	120	1.2	3145	100
632 422 018 121	18	120	1.8	3145/2	100
632 422 018 140	18	140	1.2	3145	100
632 422 018 141	18	140	1.8	3145/2	100
632 422 018 160	18	160	1.2	3145	100
632 422 018 161	18	160	1.8	3145/2	100
632 422 018 180	18	180	1.2	3145	100
632 422 018 181	18	180	1.8	3145/2	100
632 422 019 100	19	100	1.2	3146	100
632 422 019 101	19	100	1.8	3146/2	100
632 422 019 120	19	120	1.2	3146	100
632 422 019 121	19	120	1.8	3146/2	100
632 422 019 140	19	140	1.2	3146	100
632 422 019 141	19	140	1.8	3146/2	100
632 422 019 160	19	160	1.2	3146	100
632 422 019 161	19	160	1.8	3146/2	100
632 422 019 180	19	180	1.2	3146	100
632 422 019 181	19	180	1.8	3146/2	100
632 422 020 100	20	100	1.2	3147	100
632 422 020 101	20	100	1.8	3147/2	100
632 422 020 120	20	120	1.2	3147	100
632 422 020 121	20	120	1.8	3147/2	100
632 422 020 140	20	140	1.2	3147	100
632 422 020 141	20	140	1.8	3147/2	100
632 422 020 160	20	160	1.2	3147	100
632 422 020 161	20	160	1.8	3147/2	100
632 422 020 180	20	180	1.2	3147	100
632 422 020 181	20	180	1.8	3147/2	100
632 422 020 200	20	200	1.2	3147	100
632 422 022 100	22	100	1.2	3148	100
632 422 022 101	22	100	1.8	3148/2	100
632 422 022 120	22	120	1.2	3148	100
632 422 022 121	22	120	1.8	3148/2	100
632 422 022 140	22	140	1.2	3148	100
632 422 022 141	22	140	1.8	3148/2	100
632 422 022 160	22	160	1.2	3148	100
632 422 022 161	22	160	1.8	3148/2	100
632 422 022 180	22	180	1.2	3148	100
632 422 022 181	22	180	1.8	3148/2	100
632 422 022 200	22	200	1.2	3148	100
632 422 022 221	22	220	1.8	3148/2	100
632 422 024 100	24	100	1.2	3149	100
632 422 024 101	24	100	1.8	3149/2	100
632 422 024 120	24	120	1.2	3149	100
632 422 024 121	24	120	1.8	3149/2	100
632 422 024 140	24	140	1.2	3149	100
632 422 024 141	24	140	1.8	3149/2	100
632 422 024 160	24	160	1.2	3149	100
632 422 024 161	24	160	1.8	3149/2	100
632 422 024 180	24	180	1.2	3149	100
632 422 024 181	24	180	1.8	3149/2	100
632 422 024 200	24	200	1.2	3149	100
632 422 024 250	24	250	1.2	3149	100
632 422 024 350	24	350	1.2	3149	100
632 422 026 160	26	160	1.4	3603	100
632 422 026 180	26	180	1.4	3603	100
632 422 030 200	30	200	1.4	3604	100
632 422 030 250	30	250	1.4	3604	100
632 422 034 120	34	120	1.4	3605	100
632 422 034 140	34	140	1.4	3605	100



Catalog number: 2800

Notice: Borosilicate glass

TEST TUBES WITH RIM, ROUND BOTTOM

Reagenzgläser mit aufgetriebenem Rand, mit rundem Boden
 Zkumavka s vyhrnutým okrajem, s kulatým dnem

Code	Diameter (mm)	Length (mm)	W.thickness (mm)	Drawing	Packing (pcs)
632 422 108 080	8	80	1.0	3105/1	100
632 422 108 100	8	100	1.0	3105/1	100
632 422 108 120	8	120	1.0	3105/1	100
632 422 110 075	10	75	1.0	2206/1	100
632 422 110 100	10	100	1.0	2206/1	100
632 422 111 100	11	100	1.0	3106/1	100
632 422 112 075	12	75	1.0	2207/1	100
632 422 112 100	12	100	1.0	2207/1	100
632 422 112 120	12	120	1.0	2207/1	100
632 422 112 160	12	160	1.0	2207/1	100
632 422 113 120	13	120	1.0	3139/1	100
632 422 113 160	13	160	1.0	3139/1	100
632 422 114 120	14	120	1.0	3140/1	100
632 422 114 130	14	130	1.0	3140/1	100
632 422 114 140	14	140	1.0	3140/1	100
632 422 114 160	14	160	1.0	3140/1	100
632 422 115 120	15	120	1.2	3142/1	100
632 422 115 160	15	160	1.2	3142/1	100
632 422 115 200	15	200	1.2	3142/1	100
633 422 115 250	15	250	1.2	3142/1	100
632 422 116 100	16	100	1.2	3143/1	100
632 422 116 120	16	120	1.2	3143/1	100
632 422 116 125	16	125	1.2	3143/1	100
632 422 116 150	16	150	1.2	3143/1	100
632 422 116 160	16	160	1.2	3143/1	100
632 422 117 120	17	120	1.2	3144/1	100
632 422 117 160	17	160	1.2	3144/1	100
632 422 118 120	18	120	1.2	3145/1	100
632 422 118 150	18	150	1.2	3145/1	100
632 422 118 160	18	160	1.2	3145/1	100
632 422 118 180	18	180	1.2	3145/1	100
632 422 118 200	18	200	1.2	3145/1	100
632 422 119 120	19	120	1.2	3146/1	100
632 422 119 160	19	160	1.2	3146/1	100
632 422 120 120	20	120	1.2	3147/1	100
632 422 120 150	20	150	1.2	3147/1	100
632 422 120 160	20	160	1.2	3147/1	100
632 422 120 180	20	180	1.2	3147/1	100
632 422 120 200	20	200	1.2	3147/1	100
632 422 120 241	20	240	1.8	3147/3	100
632 422 120 281	20	280	1.8	3147/3	100
632 422 122 120	22	120	1.2	3148/1	100
632 422 122 160	22	160	1.2	3148/1	100
632 422 122 200	22	200	1.2	3148/1	100
632 422 124 120	24	120	1.2	3149/1	100
632 422 124 150	24	150	1.2	3149/1	100
632 422 124 160	24	160	1.2	3149/1	100
632 422 124 200	24	200	1.2	3149/1	100
632 422 124 101	24	100	1.8	3149/3	100
632 422 124 151	24	150	1.8	3149/3	100

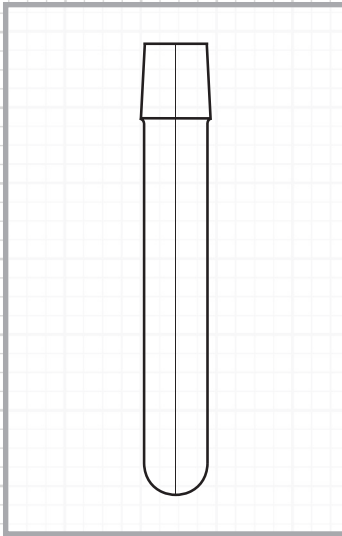
Notice: Borosilicate glass



Catalog number: 2802

TEST TUBES

TEST TUBE FOR MICROBIOLOGY- WITHOUT PLUG

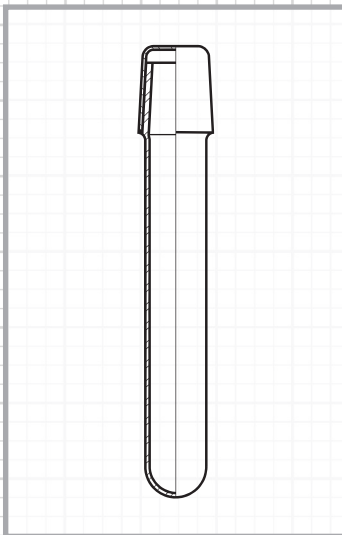


Reagenzglas für Mikrobiologie - ohne Kappe
Mikrobiologická zkumavka bez zátky

Code	Diameter (mm)	Length (mm)	Wall thickness (mm)	Drawing	Packing (pcs)
632 422 717 120	17	120	1.2	3858	10
632 422 717 160	17	160	1.2	3858/1	10

Notice: Borosilicate glass

TEST TUBE FOR MICROBIOLOGY - WITH PLUG

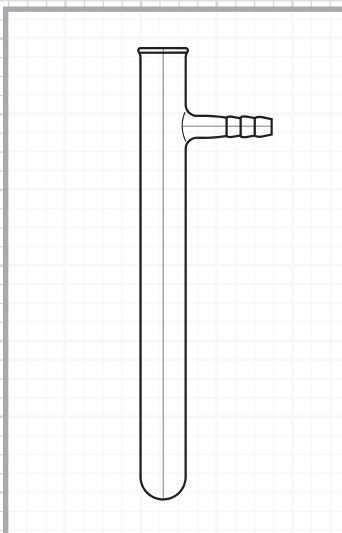


Reagenzglas für Mikrobiologie - mit Kappe
Mikrobiologická zkumavka se zátkou

Code	Diameter (mm)	Length (mm)	Wall thickness (mm)	Drawing	Packing (pcs)
632 422 717 121	17	120	1.2	3858/A	10
632 422 717 161	17	160	1.2	3858/1A	10

Notice: Borosilicate glass

TEST TUBE WITH HOSE CONNECTION - WITH RIM



Reagenzglas mit Olive - mit Rand
Zkumavka s olivkou - s vyhrnutým okrajem

Code	Diameter (mm)	Length (mm)	Wall thickness (mm)	Hose connection \varnothing (mm)	Drawing	Packing (pcs)
632 437 016 160	16	160	1.2	8	3830	5
632 437 018 180	18	180	1.2	8	2268	5
632 437 020 180	20	180	1.2	8	2269.1	5

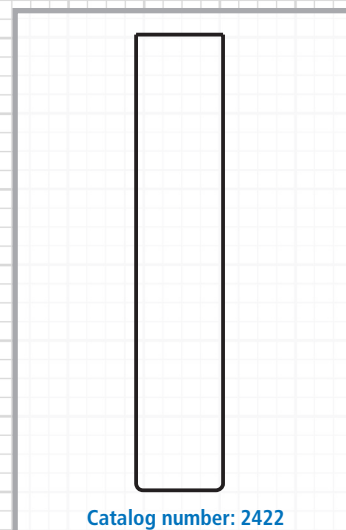
Notice: Borosilicate glass

TEST TUBES WITH FLAT BOTTOM

Reagenzgläser mit flachem Boden
Zkumavka s plochým dnem

Code	Diameter (mm)	Length (mm)	W.thickness (mm)	Drawing	Packing (pcs)
632 422 609 100	9	100	1.0	3185	100
632 422 610 100	10	100	1.0	3186	100
632 422 612 120	12	120	1.0	3187	100
632 422 614 140	14	140	1.0	3188	100
632 422 616 160	16	160	1.2	3189	100
632 422 618 180	18	180	1.2	3190	100

Notice: Borosilicate glass

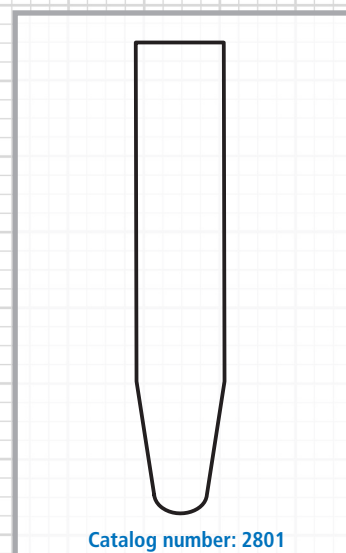


CENTRIFUGE TUBES

Zentrifugengläser
Centrifugační zkumavka

Code	Diameter (mm)	Length (mm)	W.thickness (mm)	Drawing	Packing (pcs)
632 422 510 075	10	75	1.0	3192	100
632 422 510 100	10	100	1.0	3192	100
632 422 512 075	12	75	1.0	3193	100
632 422 512 100	12	100	1.0	3193	100
632 422 513 100	13	100	1.0	3194	100
632 422 516 100	16	100	1.2	3195	100
632 422 516 125	16	125	1.2	3195	100
632 422 516 150	16	150	1.2	3195	100
632 422 516 160	16	160	1.2	3195	100
632 422 518 150	18	150	1.2	3196	100
632 422 518 180	18	180	1.2	3196	100

Notice: Borosilicate glass

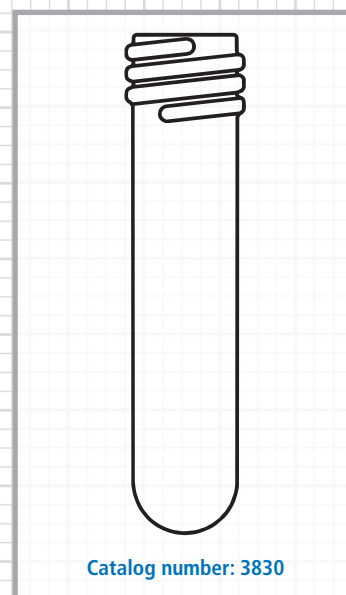


TEST TUBES WITH ROUND BOTTOM, SCREW GL 18

Reagenzgläser mit rundem Boden, Gewinde GL 18
Zkumavka s kulatým dnem, závit GL 18

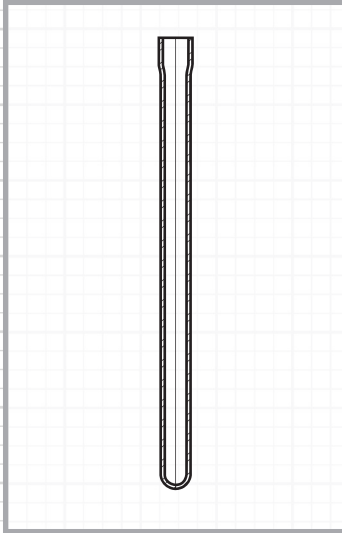
Code	Diameter (mm)	Length (mm)	W.thickness (mm)	Drawing	Packing (pcs)
632 422 986 100	16	100	1.8	3596	100
632 422 986 120	16	120	1.8	3596	100
632 422 986 160	16	160	1.8	3596	100

Notice: Borosilicate glass



TEST TUBES

AMPULE FOR LYOFILIZATION

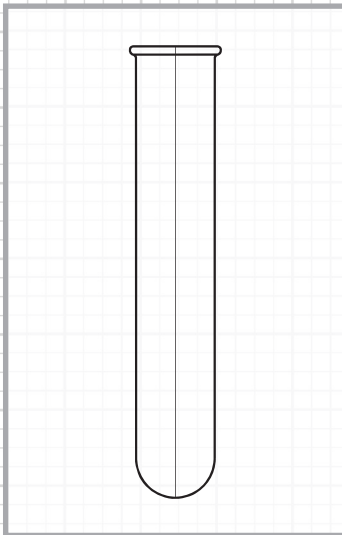


Ampulle für lyofilization
Lyofilizační ampule

Code	Diameter (mm)	Length (mm)	Wall thickness (mm)	Drawing	Packing (pcs)
632 633 208 120	8	120	1.1	3212	10

Notice: Soda-lime glass

FALLING NUMBER TEST TUBE

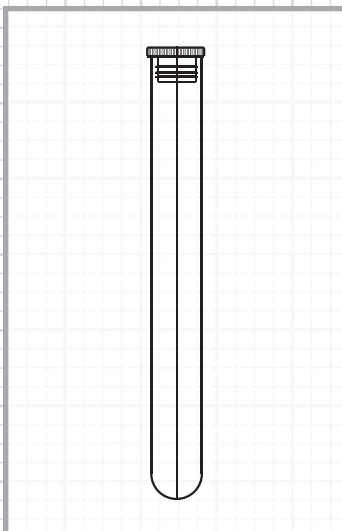


Sinkzahlen nach PN - ISO 3093 - Mehlanalyse
Viskozimetrická zkumavka na stanovení pádového čísla - Zkumavka na mouku

Code	Inside Diameter (mm)	Length inside (mm)	Wall thickness (mm)	Drawing	Packing (pcs)	ČSN - ISO 3093
632 422 117 222	21 ± 0,02	220 ± 0,3	1.4	1389/B-1.1	10	

Notice: Borosilicate glass

TEST TUBES FOR VANILLA BEANS - WITH PLASTIC PLUG



Reagenzgläser für Vanillehülle - mit Plastikstopfen
Zkumavka pro vanilkové lusky - s plastovou zátkou

Code	Diameter (mm)	Length (mm)	Wall thickness (mm)	Drawing	Packing (pcs)
632 422 716 075	16	75	1,2	3143/4	100
632 422 716 140	16	140	1,2	3143/4	100
632 422 716 150	16	150	1,2	3143/4	100
632 422 716 160	16	160	1,2	3143/4	100
632 422 716 170	16	170	1,2	3143/4	100
632 422 716 180	16	180	1,2	3143/4	100

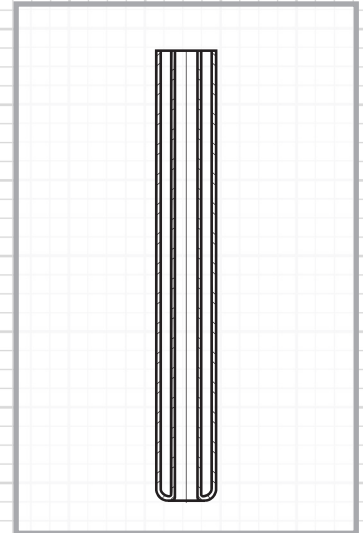
Notice: Borosilicate glass

HOLLOW TUBE - DOUBLE TEST TUBE

Hohlröhre - Doppel-Reagenzglas
Dvojitá zkumavka

Code	Diameter (mm)	Length (mm)	Wall thickness (mm)	Drawing	Packing (pcs)
632 433 711 040	16	40	1.2	4130	10
632 433 711 080	16	80	1.2	4130	10
632 433 711 120	16	120	1.2	4130	10

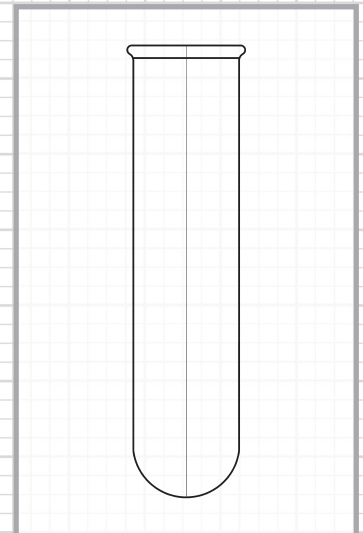
Notice: Borosilicate glass

**SAMPLE TUBE FOR DIGESTERS**

Aufschlussglas
Zkumavka pro digestory

Code	Diameter (mm)	Length (mm)	W.thickness (mm)	Drawing	Packing (pcs)
632 422 142 300	42	300	1.8	4573	10

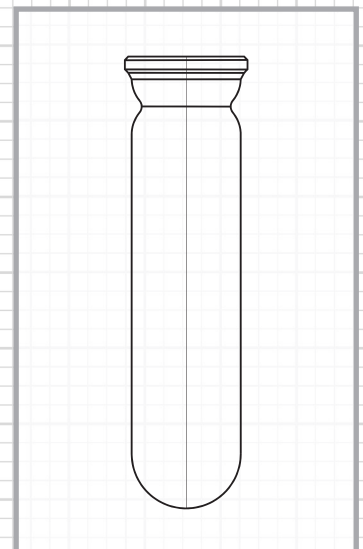
Notice: Borosilicate glass

**SAMPLE TUBE FOR DIGESTERS**

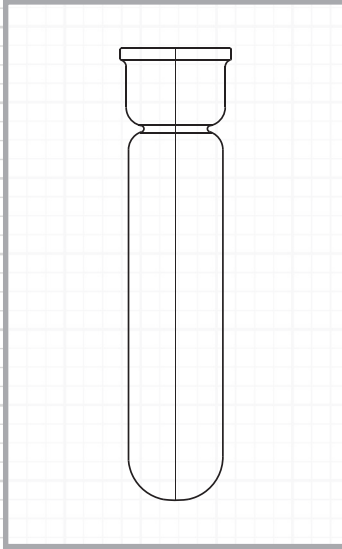
Aufschlussglas
Zkumavka pro digestory

Code	Diameter (mm)	Length (mm)	Wall thickness (mm)	Drawing	Packing (pcs)
632 422 148 260	48	260	2.3	4574	10

Notice: Borosilicate glass



SAMPLE TUBE FOR DIGESTERS

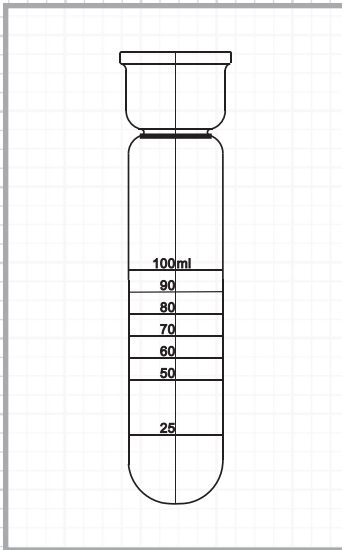


Aufschlussglas
Zkumavka pro digestory

Code	Diameter (mm)	Length (mm)	Wall thickness (mm)	Drawing	Packing (pcs)
632 442 540 301	42	299	2,3	2974/1	10

Notice: Borosilicate glass

SAMPLE TUBE FOR DIGESTERS WITH GRADUATION

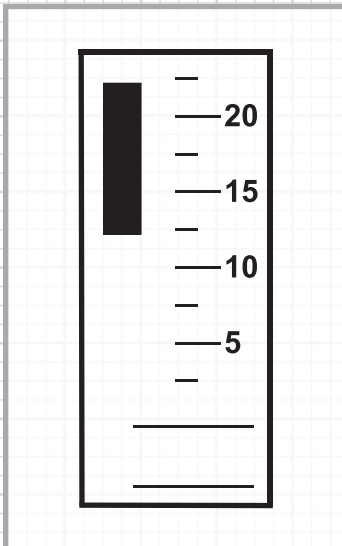


Aufschlussglas mit Graduation
Zkumavka pro digestory s graduací

Code	Diameter (mm)	Length (mm)	Wall thickness (mm)	Drawing	Packing (pcs)
632 442 540 300	42	299	2,3	2974/2	10

Notice: Borosilicate glass

TEST VESSEL FOR POWDER FLOW ANALYSE



Glasrohr für Pulverfluss-Analyse
Trubice pro analýzu tokových vlastností práškových materiálů

Code	Capacity (ml)	Inside Diameter (mm)	Length (mm)	Drawing	Packing (pcs)
632 634 012 025	25	25 +/- 0,03	60	4576	10

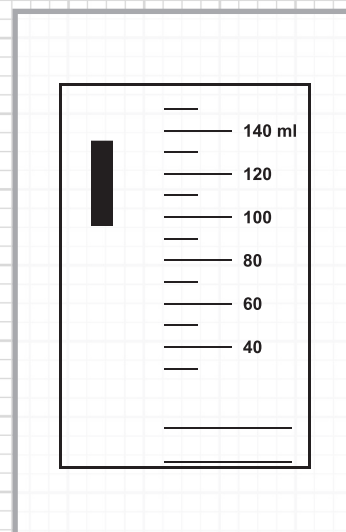
Notice: Borosilicate glass

TEST VESSEL FOR POWDER FLOW ANALYSE

Glasrohr für Pulverfluss-Analyse

Trubice pro analýzu tokových vlastností práškových materiálů

Code	Capacity (ml)	Inside Diameter (mm)	Length (mm)	Drawing	Packing (pcs)
632 634 012 160	160	50 ± 0,04	89	4575	10



Notice: Borosilicate glass

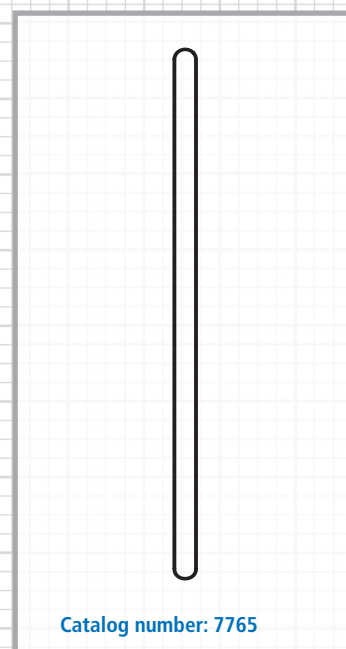
RODS WITH FLAMED ENDS

Glasstäbe, abgeschmolzen

Tyčinka otavená

Code	Diameter (mm)	Length (mm)	Drawing	Packing (pcs)
632 522 203 501	4	100	1427	20
632 522 203 502	4	200	1427	20
632 522 204 501	5	100	1428	20
632 522 204 502	5	200	1428	20
632 522 201 500	5	250	1429	20
632 522 204 503	5	300	1428	20
632 522 205 501	6	100	1430	20
632 522 205 502	6	200	1430	20
632 522 206 505	6	250	1431	20
632 522 205 503	6	300	1430	20
632 522 205 504	6	400	1430	20
632 522 206 501	7	100	1432	20
632 522 206 502	7	200	1432	20
632 522 201 507	7	250	4273	20
632 522 206 503	7	300	1432	20
632 522 206 504	7	400	1432	20
632 522 207 501	8	100	1433	20
632 522 207 502	8	200	1433	20
632 522 201 505	8	250	1434	20
632 522 207 503	8	300	1433	20
632 522 207 504	8	400	1433	20
632 522 207 507	8	500	1433	20
632 522 209 001	9	100	2483	20
632 522 209 002	9	200	2483	20
632 522 209 003	9	300	2483	20
632 522 209 004	9	400	2483	20

Notice: Borosilicate glass



Catalog number: 7765

RODS WITH FLAMED PADDLE WITHOUT GRID

Glasstäbe mit Platte ohne Raster

Tyčinka s lopatkou bez rastru

Code	Diameter (mm)	Length (mm)	Drawing	Packing (pcs)
632 522 273 552	4	50-55	3111	20
632 522 213 565	4	65	3112	20
632 522 273 501	4	100	3108	20
632 522 213 562	5	60-65	3113	20

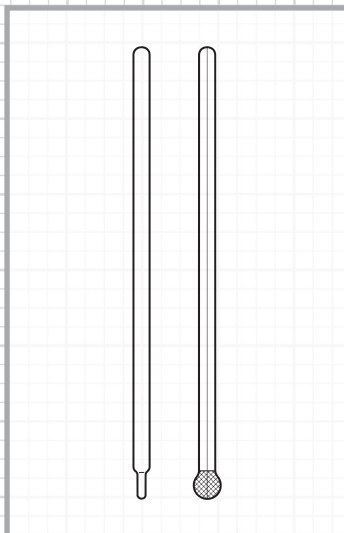
Notice: Borosilicate glass



Catalog number: 3150

RODS

RODS WITH FLAMED PADDLE AND GRID

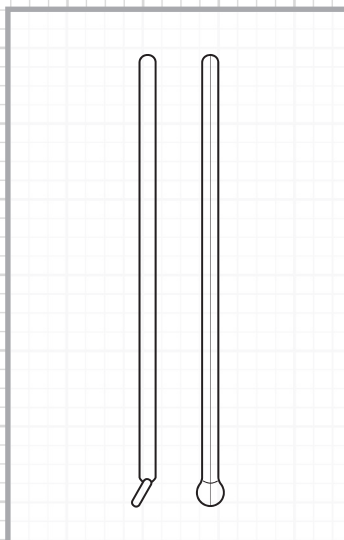


Glasstäbe mit Platte mit Raster
Tyčinka s lopatkou s rastrem

Code	Diameter (mm)	Length (mm)	Drawing	Packing (pcs)
632 522 217 520	6	125	1474	20
632 522 217 522	6	150	1475	20
632 522 217 529	6	200	1476	20
632 522 217 532	6	300	1553	20

Notice: Borosilicate glass

RODS WITH FLAMED AND BENDED PADDLE, WITHOUT GRID

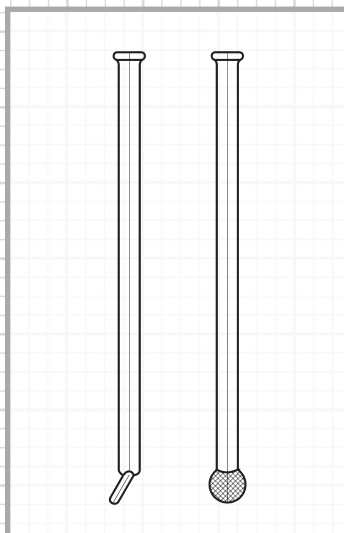


Glasstäbe mit gebogener Platte, ohne Raster
Tyčinka se zahnutou lopatkou, bez rastru

Code	Diameter (mm)	Length (mm)	Drawing	Packing (pcs)
632 522 215 530	6	150	1225	20

Notice: Borosilicate glass

RODS WITH FLAMED AND BENDED PADDLE, WITH GRID



Glasstäbe mit gebogener Platte, mit dem Raster
Tyčinka se zahnutou lopatkou a rastrem

Code	Diameter (mm)	Length (mm)	Drawing	Packing (pcs)
632 522 225 523	6	150	1148	20

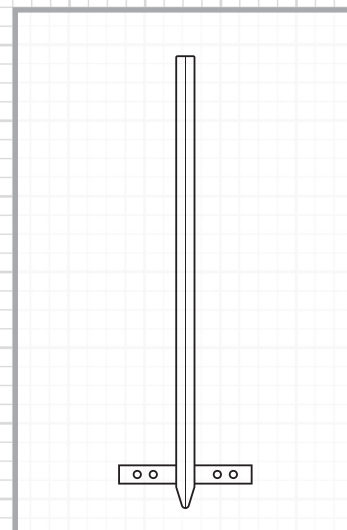
Notice: Borosilicate glass

STIRRER WITH 2 PERFORATED PADDLES

Rührer mit 2 perforierten Flügeln
 Michadlo se 2 děrovanými křídélky

Code	Diameter (mm)	Length (mm)	Drawing	Packing (pcs)
632 443 106 000	8	300	4341	20

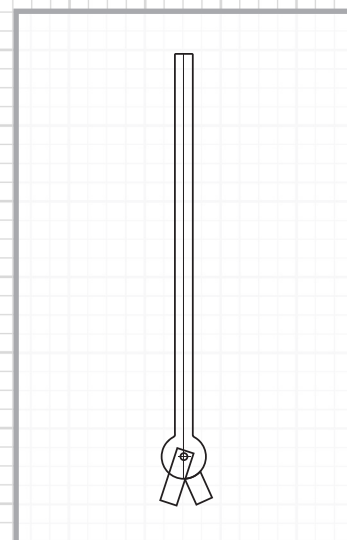
Notice: Borosilicate glass

**STIRRER WITH 2 MOVING PADDLES**

Rührer mit 2 beweglichen Flügeln
 Michadlo se 2 pohyblivými křídélky

Code	Diameter (mm)	Length (mm)	Drawing	Packing (pcs)
632 443 108 000	8	300	4342	20

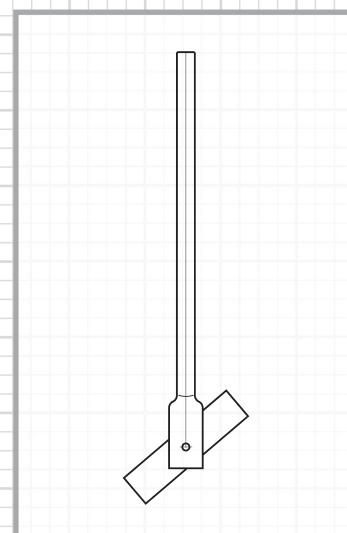
Notice: Borosilicate glass

**STIRRER WITH 1 MOVING PADDLE**

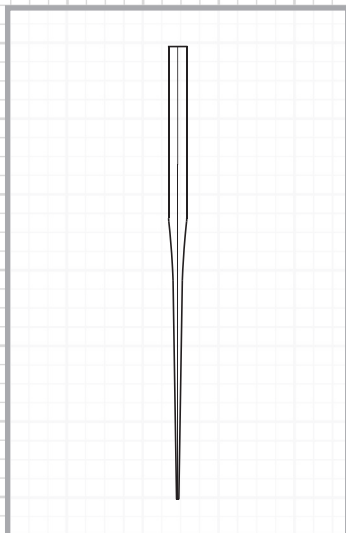
Rührer mit 1 beweglichem Flügel
 Michadlo s 1 pohyblivým křídélkem

Code	Diameter (mm)	Length (mm)	Drawing	Packing (pcs)
632 443 109 000	8	300	4343	20

Notice: Borosilicate glass



PASTEUR PIPETTE - BOROSILICATE GLASS

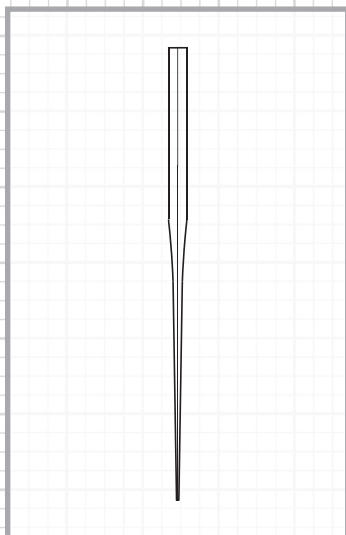


Pasteur Pipette
Pasterizační pipeta

Code	Diameter (mm)	Length (mm)	Tip (mm)	Drawing	Packing (pcs)
632 523 703 002	8	200	80	4965.1	10
632 523 703 001	8	210	90	4965.1	10
632 523 703 005	8	230	110	4965.1	10
632 523 703 006	8	240	120	4965.1	10
632 523 703 000	8	270	150	4965.1	10

Notice: Borosilicate glass

PASTEUR PIPETTE - SODA LIME GLASS

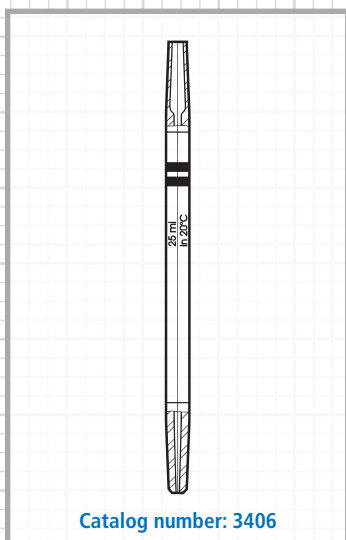


Pasteur Pipette - AR Glas
Pasterizační pipeta - sodnodraselné sklo

Code	Diameter (mm)	Length (mm)	Tip (mm)	Drawing	Packing (pcs)
632 523 150 050	8	150	50	5513	1000
632 523 230 120	8	230	120	5514	1000

Notice: Soda - lime glass

CAPILLARY MICROPIPETETTE ACCORDING TO BÜRKER



Kapillar - Mikropipette nach Bürker
Mikropipeta kapilární podle Bürkera

Code	Capacity (µl)	Total length (mm)	Permitted error (µl)	Drawing	Packing (pcs)
632 434 720 023	25	125 ± 15	± 0,5	1318	20

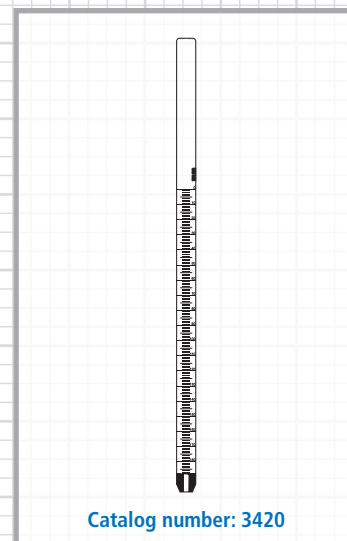
Catalog number: 3406

Notice: Soda-lime glass

SEDIMENTATION PIPETTE

Sedimentationspipette
Pipeta sedimentační

Code	Scale (mm)	Permitted error (mm)	Total length (mm)	Drawing	Packing (pcs)
632 434 434 010	0 - 200	± 0.4	300 ± 2	2349	50



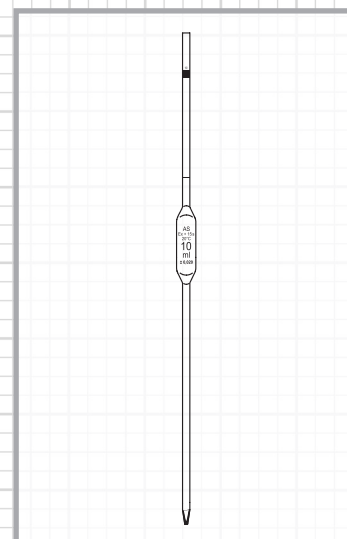
Catalog number: 3420

Notice: Soda-lime glass

BATCH CONFORMITY FOR ONE-MARK AND TWO-MARK PIPETTES

Chargenkonformität für Vollpipetten
Hromadná konformita pro nedělené pipety

Code: 632 433 000 001

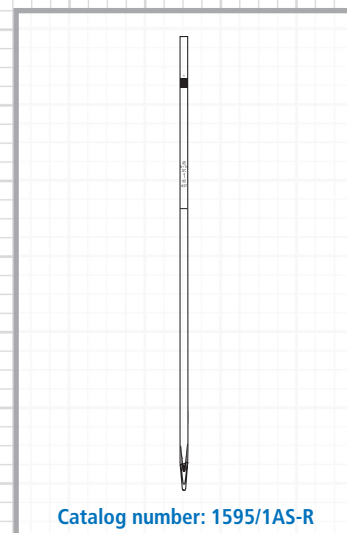


ONE-MARK PIPETTE, STRAIGHT FORM, QUALICOLOR, COLOR CODE, CLASS AS

Vollpipette, gerade Ausführung, mit einer Marke, QUALICOLOR, COLOR CODE, Klasse AS
Pipeta nedělená, rovné provedení s jednou ryskou, QUALICOLOR, COLOR CODE, třída AS

ISO: 648

Code	Capacity (ml)	Color code	Permitted error (± ml)	Drawing	Packing (pcs)
632 433 011 012	0.5	2x black	0.005	5518	50
632 433 011 014	1	blue	0.008	1712	50
632 433 011 016	2	orange	0.010	1713	50

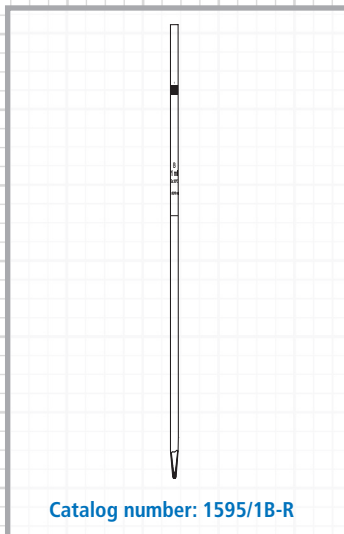


Catalog number: 1595/1AS-R

Notice: Soda - lime glass

ONE MARK PIPETTES

ONE-MARK PIPETTE, STRAIGHT FORM, QUALICOLOR, COLOR CODE, CLASS B



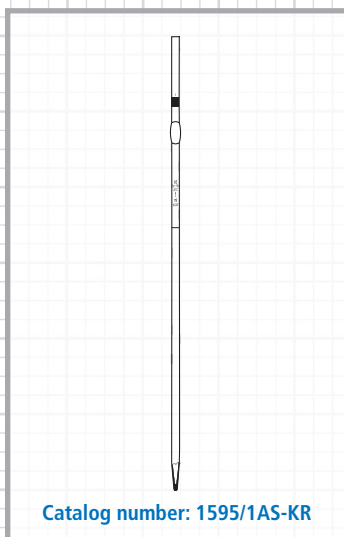
Vollpipette, gerade Ausführung, mit einer Marke, QUALICOLOR, COLOR CODE, Klasse B
 Pipeta nedělená, rovné provedení s jednou ryskou, QUALICOLOR, COLOR CODE, třída B

ISO: 648

Code	Capacity (ml)	Color code	Permitted error (\pm ml)	Drawing	Packing (pcs)
632 433 031 012	0.5	2x black	0.010	5519	50
632 433 031 014	1	blue	0.015	1714	50
632 433 031 016	2	orange	0.020	1715	50

Notice: Soda - lime glass

ONE-MARK PIPETTE, STRAIGHT FORM WITH SAFETY BULB, QUALICOLOR, COLOR CODE, CLASS AS



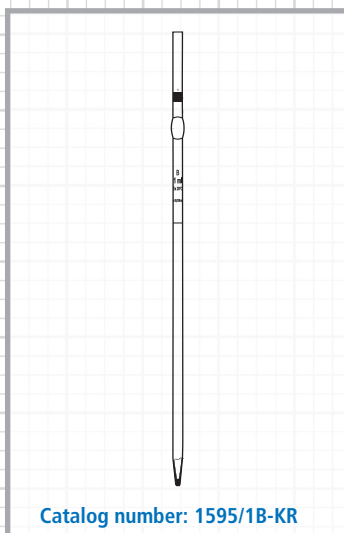
Vollpipette, gerade Ausführung mit einer Marke und Sicherheitskugel, QUALICOLOR, COLOR CODE, Klasse AS
 Pipeta nedělená, rovné provedení s jednou ryskou a bezpečnostní baničkou, QUALICOLOR, COLOR CODE, třída AS

ISO: 648

Code	Capacity (ml)	Color code	Permitted error (\pm ml)	Drawing	Packing (pcs)
632 433 211 012	0.5	2x black	0.005	5520	50
632 433 211 014	1	blue	0.008	1716	50
632 433 211 016	2	orange	0.010	1717	50

Notice: Soda - lime glass

ONE-MARK PIPETTE, STRAIGHT FORM WITH SAFETY BULB, QUALICOLOR, COLOR CODE, CLASS B



Vollpipette, gerade Ausführung mit einer Marke und Sicherheitskugel, QUALICOLOR, COLOR CODE, Klasse B
 Pipeta nedělená, rovné provedení s jednou ryskou a bezpečnostní baničkou, QUALICOLOR, COLOR CODE, třída B

ISO: 648

Code	Capacity (ml)	Color code	Permitted error (\pm ml)	Drawing	Packing (pcs)
632 433 231 012	0.5	2x black	0.010	5521	50
632 433 231 014	1	blue	0.015	1718	50
632 433 231 016	2	orange	0.020	1719	50

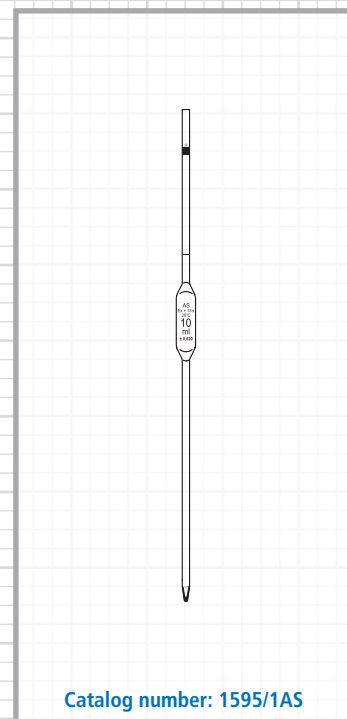
Notice: Soda - lime glass

ONE-MARK PIPETTE, ENLARGED FORM, QUALICOLOR, COLOR CODE, CLASS AS

Vollpipette, erweiterte Ausführung mit einer Marke, QUALICOLOR, COLOR CODE, Klasse AS
 Pipeta nedělená, rozšířené provedení s jednou ryskou, QUALICOLOR, COLOR CODE, třída AS

Code	Capacity (ml)	Color code	Permitted error (\pm ml)	Drawing	Packing (pcs)	ISO: 648
632 433 111 014	1	blue	0.008	1737	50	
632 433 111 016	2	orange	0.010	1738	50	
632 433 111 017	3 *	black	0.010	1739	50	
632 433 111 117	4 *	2x red	0.015	1765	25	
632 433 111 018	5	white	0.015	1309.1	25	
632 433 610 017	5	no-for cream	0.010	1740	25	
632 433 111 119	6 *	2x orange	0.015	4234	25	
632 433 111 120	7 *	2x green	0.020	5073	25	
632 433 111 121	8 *	blue	0.020	5074	25	
632 433 111 122	9 *	black	0.020	5075	25	
632 433 111 019	10	red	0.020	1741	25	
632 433 111 020	11	no	0.030	2789	25	
632 433 610 020	11	no-for milk	0.030	1312.1	25	
632 433 111 021	15 *	green	0.030	1742	25	
632 433 111 022	20	yellow	0.030	1743	10	
632 433 111 023	25	blue	0.030	1744	10	
632 433 111 024	30 *	black	0.050	1745	10	
632 433 111 057	40 *	white	0.050	1746	1	
632 433 111 025	50	red	0.050	1747	1	
632 433 111 058	75 *	green	0.080	1748	1	
632 433 111 030	100	yellow	0.080	1749	1	
632 433 111 037	200 *	blue	0.100	1750	1	

Notice: * not according to ISO standard Soda - lime glass

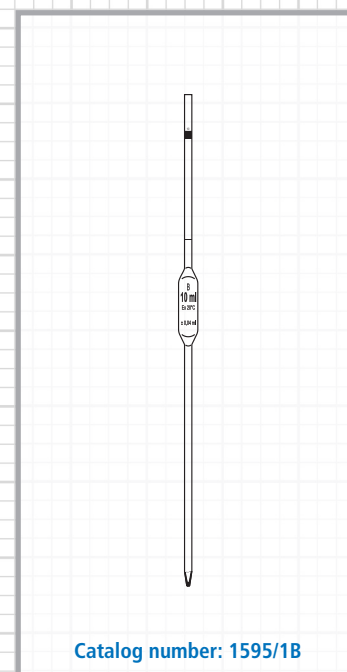


ONE-MARK PIPETTE, ENLARGED FORM, QUALICOLOR, COLOR CODE, CLASS B

Vollpipette, erweiterte Ausführung mit einer Marke, QUALICOLOR, COLOR CODE, Klasse B
 Pipeta nedělená, rozšířené provedení s jednou ryskou, QUALICOLOR, COLOR CODE, třída B

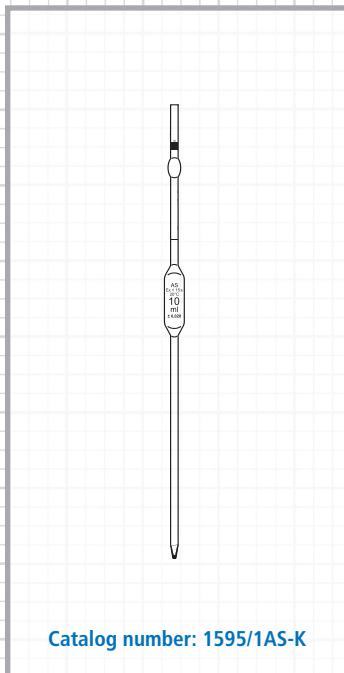
Code	Capacity (ml)	Color code	Permitted error (\pm ml)	Drawing	Packing (pcs)	ISO: 648
632 433 131 014	1	blue	0.015	1751	50	
632 433 131 016	2	orange	0.020	1752	50	
632 433 131 017	3 *	black	0.020	1753	50	
632 433 131 117	4 *	2x red	0.030	3179	50	
632 433 131 018	5	white	0.030	1754	25	
632 433 131 119	6 *	2x orange	0.030	5455	25	
632 433 131 120	7 *	2x green	0.040	5456	25	
632 433 131 121	8 *	blue	0.040	5457	25	
632 433 131 122	9 *	black	0.040	5458	25	
632 433 131 019	10	red	0.040	1755	25	
632 433 131 021	15 *	green	0.060	1756	25	
632 433 131 022	20	yellow	0.060	1757	10	
632 433 131 023	25	blue	0.060	1758	10	
632 433 131 024	30 *	black	0.100	1759	10	
632 433 131 057	40 *	white	0.100	1760	1	
632 433 131 025	50	red	0.100	1761	1	
632 433 131 058	75 *	green	0.150	1762	1	
632 433 131 030	100	yellow	0.150	1763	1	
632 433 131 037	200 *	blue	0.200	1764	1	

Notice: * not according to ISO standard Soda - lime glass



ONE MARK PIPETTES

ONE-MARK PIPETTE, ENLARGED FORM WITH SAFETY BULB, QUALICOLOR, COLOR CODE, CLASS AS

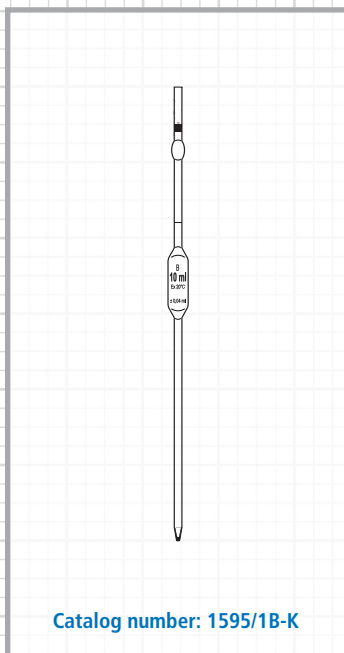


Vollpipette, erweiterte Ausführung mit einer Marke und Sicherheitskugel, QUALICOLOR, COLOR CODE, Klasse AS
 Pipeta nedělená, rozšířené provedení s jednou rýskou a bezpečnostní baničkou, QUALICOLOR, COLOR CODE, třída AS

Code	Capacity (ml)	Color code	Permitted error (\pm ml)	Drawing	Packing (pcs)	ISO: 648
632 433 311 014	1	blue	0.008	1794	50	
632 433 311 016	2	orange	0.010	1795	50	
632 433 311 017	3 *	black	0.010	1796	50	
632 433 311 117	4 *	2x red	0.015	3183	50	
632 433 311 018	5	white	0.015	1797	25	
632 433 311 119	6 *	2x orange	0.015	5459	25	
632 433 311 120	7 *	2x green	0.020	5460	25	
632 433 311 121	8 *	blue	0.020	5461	25	
632 433 311 122	9 *	black	0.020	5462	25	
632 433 311 019	10	red	0.020	1798	25	
632 433 311 021	15 *	green	0.030	1799	25	
632 433 311 022	20	yellow	0.030	1895	10	
632 433 311 023	25	blue	0.030	1896	10	
632 433 311 024	30 *	black	0.050	1897	10	
632 433 311 057	40 *	white	0.050	1898	1	
632 433 311 025	50	red	0.050	1899	1	
632 433 311 058	75 *	green	0.080	1900	1	
632 433 311 030	100	yellow	0.080	1901	1	
632 433 311 037	200 *	blue	0.100	1902	1	

Notice: * not according to ISO standard Soda - lime glass

ONE-MARK PIPETTE, ENLARGED FORM WITH SAFETY BULB, QUALICOLOR, COLOR CODE, CLASS B



Vollpipette, erweiterte Ausführung mit einer Marke und Sicherheitskugel, QUALICOLOR, COLOR CODE, Klasse B
 Pipeta nedělená, rozšířené provedení s jednou rýskou a bezpečnostní baničkou, QUALICOLOR, COLOR CODE, třída B

Code	Capacity (ml)	Color code	Permitted error (\pm ml)	Drawing	Packing (pcs)	ISO: 648
632 433 331 014	1	blue	0.015	1903	50	
632 433 331 016	2	orange	0.020	1904	50	
632 433 331 017	3 *	black	0.020	1905	50	
632 433 331 117	4 *	2x red	0.030	3184	50	
632 433 331 018	5	white	0.030	1906	25	
632 433 331 119	6 *	2x orange	0.030	5463	25	
632 433 331 120	7 *	2x green	0.040	5464	25	
632 433 331 121	8 *	blue	0.040	5465	25	
632 433 331 122	9 *	black	0.040	5466	25	
632 433 331 019	10	red	0.040	1907	25	
632 433 331 021	15 *	green	0.060	1908	25	
632 433 331 022	20	yellow	0.060	1909	10	
632 433 331 023	25	blue	0.060	1910	10	
632 433 331 024	30 *	black	0.100	1911	10	
632 433 331 057	40 *	white	0.100	1912	1	
632 433 331 025	50	red	0.100	1913	1	
632 433 331 058	75 *	green	0.150	1914	1	
632 433 331 030	100	yellow	0.150	1915	1	
632 433 331 037	200 *	blue	0.200	1916	1	

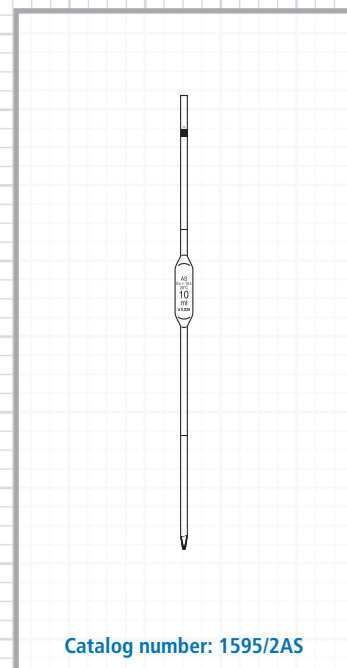
Notice: * not according to ISO standard Soda - lime glass

TWO-MARKS PIPETTE, ENLARGED FORM, QUALICOLOR, COLOR CODE, CLASS AS

Vollpipette, erweiterte Ausführung mit zwei Marken, QUALICOLOR, COLOR CODE, Klasse AS
 Pipeta nedělená, rozšířené provedení s dvěma ryskami, QUALICOLOR, COLOR CODE, třída AS

Code	Capacity (ml)	Color code	Permitted error (\pm ml)	Drawing	ISO: 648	
					Packing (pcs)	
632 433 151 014	1	blue	0.008	1766	50	
632 433 151 016	2	orange	0.010	1767	50	
632 433 151 017	3 *	black	0.010	1768	50	
632 433 151 117	4 *	2x red	0.015	2960	50	
632 433 151 018	5	white	0.015	1769	25	
632 433 151 119	6 *	2x orange	0.015	2956	25	
632 433 151 120	7 *	2x green	0.020	2957	25	
632 433 151 121	8 *	blue	0.020	2958	25	
632 433 151 122	9 *	black	0.020	4090	25	
632 433 151 019	10	red	0.020	1770	25	
632 433 151 021	15 *	green	0.030	1771	25	
632 433 151 022	20	yellow	0.030	1772	10	
632 433 151 023	25	blue	0.030	1773	10	
632 433 151 024	30 *	black	0.050	1774	10	
632 433 151 057	40 *	white	0.050	1775	1	
632 433 151 025	50	red	0.050	1776	1	
632 433 151 058	75 *	green	0.080	1777	1	
632 433 151 030	100	yellow	0.080	1778	1	
632 433 151 037	200 *	blue	0.100	1779	1	

Notice: * not according to ISO standard Soda - lime glass

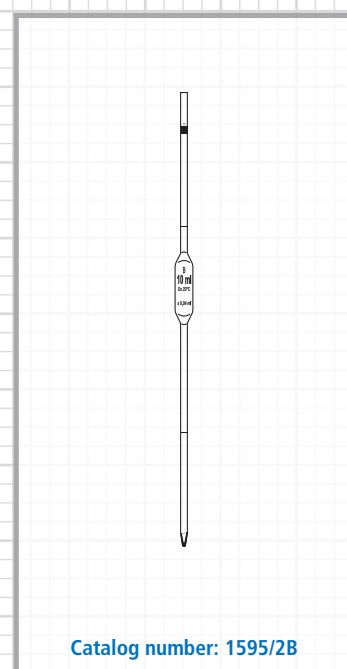


TWO-MARKS PIPETTE, ENLARGED FORM, QUALICOLOR, COLOR CODE, CLASS B

Vollpipette, erweiterte Ausführung mit zwei Marken, QUALICOLOR, COLOR CODE, Klasse B
 Pipeta nedělená, rozšířené provedení s dvěma ryskami, QUALICOLOR, COLOR CODE, třída B

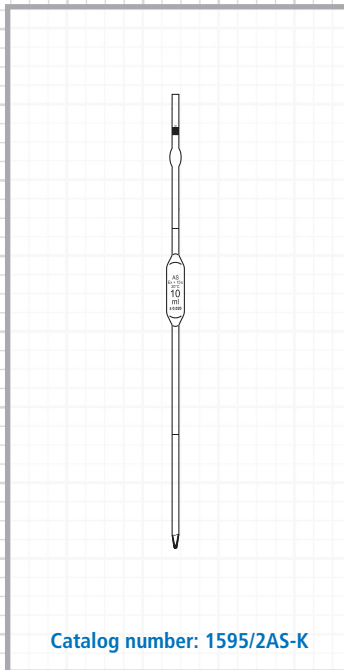
Code	Capacity (ml)	Color code	Permitted error (\pm ml)	Drawing	ISO: 648	
					Packing (pcs)	
632 433 171 014	1	blue	0.015	1780	50	
632 433 171 016	2	orange	0.020	1781	50	
632 433 171 017	3 *	black	0.020	1782	50	
632 433 171 117	4 *	2x red	0.030	3197	50	
632 433 171 018	5	white	0.030	1783	25	
632 433 171 119	6 *	2x orange	0.030	5467	25	
632 433 171 120	7 *	2x green	0.040	5468	25	
632 433 171 121	8 *	blue	0.040	5469	25	
632 433 171 122	9 *	black	0.040	5470	25	
632 433 171 019	10	red	0.040	1784	25	
632 433 171 021	15 *	green	0.060	1785	25	
632 433 171 022	20	yellow	0.060	1786	10	
632 433 171 023	25	blue	0.060	1787	10	
632 433 171 024	30 *	black	0.100	1788	10	
632 433 171 057	40 *	white	0.100	1789	1	
632 433 171 025	50	red	0.100	1790	1	
632 433 171 058	75 *	green	0.150	1791	1	
632 433 171 030	100	yellow	0.150	1792	1	
632 433 171 037	200 *	blue	0.200	1793	1	

Notice: * not according to ISO standard Soda - lime glass



TWO MARKS PIPETTES

TWO-MARKS PIPETTE, ENLARGED FORM WITH SAFETY BULB, QUALICOLOR, COLOR CODE, CLASS AS



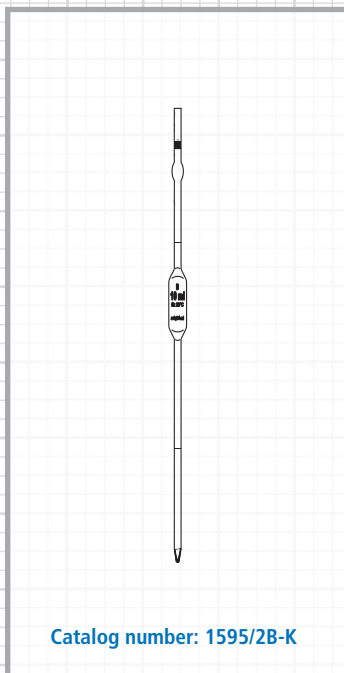
Vollpipette, erweiterte Ausführung mit zwei Marken und Sicherheitskugel, QUALICOLOR, COLOR CODE, Klasse AS
 Pipeta nedělená, rozšířené provedení s dvěma ryskami a bezpečnostní baničkou, QUALICOLOR, COLOR CODE, třída AS

ISO: 648

Code	Capacity (ml)	Color code	Permitted error (\pm ml)	Drawing	Packing (pcs)
632 433 351 014	1	blue	0.008	1917	50
632 433 351 016	2	orange	0.010	1918	50
632 433 351 017	3 *	black	0.010	1919	50
632 433 351 117	4 *	2x red	0.015	3198	50
632 433 351 018	5	white	0.015	1920	25
632 433 351 119	6 *	2x orange	0.015	5471	25
632 433 351 120	7 *	2x green	0.020	5472	25
632 433 351 121	8 *	blue	0.020	5473	25
632 433 351 122	9 *	black	0.020	5474	25
632 433 351 019	10	red	0.020	1921	25
632 433 351 021	15 *	green	0.030	1922	25
632 433 351 022	20	yellow	0.030	1923	10
632 433 351 023	25	blue	0.030	1924	10
632 433 351 024	30 *	black	0.050	1925	10
632 433 351 057	40 *	white	0.050	1926	1
632 433 351 025	50	red	0.050	1927	1
632 433 351 058	75 *	green	0.080	1928	1
632 433 351 030	100	yellow	0.080	1929	1
632 433 351 037	200 *	blue	0.100	1930	1

Notice: * not according to ISO standard Soda - lime glass

TWO-MARKS PIPETTE, ENLARGED FORM WITH SAFETY BULB, QUALICOLOR, COLOR CODE, CLASS B



Vollpipette, erweiterte Ausführung mit zwei Marken und Sicherheitskugel, QUALICOLOR, COLOR CODE, Klasse B
 Pipeta nedělená, rozšířené provedení s dvěma ryskami a bezpečnostní baničkou, QUALICOLOR, COLOR CODE, třída B

ISO: 648

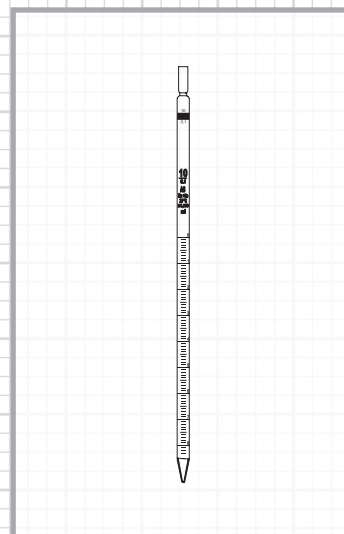
Code	Capacity (ml)	Color code	Permitted error (\pm ml)	Drawing	Packing (pcs)
632 433 371 014	1	blue	0.015	1931	50
632 433 371 016	2	orange	0.020	1932	50
632 433 371 017	3 *	black	0.020	1933	50
632 433 371 117	4 *	2x red	0.030	3200	50
632 433 371 018	5	white	0.030	1934	25
632 433 371 119	6 *	2x orange	0.030	5475	25
632 433 371 120	7 *	2x green	0.040	5476	25
632 433 371 121	8 *	blue	0.040	5477	25
632 433 371 122	9 *	black	0.040	5478	25
632 433 371 019	10	red	0.040	1935	25
632 433 371 021	15 *	green	0.060	1936	25
632 433 371 022	20	yellow	0.060	1937	10
632 433 371 023	25	blue	0.060	1938	10
632 433 371 024	30 *	black	0.100	1939	10
632 433 371 057	40 *	white	0.100	1940	1
632 433 371 025	50	red	0.100	1941	1
632 433 371 058	75 *	green	0.150	1942	1
632 433 371 030	100	yellow	0.150	1943	1
632 433 371 037	200 *	blue	0.200	1944	1

Notice: * not according to ISO standard Soda - lime glass

BATCH CONFORMITY FOR GRADUATED PIPETTES

Chargenkonformität für Meßpipetten
Hromadná konformita pro dělené pipety

Code: 632 434 000 001



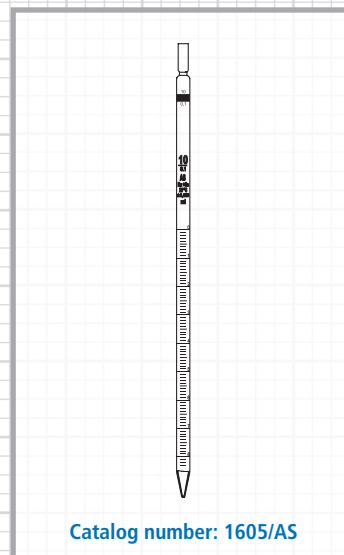
GRADUATED PIPETTE, FOR COMPLETE DELIVERY, QUALICOLOR, COLOR CODE, CLASS AS

Meßpipette, für vollständigen Auslauf, QUALICOLOR, COLOR CODE, Klasse AS
Pipeta dělená na úplný výtok, QUALICOLOR, COLOR CODE, třída AS

ISO 835

Code	Capacity (ml)	Subdivision (ml)	Color code	Permitted error (\pm ml)	Drawing	Packing (pcs)
632 434 116 308	0.1	0.01	white	0.006	3281	50
632 434 116 310	0.2	0.01	black	0.006	3282	50
632 434 116 312	0.5	0.01	2x yellow	0.006	1678/b.2	50
632 434 116 714	1	0.1	red	0.007	3642	50
632 434 116 314	1	0.01	yellow	0.007	1688.1	50
632 434 116 716	2	0.1	green	0.010	3861	50
632 434 116 316	2 *	0.01	2x white	0.010	2635.1	50
632 434 116 516	2	0.02	black	0.010	1689.1	50
632 434 116 618	5	0.05	red	0.030	1690.1	50
632 434 116 718	5	0.1	blue	0.030	2636.1	50
632 434 116 719	10	0.1	orange	0.050	1691.1	50
632 434 116 721	20	0.1	2x yellow	0.100	1692.1/1	25
632 434 116 722	20 *	0.1	2x yellow	0.100	1692.1	25
632 434 116 723	25	0.1	white	0.100	1693.1	25
632 434 116 725	50 *	0.1	2x orange	0.200	1694.1	5
632 434 116 825	50 *	0.2	black	0.200	2948.1	5
632 434 116 831	100 *	0.2	red	0.200	1695.1	5

Notice: * not according to ISO standard Soda-lime glass



Catalog number: 1605/AS

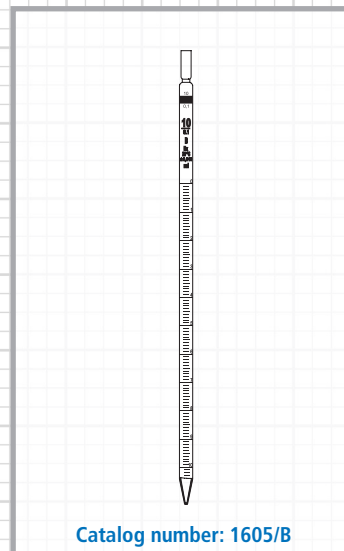
GRADUATED PIPETTE, FOR COMPLETE DELIVERY, QUALICOLOR, COLOR CODE, CLASS B

Meßpipette, für vollständigen Auslauf, QUALICOLOR, COLOR CODE, Klasse B
Pipeta dělená na úplný výtok, QUALICOLOR, COLOR CODE, třída B

ISO 835

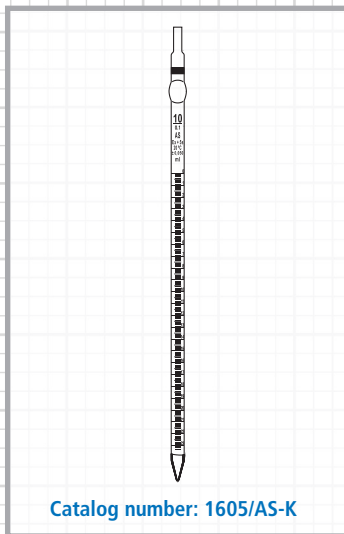
Code	Capacity (ml)	Subdivision (ml)	Color code	Permitted error (\pm ml)	Drawing	Packing (pcs)
632 434 026 308	0.1	0.01	white	0.010	3214	50
632 434 026 310	0.2	0.01	black	0.010	3213	50
632 434 026 312	0.5	0.01	2x yellow	0.010	1678/a	50
632 434 026 714	1	0.1	red	0.010	1680/a	50
632 434 026 314	1	0.01	yellow	0.010	1680	50
632 434 026 716	2	0.1	green	0.020	1681/b	50
632 434 026 316	2 *	0.01	2x white	0.020	1681/a	50
632 434 026 516	2	0.02	black	0.020	1681	50
632 434 026 718	5	0.1	blue	0.050	1682	50
632 434 026 618	5	0.05	red	0.050	1682/a	50
632 434 026 719	10	0.1	orange	0.100	1683	50
632 434 026 721	20	0.1	2x yellow	0.200	1684/1	25
632 434 026 722	20 *	0.1	2x yellow	0.200	1684	25
632 434 026 723	25	0.1	white	0.200	1685	25
632 434 026 725	50 *	0.1	2x orange	0.400	1686	5
632 434 026 825	50 *	0.2	black	0.400	3629	5
632 434 026 831	100 *	0.2	red	0.400	1687	5

Notice: * not according to ISO standard Soda-lime glass



Catalog number: 1605/B

GRADUATED PIPETTE, FOR COMPLETE DELIVERY, WITH SAFETY BULB, QUALICOLOR, COLOR CODE, CLASS AS

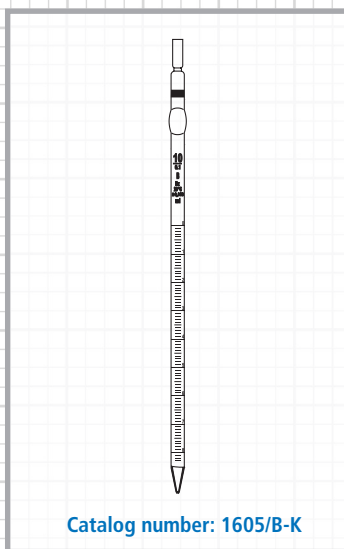


Meßpipette, für vollständigen Auslauf, mit Sicherheitskugel, QUALICOLOR, COLOR CODE, Klasse AS
 Pipeta dělená na úplný výtok s bezpečnostní baničkou, QUALICOLOR, COLOR CODE, třída AS

							ISO 835
Code	Capacity (ml)	Subdivision (ml)	Color code	Permitted error (± ml)	Drawing	Packing (pcs)	
632 434 156 312	0.5	0.01	2x yellow	0.006	1679/b	50	
632 434 156 314	1	0.01	yellow	0.007	1721	50	
632 434 156 516	2	0.02	black	0.010	1722	50	
632 434 156 618	5	0.05	red	0.030	1723	50	
632 434 156 719	10	0.1	orange	0.050	1724	50	
632 434 156 722	20 *	0.1	2x yellow	0.100	1725	25	
632 434 156 723	25 *	0.1	white	0.100	1726	25	
632 434 156 725	50 *	0.1	2x orange	0.200	1727	5	
632 434 156 831	100 *	0.2	red	0.200	1728	5	

Notice: * not according to ISO standard Soda-lime glass

GRADUATED PIPETTE, FOR COMPLETE DELIVERY, WITH SAFETY BULB, QUALICOLOR, COLOR CODE, CLASS B

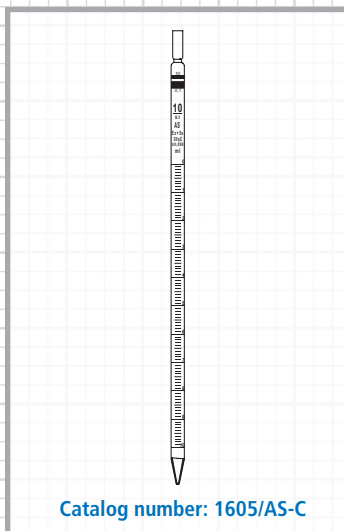


Meßpipette, für vollständigen Auslauf, mit Sicherheitskugel, QUALICOLOR, COLOR CODE, Klasse B
 Pipeta dělená na úplný výtok s bezpečnostní baničkou, QUALICOLOR, COLOR CODE, třída B

							ISO 835
Code	Capacity (ml)	Subdivision (ml)	Color code	Permitted error (± ml)	Drawing	Packing (pcs)	
632 434 066 312	0.5	0.01	2x yellow	0.010	1679/a	50	
632 434 066 714	1	0.1	red	0.010	1702/a	50	
632 434 066 314	1	0.01	yellow	0.010	1702	50	
632 434 066 716	2	0.1	green	0.020	1703/a	50	
632 434 066 316	2 *	0.01	2x white	0.020	1703/b	50	
632 434 066 516	2	0.02	black	0.020	1703	50	
632 434 066 718	5	0.1	blue	0.050	1704/a	50	
632 434 066 618	5	0.05	red	0.050	1704	50	
632 434 066 719	10	0.1	orange	0.100	1705	50	
632 434 066 722	20 *	0.1	2x yellow	0.200	1706	25	
632 434 066 723	25 *	0.1	white	0.200	1707	25	
632 434 066 725	50 *	0.1	2x orange	0.400	1708	5	
632 434 066 831	100 *	0.2	red	0.400	1709	5	

Notice: * not according to ISO standard Soda-lime glass

GRADUATED PIPETTE, FOR PARTIAL DELIVERY, QUALICOLOR, COLOR CODE, CLASS AS



Meßpipette, für teilweisen Auslauf, QUALICOLOR, COLOR CODE, Klasse AS
 Pipeta dělená na částečný výtok, QUALICOLOR, COLOR CODE, třída AS

							ISO 835
Code	Capacity (ml)	Subdivision (ml)	Color code	Permitted error (± ml)	Drawing	Packing (pcs)	
632 434 335 714	1	0.1	red	0.007	3854	50	
632 434 335 314	1	0.01	yellow	0.007	3633	50	
632 434 335 716	2	0.1	green	0.010	3855	50	
632 434 335 316	2 *	0.01	2x white	0.010	3856	50	
632 434 335 516	2	0.02	black	0.010	3634	50	
632 434 335 718	5	0.1	blue	0.030	3857	50	
632 434 335 618	5	0.05	red	0.030	3635	50	
632 434 335 719	10	0.1	orange	0.050	3636	50	
632 434 335 722	20 *	0.1	2x yellow	0.100	3637	25	
632 434 335 723	25 *	0.1	white	0.100	3638	25	
632 434 335 825	50 *	0.2	black	0.200	3639	5	
632 434 335 831	100 *	0.2	red	0.200	3640	5	

Notice: * not according to ISO standard Soda-lime glass

GRADUATED PIPETTE, FOR PARTIAL DELIVERY, QUALICOLOR, COLOR CODE, CLASS B

Meßpipette, für teilweisen Auslauf, QUALICOLOR, COLOR CODE, Klasse B

Pipeta dělená na částečný výtok, QUALICOLOR, COLOR CODE, třída B

							ISO 835
Code	Capacity (ml)	Subdivision (ml)	Color code	Permitted error (\pm ml)	Drawing	Packing (pcs)	
632 434 226 714	1	0.1	red	0.010	1729	50	
632 434 226 314	1	0.01	yellow	0.010	1729/a	50	
632 434 226 716	2	0.1	green	0.020	1730/a	50	
632 434 226 316	2 *	0.01	2x white	0.020	1730/b	50	
632 434 226 516	2	0.02	black	0.020	1730	50	
632 434 226 718	5	0.1	blue	0.050	1731	50	
632 434 226 618	5	0.05	red	0.050	1731/a	50	
632 434 226 719	10	0.1	orange	0.100	1732	50	
632 434 226 722	20 *	0.1	2x yellow	0.200	1733	25	
632 434 226 723	25	0.1	white	0.200	1734	25	
632 434 226 825	50 *	0.2	black	0.400	3853	5	
632 434 226 831	100 *	0.2	red	0.400	1736	5	

Notice: * not according to ISO standard Soda-lime glass



Catalog number: 1605/B-C

GRADUATED PIPETTE, FOR COMPLETE DELIVERY, WITH SCHELLBACH STRIPE, QUALICOLOR, COLOR CODE, CLASS AS

Meßpipette, für vollständigen Auslauf, mit Schellbach-Streifen, QUALICOLOR, COLOR CODE, Klasse AS

Pipeta dělená na úplný výtok se Schellbachovým pruhem, QUALICOLOR, COLOR CODE, třída AS

							ISO 835
Code	Capacity (ml)	Subdivision (ml)	Color code	Permitted error (\pm ml)	Drawing	Packing (pcs)	
632 434 316 312	0.5	0.01	2x yellow	0.006	5454	50	
632 434 316 314	1	0.01	yellow	0.007	1506.1	50	
632 434 316 516	2	0.02	black	0.010	1507.1	50	
632 434 316 618	5	0.05	red	0.030	1508.1	50	
632 434 316 719	10	0.1	orange	0.050	1509.1	50	
632 434 316 722	20 *	0.1	2x yellow	0.100	1510.1	25	
632 434 316 723	25	0.1	white	0.100	1511.1	25	
632 434 316 725	50 *	0.1	2x orange	0.200	5479	5	
632 434 316 831	100 *	0.2	red	0.200	5480	5	

Notice: * not according to ISO standard Soda-lime glass



Catalog number: 1605/AS-S

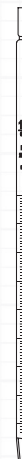
GRADUATED PIPETTE FOR SEROLOGY - WIDE TIP

Meßpipette für Serologie - breite Spitze

Pipeta dělená pro serologii - široká špička

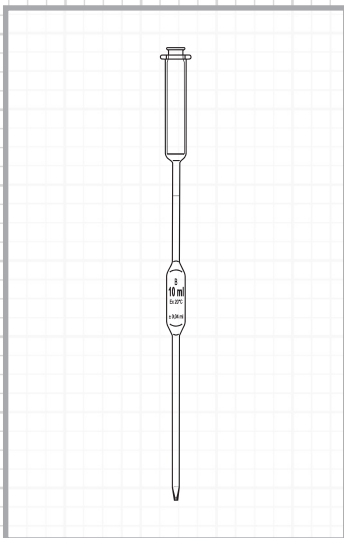
Code	Capacity (ml)	Subdivision (ml)	Tip (mm)	Drawing	Packing (pcs)
632 434 050 314	1	0.01	2	1696	50
632 434 050 516	2	0.02	2	1697	50
632 434 050 618	5	0.05	3	1698	50
632 434 050 719	10	0.1	4.5	1699	50
632 434 050 723	25	0.1	4.5	1700	25

Notice: Soda-lime glass



Catalog number: 1605/SE

ONE-MARK PIPETTE, ENLARGED FORM, CLASS B, WITH GLASS PISTON

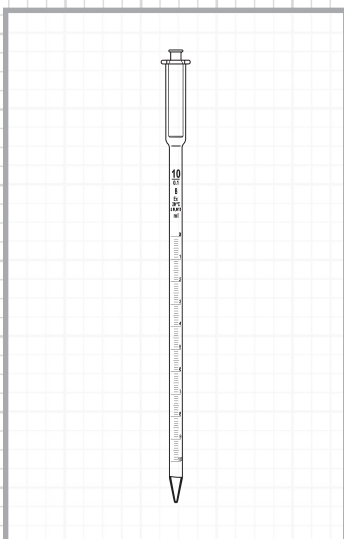


Vollpipette, erweiterte Ausführung mit einer Marke, Klasse B, mit Kolben
 Pipeta nedělená, rozšířené provedení s jednou ryskou, třída B, s pístem

Code	Capacity (ml)	Permitted error (\pm ml)	Drawing	Packing (pcs)
632 449 973 001	1	0.015	4309	1
632 449 973 002	2	0.020	4310	1
632 449 973 005	5	0.030	4311	1
632 449 973 010	10	0.040	4312	1
632 449 973 020	20	0.060	4313	1
632 449 973 025	25	0.060	4314	1
632 449 973 050	50	0.100	4315	1

Notice: Soda-lime glass

GRADUATED PIPETTE, CLASS B, WITH GLASS PISTON

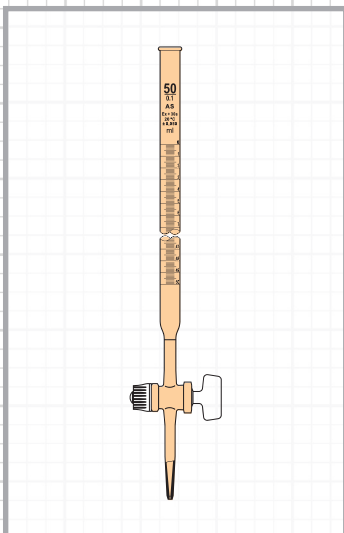


Meßpipette, Klasse B, mit Kolben
 Pipeta dělená, třída B, s pístem

Code	Capacity (ml)	Subdivision (ml)	Permitted error (\pm ml)	Drawing	Packing (pcs)
632 449 963 718	0.5	0.01	0.010	4301	1
632 449 963 001	1	0.01	0.010	4302	1
632 449 963 002	2	0.02	0.020	4303	1
632 449 963 005	5	0.05	0.050	4304	1
632 449 963 010	10	0.10	0.100	4305	1
632 449 963 020	20	0.10	0.200	4306	1
632 449 963 025	25	0.10	0.200	4307	1

Notice: Soda-lime glass

WE OFFER AMBER BURETTES



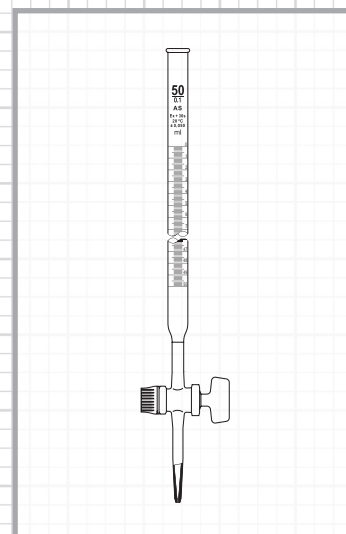
Wir bieten braune Büretten an
 Nabízíme hnědé byrety

Code: 632 435 000 000

BATCH CONFORMITY FOR BURETTES

Chargenkonformität für Büretten
Hromadná konformita pro byrety

Code: 632 435 000 001

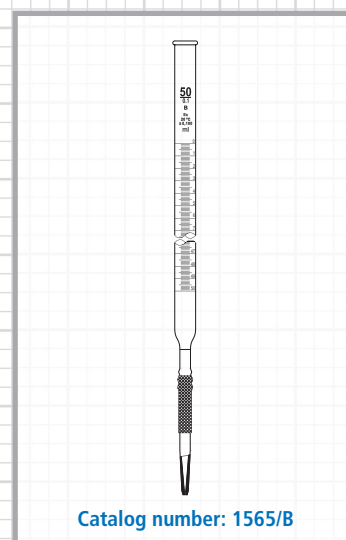


BURETTE WITH HOSE CONNECTION, QUALICOLOR, CLASS B

Bürette mit Olive, QUALICOLOR, Klasse B
Byreta s olivkou, QUALICOLOR, třída B

Code	Capacity (ml)	Subdivision (ml)	Permitted error (\pm ml)	Drawing	Packing (pcs)
632 435 006 519	10	0.02	0.050	3343/A	5
632 435 006 619	10	0.05	0.050	3338/A	5
632 435 006 719	10	0.1	0.050	3339/A	5
632 435 006 723	25	0.1	0.100	3340/A	5
632 435 006 725	50	0.1	0.100	3341/A	5
632 435 006 831	100	0.2	0.200	3342/A	5

Notice: Borosilicate glass



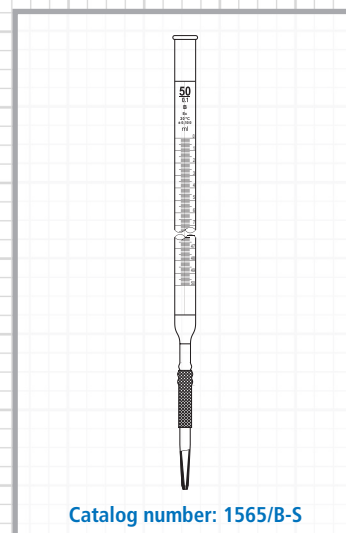
Catalog number: 1565/B

BURETTE WITH HOSE CONNECTION, WITH SCHELLBACH STRIPE, QUALICOLOR, CLASS B

Bürette mit Olive, mit Schellbach-Streifen, QUALICOLOR, Klasse B
Byreta s olivkou, se Schellbachovým pruhem, QUALICOLOR, třída B

Code	Capacity (ml)	Subdivision (ml)	Permitted error (\pm ml)	Drawing	Packing (pcs)
632 435 026 519	10	0.02	0.050	3349/A	5
632 435 026 619	10	0.05	0.050	3344/A	5
632 435 026 719	10	0.1	0.050	3345/A	5
632 435 026 723	25	0.1	0.100	3346/A	5
632 435 026 725	50	0.1	0.100	3347/A	5
632 435 026 831	100	0.2	0.200	3348/A	5

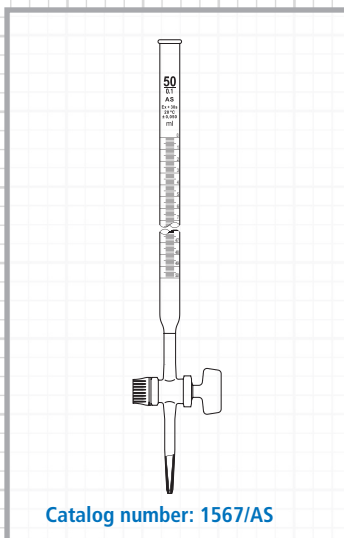
Notice: Borosilicate glass



Catalog number: 1565/B-S

BURETTES

BURETTE WITH STRAIGHT STOPCOCK, GLASS KEY, QUALICOLOR, CLASS AS



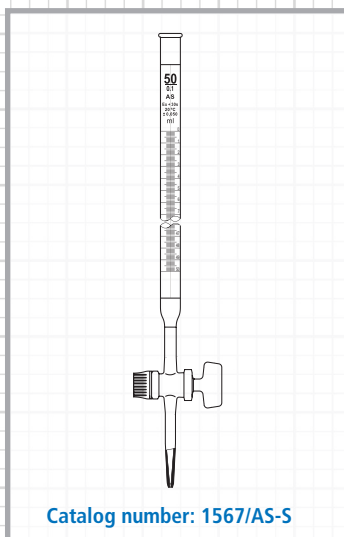
Bürette mit Einweghahn, Glas-Küken, QUALICOLOR, Klasse AS
Byreta s přímým kohoutem se skleněným kladívkem, QUALICOLOR, třída AS

ISO: 385

Code	Capacity (ml)	Subdivision (ml)	Permitted error (\pm ml)	Drawing	Packing (pcs)
632 435 156 519	10	0.02	0.020	1950	1
632 435 156 619	10	0.05	0.030	1953	1
632 435 156 719	10 *	0.1	0.030	3283	1
632 435 156 623	25	0.05	0.030	1951	1
632 435 156 723	25	0.1	0.050	1954	1
632 435 156 725	50	0.1	0.050	1952	1
632 435 156 831	100	0.2	0.100	2793	1

Notice: * not according to ISO standard Borosilicate glass

BURETTE WITH STRAIGHT STOPCOCK, GLASS KEY, WITH SCHELLBACH STRIPE, QUALICOLOR, CLASS AS



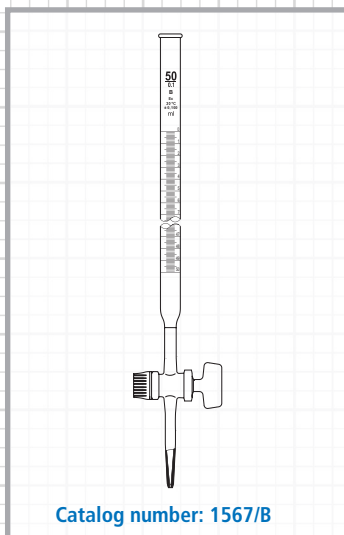
Bürette mit Einweghahn, Glas-Küken, mit Schellbach-Streifen, QUALICOLOR, Klasse AS
Byreta s přímým kohoutem se skleněným kladívkem, se Schellbachovým pruhem, QUALICOLOR, třída AS

ISO: 385

Code	Capacity (ml)	Subdivision (ml)	Permitted error (\pm ml)	Drawing	Packing (pcs)
632 435 176 519	10	0.02	0.020	1956	1
632 435 176 619	10	0.05	0.030	1959	1
632 435 176 719	10 *	0.1	0.030	3284	1
632 435 176 623	25	0.05	0.030	1957	1
632 435 176 723	25	0.1	0.050	1960	1
632 435 176 725	50	0.1	0.050	1958	1
632 435 176 831	100	0.2	0.100	1961	1

Notice: * not according to ISO standard Borosilicate glass

BURETTE WITH STRAIGHT STOPCOCK, GLASS KEY, QUALICOLOR, CLASS B



Bürette mit Einweghahn, Glas-Küken, QUALICOLOR, Klasse B
Byreta s přímým kohoutem se skleněným kladívkem, QUALICOLOR, třída B

ISO: 385

Code	Capacity (ml)	Subdivision (ml)	Permitted error (\pm ml)	Drawing	Packing (pcs)
623 435 106 519	10	0.02	0.050	2902	1
632 435 106 619	10	0.05	0.050	2903	1
632 435 106 719	10 *	0.1	0.050	3285	1
632 435 106 623	25	0.05	0.050	2904	1
632 435 106 723	25	0.1	0.100	2905	1
632 435 106 725	50	0.1	0.100	2906	1
632 435 106 831	100	0.2	0.200	2907	1

Notice: * not according to ISO standard Borosilicate glass

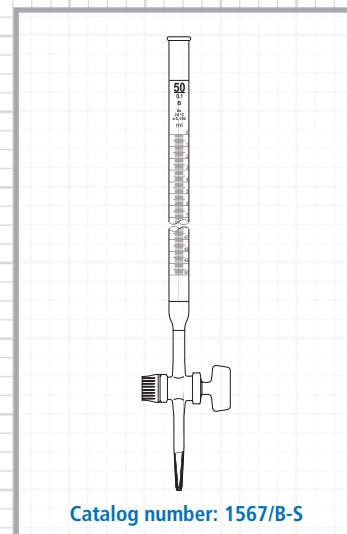
BURETTE WITH STRAIGHT STOPCOCK, GLASS KEY, WITH SCHELLBACH STRIPE, QUALICOLOR, CLASS B

Bürette mit Einweghahn, Glas-Küken, mit Schellbach-Streifen, QUALICOLOR, Klasse B

Byreta s přímým kohoutem se skleněným kladívkem, se Schellbachovým pruhem, QUALICOLOR, třída B

ISO: 385

Code	Capacity (ml)	Subdivision (ml)	Permitted error (\pm ml)	Drawing	Packing (pcs)
623 435 126 519	10	0.02	0.050	2908	1
632 435 126 619	10	0.05	0.050	2909	1
632 435 126 719	10 *	0.1	0.050	3286	1
632 435 126 623	25	0.05	0.050	2910	1
632 435 126 723	25	0.1	0.100	2911	1
632 435 126 725	50	0.1	0.100	2912	1
632 435 126 831	100	0.2	0.200	2913	1



Notice: * not according to ISO standard Borosilicate glass

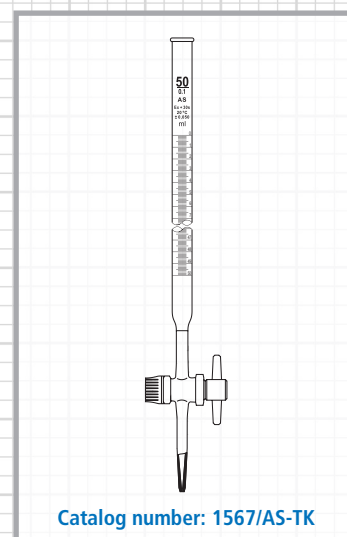
BURETTE WITH STRAIGHT STOPCOCK, PTFE KEY, QUALICOLOR, CLASS AS

Bürette mit Einweghahn, PTFE-Küken, QUALICOLOR, Klasse AS

Byreta s přímým kohoutem s teflonovým kladívkem, QUALICOLOR, třída AS

ISO: 385

Code	Capacity (ml)	Subdivision (ml)	Permitted error (\pm ml)	Drawing	Packing (pcs)
632 435 256 519	10	0.02	0.020	1968	1
632 435 256 619	10	0.05	0.030	1969	1
632 435 256 719	10 *	0.1	0.030	3287	1
632 435 256 623	25	0.05	0.030	1970	1
632 435 256 723	25	0.1	0.050	1971	1
632 435 256 725	50	0.1	0.050	1972	1
632 435 256 831	100	0.2	0.100	1973	1



Notice: * not according to ISO standard Borosilicate glass

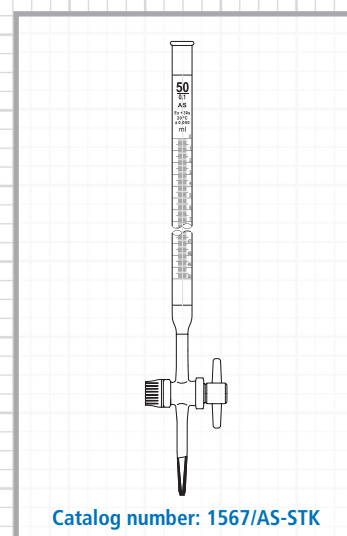
BURETTE WITH STRAIGHT STOPCOCK, PTFE KEY, WITH SCHELLBACH STRIPE, QUALICOLOR, CLASS AS

Bürette mit Einweghahn, PTFE-Küken, mit Schellbach-Streifen, QUALICOLOR, Klasse AS

Byreta s přímým kohoutem s teflonovým kladívkem, se Schellbachovým pruhem, QUALICOLOR, třída AS

ISO: 385

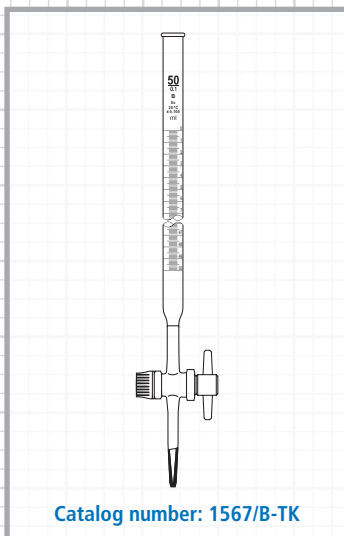
Code	Capacity (ml)	Subdivision (ml)	Permitted error (\pm ml)	Drawing	Packing (pcs)
632 435 276 519	10	0.02	0.020	1962	1
632 435 276 619	10	0.05	0.030	1963	1
632 435 276 719	10 *	0.1	0.030	3288	1
632 435 276 623	25	0.05	0.030	1964	1
632 435 276 723	25	0.1	0.050	1965	1
632 435 276 725	50	0.1	0.050	1966	1
632 435 276 831	100	0.2	0.100	1967	1



Notice: * not according to ISO standard Borosilicate glass

BURETTES

BURETTE WITH STRAIGHT STOPCOCK, PTFE KEY, QUALICOLOR, CLASS B



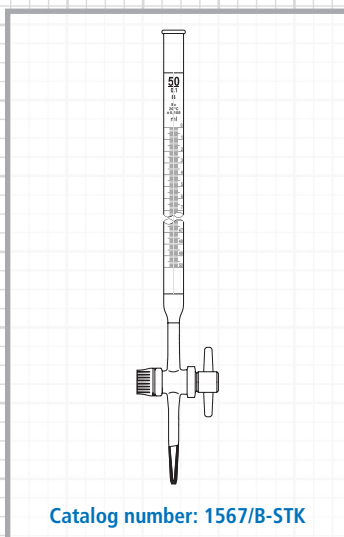
Bürette mit Einweghahn, PTFE-Küken, QUALICOLOR, Klasse B
Byreta s přímým kohoutem s teflonovým kladívkem, QUALICOLOR, třída B

ISO: 385

Code	Capacity (ml)	Subdivision (ml)	Permitted error (\pm ml)	Drawing	Packing (pcs)
632 435 206 519	10	0.02	0.050	2914	1
632 435 206 619	10	0.05	0.050	2915	1
632 435 206 719	10 *	0.1	0.050	3289	1
632 435 206 623	25	0.05	0.050	2916	1
632 435 206 723	25	0.1	0.100	2917	1
632 435 206 725	50	0.1	0.100	2918	1
632 435 206 831	100	0.2	0.200	2919	1

Notice: * not according to ISO standard Borosilicate glass

BURETTE WITH STRAIGHT STOPCOCK, PTFE KEY, WITH SCHELLBACH STRIPE, QUALICOLOR, CLASS B



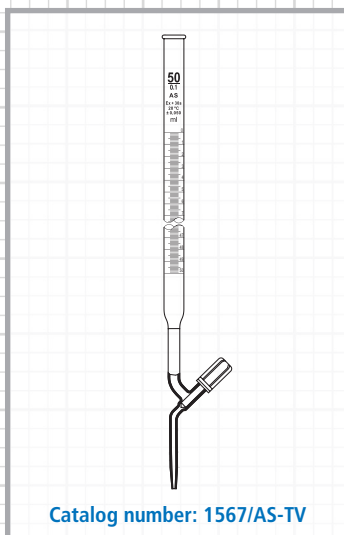
Bürette mit Einweghahn, PTFE-Küken, mit Schellbach-Streifen, QUALICOLOR, Klasse B
Byreta s přímým kohoutem s teflonovým kladívkem, se Schellbachovým pruhem, QUALICOLOR, třída B

ISO: 385

Code	Capacity (ml)	Subdivision (ml)	Permitted error (\pm ml)	Drawing	Packing (pcs)
632 435 226 519	10	0.02	0.050	2920	1
632 435 226 619	10	0.05	0.050	2921	1
632 435 226 719	10 *	0.1	0.050	3290	1
632 435 226 623	25	0.05	0.050	2922	1
632 435 226 723	25	0.1	0.100	2923	1
632 435 226 725	50	0.1	0.100	2924	1
632 435 226 831	100	0.2	0.200	2925	1

Notice: * not according to ISO standard Borosilicate glass

BURETTE WITH STRAIGHT PTFE VALVE, QUALICOLOR, CLASS AS



Bürette mit geradem PTFE-Ventil, QUALICOLOR, Klasse AS
Byreta s přímým teflonovým ventilem, QUALICOLOR, třída AS

ISO: 385

Code	Capacity (ml)	Subdivision (ml)	Permitted error (\pm ml)	Drawing	Packing (pcs)
632 435 458 519	10	0.02	0.020	2934	1
632 435 458 619	10	0.05	0.030	2935	1
632 435 458 719	10 *	0.1	0.030	3291	1
632 435 458 623	25	0.05	0.030	2936	1
632 435 458 723	25	0.1	0.050	2937	1
632 435 458 725	50	0.1	0.050	2938	1
632 435 458 831	100	0.2	0.100	2939	1

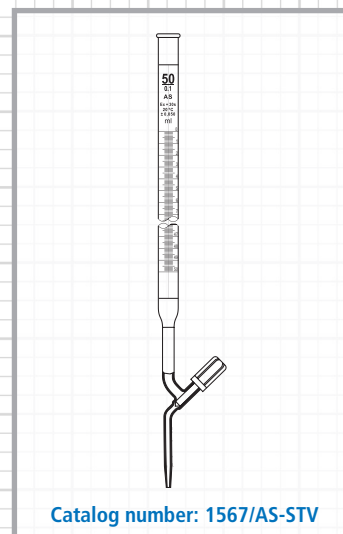
Notice: * not according to ISO standard Borosilicate glass

BURETTE WITH STRAIGHT PTFE VALVE, WITH SCHELLBACH STRIPE, QUALICOLOR, CLASS AS

Bürette mit geradem PTFE-Ventil, mit Schellbach-Streifen, QUALICOLOR, Klasse AS
 Byreta s přímým teflonovým ventilem, se Schellbachovým pruhem, QUALICOLOR, třída AS

ISO: 385

Code	Capacity (ml)	Subdivision (ml)	Permitted error (\pm ml)	Drawing	Packing (pcs)
632 435 478 519	10	0.02	0.020	2940	1
632 435 478 619	10	0.05	0.030	2941	1
632 435 478 719	10 *	0.1	0.030	3292	1
632 435 478 623	25	0.05	0.030	2942	1
632 435 478 723	25	0.1	0.050	2943	1
632 435 478 725	50	0.1	0.050	2944	1
632 435 478 831	100	0.2	0.100	2945	1



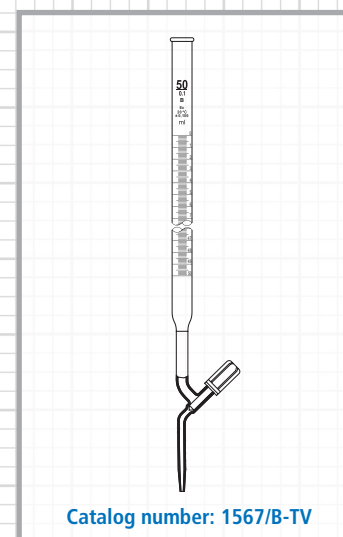
Notice: * not according to ISO standard Borosilicate glass

BURETTE WITH STRAIGHT PTFE VALVE, QUALICOLOR, CLASS B

Bürette mit geradem PTFE-Ventil, QUALICOLOR, Klasse B
 Byreta s přímým teflonovým ventilem, QUALICOLOR, třída B

ISO: 385

Code	Capacity (ml)	Subdivision (ml)	Permitted error (\pm ml)	Drawing	Packing (pcs)
632 435 408 519	10	0.02	0.050	2926	1
632 435 408 619	10	0.05	0.050	2147.1	1
632 435 408 719	10 *	0.1	0.050	3293	1
632 435 408 623	25	0.05	0.050	2927	1
632 435 408 723	25	0.1	0.100	2148.1	1
632 435 408 725	50	0.1	0.100	2149.1	1
632 435 408 831	100	0.2	0.200	2150.1	1



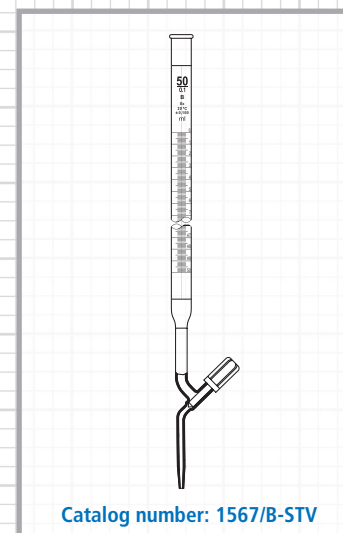
Notice: * not according to ISO standard Borosilicate glass

BURETTE WITH STRAIGHT PTFE VALVE, WITH SCHELLBACH STRIPE, QUALICOLOR, CLASS B

Bürette mit geradem PTFE-Ventil, mit Schellbach-Streifen, QUALICOLOR, Klasse B
 Byreta s přímým teflonovým ventilem, se Schellbachovým pruhem, QUALICOLOR, třída B

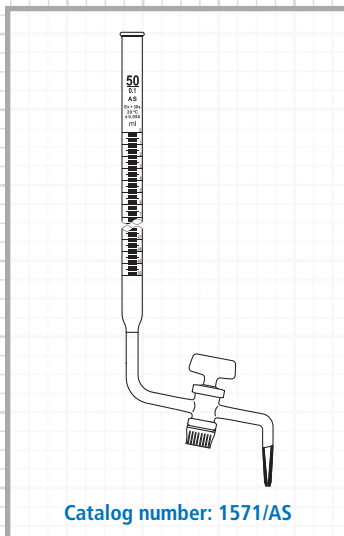
ISO: 385

Code	Capacity (ml)	Subdivision (ml)	Permitted error (\pm ml)	Drawing	Packing (pcs)
632 435 428 519	10	0.02	0.050	2928	1
632 435 428 619	10	0.05	0.050	2929	1
632 435 428 719	10 *	0.1	0.050	3294	1
632 435 428 623	25	0.05	0.050	2930	1
632 435 428 723	25	0.1	0.100	2931	1
632 435 428 725	50	0.1	0.100	2932	1
632 435 428 831	100	0.2	0.200	2933	1



Notice: * not according to ISO standard Borosilicate glass

BURETTE WITH LATERAL STOPCOCK, GLASS KEY, QUALICOLOR, CLASS AS



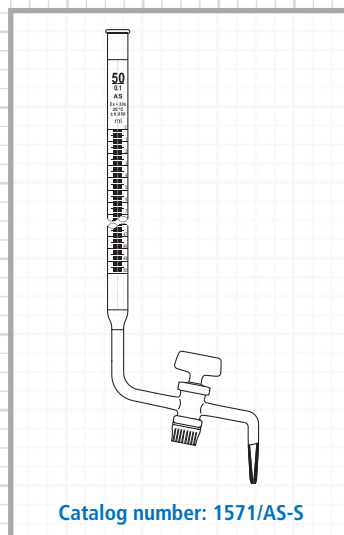
Bürette mit seitlichem Hahn, Glas-Küken, QUALICOLOR, Klasse AS
 Byreta s postranním kohoutem se skleněným kladívkem, QUALICOLOR, třída AS

ISO: 385

Code	Capacity (ml)	Subdivision (ml)	Permitted error (\pm ml)	Drawing	Packing (pcs)
632 435 356 519	10	0.02	0.020	3009	1
632 435 356 619	10	0.05	0.030	3010	1
632 435 356 719	10 *	0.1	0.030	3295	1
632 435 356 623	25	0.05	0.030	3011	1
632 435 356 723	25	0.1	0.050	3012	1
632 435 356 725	50	0.1	0.050	3013	1
632 435 356 831	100	0.2	0.100	3014	1

Notice: * not according to ISO standard Borosilicate glass

BURETTE WITH LATERAL STOPCOCK, GLASS KEY, WITH SCHELLBACH STRIPE, QUALICOLOR, CLASS AS



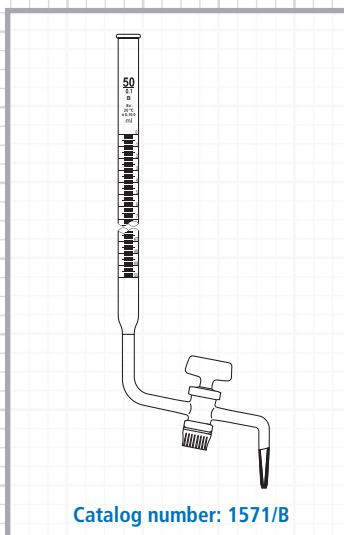
Bürette mit seitlichem Hahn, Glas-Küken, mit Schellbach-Streifen, QUALICOLOR, Klasse AS
 Byreta s postranním kohoutem se skleněným kladívkem, se Schellbachovým pruhem, QUALICOLOR, třída AS

ISO: 385

Code	Capacity (ml)	Subdivision (ml)	Permitted error (\pm ml)	Drawing	Packing (pcs)
632 435 376 519	10	0.02	0.020	3296	1
632 435 376 619	10	0.05	0.030	3297	1
632 435 376 719	10 *	0.1	0.030	3302	1
632 435 376 623	25	0.05	0.030	3298	1
632 435 376 723	25	0.1	0.050	3299	1
632 435 376 725	50	0.1	0.050	3300	1
632 435 376 831	100	0.2	0.100	3301	1

Notice: * not according to ISO standard Borosilicate glass

BURETTE WITH LATERAL STOPCOCK, GLASS KEY, QUALICOLOR, CLASS B



Bürette mit seitlichem Hahn, Glas-Küken, QUALICOLOR, Klasse B
 Byreta s postranním kohoutem se skleněným kladívkem, QUALICOLOR, třída B

ISO: 385

Code	Capacity (ml)	Subdivision (ml)	Permitted error (\pm ml)	Drawing	Packing (pcs)
632 435 306 519	10	0.02	0.050	3003	1
632 435 306 619	10	0.05	0.050	3004	1
632 435 306 719	10 *	0.1	0.050	3303	1
632 435 306 623	25	0.05	0.050	3005	1
632 435 306 723	25	0.1	0.100	3006	1
632 435 306 725	50	0.1	0.100	3007	1
632 435 306 831	100	0.2	0.200	3008	1

Notice: * not according to ISO standard Borosilicate glass

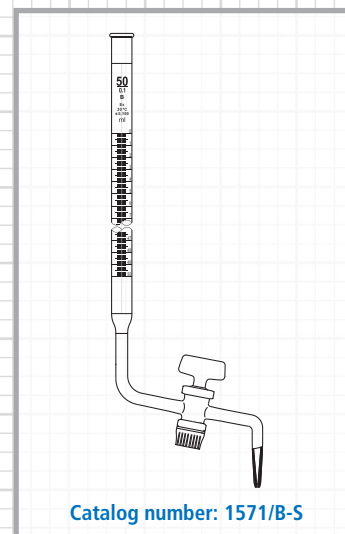
BURETTE WITH LATERAL STOPCOCK, GLASS KEY, WITH SCHELLBACH STRIPE, QUALICOLOR, CLASS B

Bürette mit seitlichem Hahn, Glas-Küken, mit Schellbach-Streifen, QUALICOLOR, Klasse B

Byreta s postranním kohoutem se skleněným kladívkem, se Schellbachovým pruhem, QUALICOLOR, třída B

ISO: 385

Code	Capacity (ml)	Subdivision (ml)	Permitted error (\pm ml)	Drawing	Packing (pcs)
632 435 326 519	10	0.02	0.050	3304	1
632 435 326 619	10	0.05	0.050	3305	1
632 435 326 719	10 *	0.1	0.050	3310	1
632 435 326 623	25	0.05	0.050	3306	1
632 435 326 723	25	0.1	0.100	3307	1
632 435 326 725	50	0.1	0.100	3308	1
632 435 326 831	100	0.2	0.200	3309	1



Catalog number: 1571/B-S

Notice: * not according to ISO standard Borosilicate glass

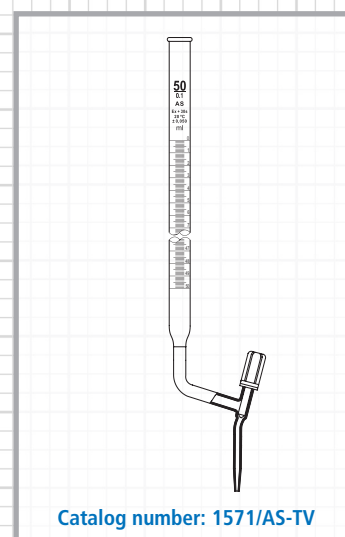
BURETTE WITH LATERAL PTFE VALVE, QUALICOLOR, CLASS AS

Bürette mit seitlichem PTFE-Ventil, QUALICOLOR, Klasse AS

Byreta s postranním teflonovým ventilem, QUALICOLOR, třída AS

ISO: 385

Code	Capacity (ml)	Subdivision (ml)	Permitted error (\pm ml)	Drawing	Packing (pcs)
632 435 456 519	10	0.02	0.020	3311	1
632 435 456 619	10	0.05	0.030	3312	1
632 435 456 719	10 *	0.1	0.030	3316	1
632 435 456 623	25	0.05	0.030	3313	1
632 435 456 723	25	0.1	0.050	3314	1
632 435 456 725	50	0.1	0.050	1978	1
632 435 456 831	100	0.2	0.100	3315	1



Catalog number: 1571/AS-TV

Notice: * not according to ISO standard Borosilicate glass

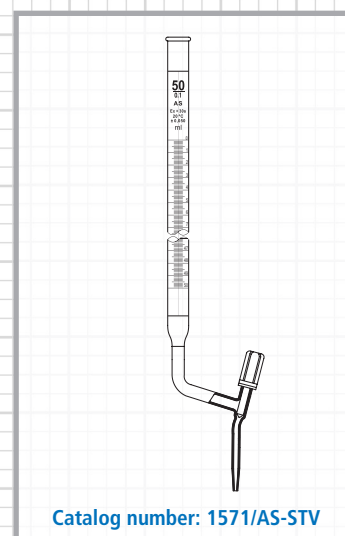
BURETTE WITH LATERAL PTFE VALVE, WITH SCHELLBACH STRIPE, QUALICOLOR, CLASS AS

Bürette mit seitlichem PTFE-Ventil, mit Schellbach-Streifen, QUALICOLOR, Klasse AS

Byreta s postranním teflonovým ventilem, se Schellbachovým pruhem, QUALICOLOR, třída AS

ISO: 385

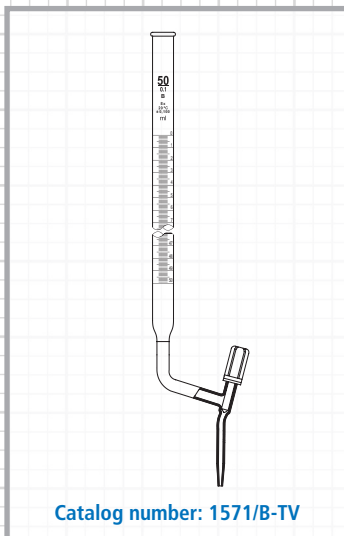
Code	Capacity (ml)	Subdivision (ml)	Permitted error (\pm ml)	Drawing	Packing (pcs)
632 435 476 519	10	0.02	0.020	3317	1
632 435 476 619	10	0.05	0.030	3318	1
632 435 476 719	10 *	0.1	0.030	3323	1
632 435 476 623	25	0.05	0.030	3319	1
632 435 476 723	25	0.1	0.050	3320	1
632 435 476 725	50	0.1	0.050	3321	1
632 435 476 831	100	0.2	0.100	3322	1



Catalog number: 1571/AS-STV

Notice: * not according to ISO standard Borosilicate glass

BURETTE WITH LATERAL PTFE VALVE, QUALICOLOR, CLASS B



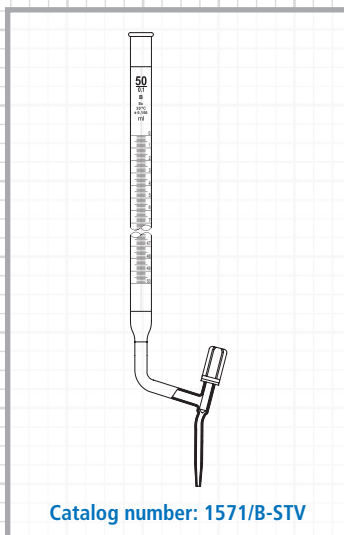
Bürette mit seitlichem PTFE-Ventil, QUALICOLOR, Klasse B
Byreta s postranním teflonovým ventilem, QUALICOLOR, třída B

ISO: 385

Code	Capacity (ml)	Subdivision (ml)	Permitted error (\pm ml)	Drawing	Packing (pcs)
632 435 406 519	10	0.02	0.050	3324	1
632 435 406 619	10	0.05	0.050	3325	1
632 435 406 719	10 *	0.1	0.050	3330	1
632 435 406 623	25	0.05	0.050	3326	1
632 435 406 723	25	0.1	0.100	3327	1
632 435 406 725	50	0.1	0.100	3328	1
632 435 406 831	100	0.2	0.200	3329	1

Notice: * not according to ISO standard Borosilicate glass

BURETTE WITH LATERAL PTFE VALVE, WITH SCHELLBACH STRIPE, QUALICOLOR, CLASS B



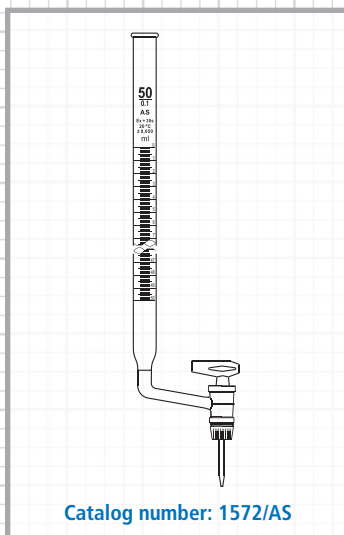
Bürette mit seitlichem PTFE-Ventil, mit Schellbach-Streifen, QUALICOLOR, Klasse B
Byreta s postranním teflonovým ventilem, se Schellbachovým pruhem, QUALICOLOR, třída B

ISO: 385

Code	Capacity (ml)	Subdivision (ml)	Permitted error (\pm ml)	Drawing	Packing (pcs)
632 435 426 519	10	0.02	0.050	3331	1
632 435 426 619	10	0.05	0.050	3332	1
632 435 426 719	10 *	0.1	0.050	3337	1
632 435 426 623	25	0.05	0.050	3333	1
632 435 426 723	25	0.1	0.100	3334	1
632 435 426 725	50	0.1	0.100	3335	1
632 435 426 831	100	0.2	0.200	3336	1

Notice: * not according to ISO standard Borosilicate glass

BURETTE WITH LATERAL STOPCOCK, LATERAL GLASS KEY, QUALICOLOR, CLASS AS



Bürette mit seitlichem Hahn, seitliches Glas-Küken, QUALICOLOR, Klasse AS
Byreta s bočním kohoutem a bočním skleněným kladivkem, QUALICOLOR, třída AS

ISO: 385

Code	Capacity (ml)	Subdivision (ml)	Permitted error (\pm ml)	Drawing	Packing (pcs)
632 435 357 519	10	0.02	0.020	3338	1
632 435 357 619	10	0.05	0.030	3339	1
632 435 357 719	10 *	0.1	0.030	3340	1
632 435 357 623	25	0.05	0.030	3341	1
632 435 357 723	25	0.1	0.050	3342	1
632 435 357 725	50	0.1	0.050	3343	1
632 435 357 831	100	0.2	0.100	3344	1

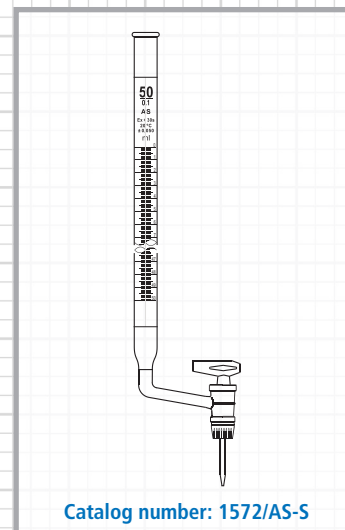
Notice: * not according to ISO standard Borosilicate glass

BURETTE WITH LATERAL STOPCOCK, LATERAL GLASS KEY, WITH SCHELLBACH STRIPE, QUALICOLOR, CLASS AS

Bürette mit seitlichem Hahn, seitliches Glas-Küken, mit Schellbach-Streifen, QUALICOLOR, Klasse AS
 Byreta s bočním kohoutem a bočním skleněným kladívkem, se Schellbachovým pruhem, QUALICOLOR, třída AS

ISO: 385

Code	Capacity (ml)	Subdivision (ml)	Permitted error (\pm ml)	Drawing	Packing (pcs)
632 435 377 519	10	0.02	0.020	3345	1
632 435 377 619	10	0.05	0.030	3346	1
632 435 377 719	10 *	0.1	0.030	3347	1
632 435 377 623	25	0.05	0.030	3348	1
632 435 377 723	25	0.1	0.050	3349	1
632 435 377 725	50	0.1	0.050	3350	1
632 435 377 831	100	0.2	0.100	3351	1



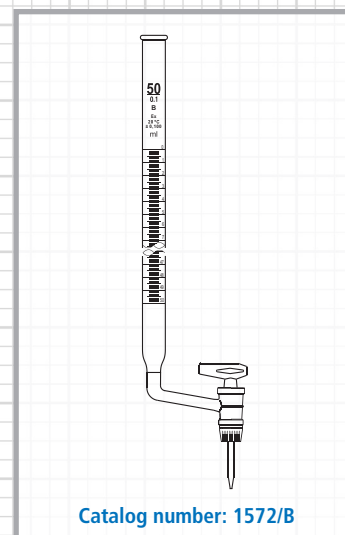
Notice: * not according to ISO standard Borosilicate glass

BURETTE WITH LATERAL STOPCOCK, LATERAL GLASS KEY, QUALICOLOR, CLASS B

Bürette mit seitlichem Hahn, seitliches Glas-Küken, QUALICOLOR, Klasse B
 Byreta s bočním kohoutem a bočním skleněným kladívkem, QUALICOLOR, třída B

ISO: 385

Code	Capacity (ml)	Subdivision (ml)	Permitted error (\pm ml)	Drawing	Packing (pcs)
632 435 307 519	10	0.02	0.050	3352	1
632 435 307 619	10	0.05	0.050	3353	1
632 435 307 719	10 *	0.1	0.050	3354	1
632 435 307 623	25	0.05	0.050	3355	1
632 435 307 723	25	0.1	0.100	3356	1
632 435 307 725	50	0.1	0.100	3357	1
632 435 307 831	100	0.2	0.200	3358	1



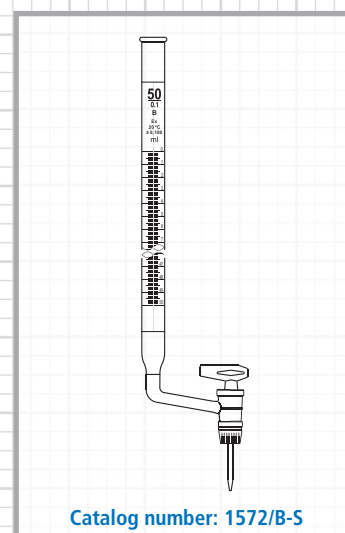
Notice: * not according to ISO standard Borosilicate glass

BURETTE WITH LATERAL STOPCOCK, LATERAL GLASS KEY, WITH SCHELLBACH STRIPE, QUALICOLOR, CLASS B

Bürette mit seitlichem Hahn, seitliches Glas-Küken, mit Schellbach-Streifen, QUALICOLOR, Klasse B
 Byreta s bočním kohoutem a bočním skleněným kladívkem, se Schellbachovým pruhem, QUALICOLOR, třída B

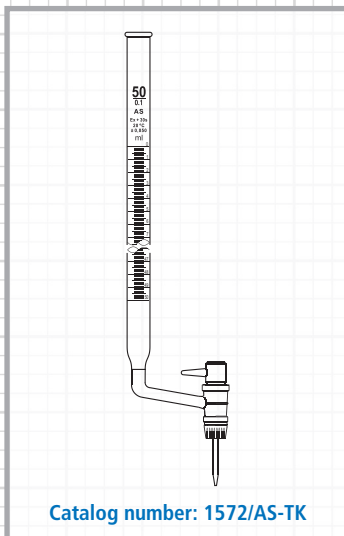
ISO: 385

Code	Capacity (ml)	Subdivision (ml)	Permitted error (\pm ml)	Drawing	Packing (pcs)
632 435 327 519	10	0.02	0.050	3359	1
632 435 327 619	10	0.05	0.050	3360	1
632 435 327 719	10 *	0.1	0.050	3361	1
632 435 327 623	25	0.05	0.050	3362	1
632 435 327 723	25	0.1	0.100	3363	1
632 435 327 725	50	0.1	0.100	3364	1
632 435 327 831	100	0.2	0.200	3365	1



Notice: * not according to ISO standard Borosilicate glass

BURETTE WITH LATERAL STOPCOCK, LATERAL PTFE KEY, QUALICOLOR, CLASS AS

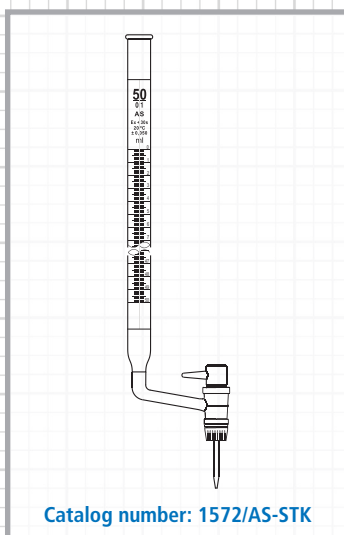


Bürette mit seitlichem Hahn, seitliches PTFE-Küken, QUALICOLOR, Klasse AS
 Byreta s bočním kohoutem a bočním teflonovým kladívkem, QUALICOLOR, třída AS

Code	Capacity (ml)	Subdivision (ml)	Drawing	Packing (pcs)
632 435 360 519	10	0.02	3366	1
632 435 360 619	10	0.05	3367	1
632 435 360 719	10	0.1	3368	1
632 435 360 623	25	0.05	3369	1
632 435 360 723	25	0.1	3370	1
632 435 360 725	50	0.1	3371	1
632 435 360 831	100	0.2	3372	1

Notice: Borosilicate glass

BURETTE WITH LATERAL STOPCOCK, LATERAL PTFE KEY, WITH SCHELLBACH STRIPE, QUALICOLOR, CLASS AS

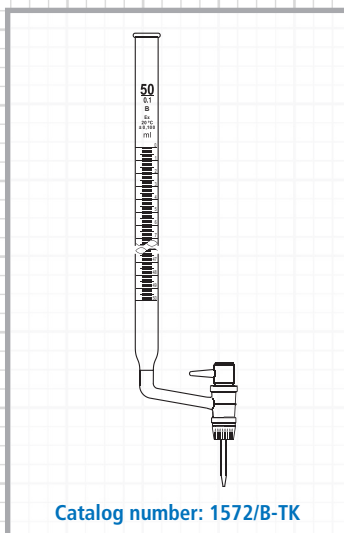


Bürette mit seitlichem Hahn, seitliches PTFE-Küken, mit Schellbach-Streifen, QUALICOLOR, Klasse AS
 Byreta s bočním kohoutem a bočním teflonovým kladívkem, se Schellbachovým pruhem, QUALICOLOR, třída AS

Code	Capacity (ml)	Subdivision (ml)	Drawing	Packing (pcs)
632 435 380 519	10	0.02	3373	1
632 435 380 619	10	0.05	3374	1
632 435 380 719	10	0.1	3375	1
632 435 380 623	25	0.05	3376	1
632 435 380 723	25	0.1	3377	1
632 435 380 725	50	0.1	3378	1
632 435 380 831	100	0.2	3379	1

Notice: Borosilicate glass

BURETTE WITH LATERAL STOPCOCK, LATERAL PTFE KEY, QUALICOLOR, CLASS B



Bürette mit seitlichem Hahn, seitliches PTFE-Küken, QUALICOLOR, Klasse B
 Byreta s bočním kohoutem a bočním teflonovým kladívkem, QUALICOLOR, třída B

Code	Capacity (ml)	Subdivision (ml)	Drawing	Packing (pcs)
632 435 310 519	10	0.02	3380	1
632 435 310 619	10	0.05	3381	1
632 435 310 719	10	0.1	3382	1
632 435 310 623	25	0.05	3383	1
632 435 310 723	25	0.1	3384	1
632 435 310 725	50	0.1	3385	1
632 435 310 831	100	0.2	3386	1

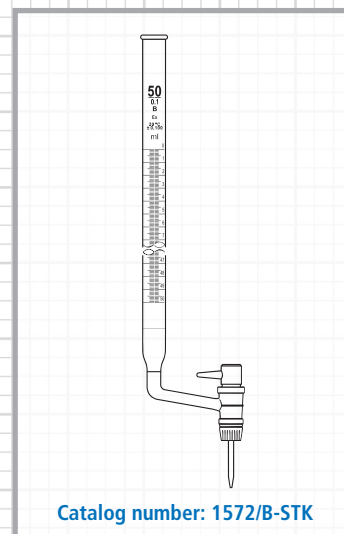
Notice: Borosilicate glass

BURETTE WITH LATERAL STOPCOCK, LATERAL PTFE KEY, WITH SCHELLBACH STRIPE, QUALICOLOR, CLASS B

Bürette mit seitlichem Hahn, seitliches PTFE-Küken, mit Schellbach-Streifen, QUALICOLOR, Klasse B
 Byreta s bočním kohoutem a bočním teflonovým kladivkem, se Schellbachovým pruhem, QUALICOLOR, třída B

Code	Capacity (ml)	Subdivision (ml)	Drawing	Packing (pcs)
632 435 330 519	10	0.02	3387	1
632 435 330 619	10	0.05	3388	1
632 435 330 719	10	0.1	3389	1
632 435 330 623	25	0.05	3390	1
632 435 330 723	25	0.1	3391	1
632 435 330 725	50	0.1	3392	1
632 435 330 831	100	0.2	3393	1

Notice: Borosilicate glass



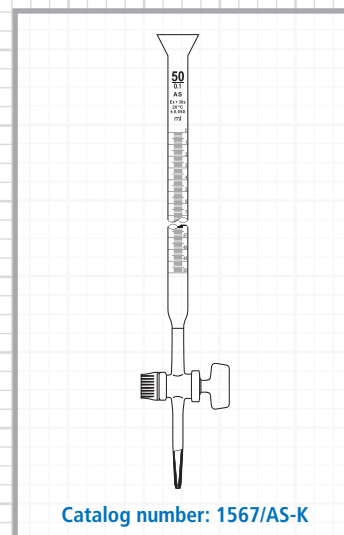
Catalog number: 1572/B-STK

BURETTE WITH STRAIGHT STOPCOCK, GLASS KEY, WITH CONICAL CUP, QUALICOLOR, CLASS AS

Bürette mit Einweghahn, Glas-Küken, mit trichterförmiger Mündung, QUALICOLOR, Klasse AS
 Byreta s přímým kohoutem se skleněným kladivkem, s rozšířeným kalichem, QUALICOLOR, třída AS

Code	Capacity (ml)	Subdivision (ml)	Permitted error (\pm ml)	Drawing	Packing (pcs)	ISO: 385
632 435 166 519	10	0.02	0.020	3657	1	
632 435 166 619	10	0.05	0.030	3658	1	
632 435 166 719	10*	0.1	0.030	3659	1	
632 435 166 623	25	0.05	0.030	3660	1	
632 435 166 723	25	0.1	0.050	3661	1	
632 435 166 725	50	0.1	0.050	3662	1	
632 435 166 831	100	0.2	0.100	3663	1	

Notice: * not according to ISO standard Borosilicate glass



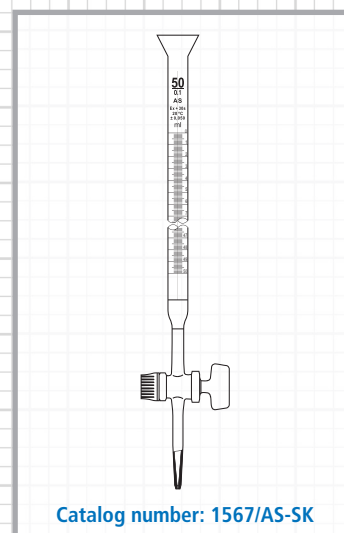
Catalog number: 1567/AS-K

BURETTE WITH STRAIGHT STOPCOCK, GLASS KEY, WITH SCHELLBACH STRIPE, WITH CONICAL CUP, QUALICOLOR, CLASS AS

Bürette mit Einweghahn, Glas-Küken, mit Schellbach-Streifen, mit trichterförmiger Mündung, QUALICOLOR, Klasse AS
 Byreta s přímým kohoutem se skleněným kladivkem, se Schellbachovým pruhem, s rozšířeným kalichem, QUALICOLOR, třída AS

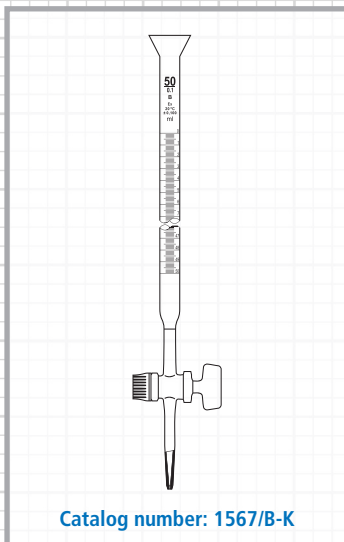
Code	Capacity (ml)	Subdivision (ml)	Permitted error (\pm ml)	Drawing	Packing (pcs)	ISO: 385
632 435 186 519	10	0.02	0.020	3664	1	
632 435 186 619	10	0.05	0.030	3665	1	
632 435 186 719	10*	0.1	0.030	3666	1	
632 435 186 623	25	0.05	0.030	3667	1	
632 435 186 723	25	0.1	0.050	3668	1	
632 435 186 725	50	0.1	0.050	3669	1	
632 435 186 831	100	0.2	0.100	3670	1	

Notice: * not according to ISO standard Borosilicate glass



Catalog number: 1567/AS-SK

BURETTE WITH STRAIGHT STOPCOCK, GLASS KEY, WITH CONICAL CUP, QUALICOLOR, CLASS B



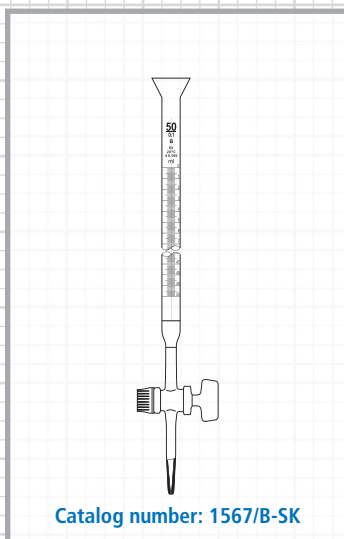
Bürette mit Einweghahn, Glas-Küken, mit trichterförmiger Mündung, QUALICOLOR, Klasse B
 Byreta s přímým kohoutem se skleněným kladívkem, s rozšířeným kalichem, QUALICOLOR, třída B

ISO: 385

Code	Capacity (ml)	Subdivision (ml)	Permitted error (\pm ml)	Drawing	Packing (pcs)
632 435 116 519	10	0.02	0.050	3671	1
632 435 116 619	10	0.05	0.050	3672	1
632 435 116 719	10 *	0.1	0.050	3673	1
632 435 116 623	25	0.05	0.050	3674	1
632 435 116 723	25	0.1	0.100	3675	1
632 435 116 725	50	0.1	0.100	3676	1
632 435 116 831	100	0.2	0.200	3677	1

Notice: * not according to ISO standard Borosilicate glass

BURETTE WITH STRAIGHT STOPCOCK, GLASS KEY, WITH SCHELLBACH STRIPE, WITH CONICAL CUP, QUALICOLOR, CLASS B



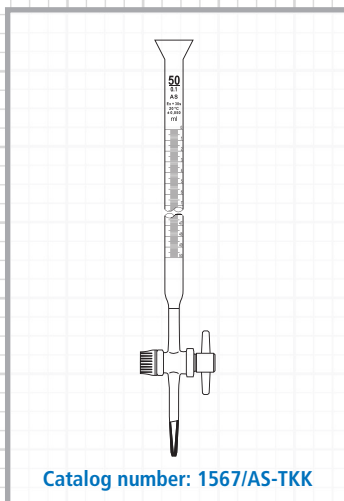
Bürette mit Einweghahn, Glas-Küken, mit Schellbach-Streifen, mit trichterförmiger Mündung, QUALICOLOR, Klasse B
 Byreta s přímým kohoutem se skleněným kladívkem, se Schellbachovým pruhem, s rozšířeným kalichem, QUALICOLOR, třída B

ISO: 385

Code	Capacity (ml)	Subdivision (ml)	Permitted error (\pm ml)	Drawing	Packing (pcs)
632 435 136 519	10	0.02	0.050	3678	1
632 435 136 619	10	0.05	0.050	3679	1
632 435 136 719	10 *	0.1	0.050	3680	1
632 435 136 623	25	0.05	0.050	3681	1
632 435 136 723	25	0.1	0.100	3682	1
632 435 136 725	50	0.1	0.100	3683	1
632 435 136 831	100	0.2	0.200	3684	1

Notice: * not according to ISO standard Borosilicate glass

BURETTE WITH STRAIGHT STOPCOCK, PTFE KEY, WITH CONICAL CUP, QUALICOLOR, CLASS AS



Bürette mit Einweghahn, PTFE-Küken, mit trichterförmiger Mündung, QUALICOLOR, Klasse AS
 Byreta s přímým kohoutem s teflonovým kladívkem, s rozšířeným kalichem, QUALICOLOR, třída AS

ISO: 385

Code	Capacity (ml)	Subdivision (ml)	Permitted error (\pm ml)	Drawing	Packing (pcs)
632 435 266 519	10	0.02	0.020	3685	1
632 435 266 619	10	0.05	0.030	3686	1
632 435 266 719	10 *	0.1	0.030	3687	1
632 435 266 623	25	0.05	0.030	2726	1
632 435 266 723	25	0.1	0.050	3688	1
632 435 266 725	50	0.1	0.050	2727	1
632 435 266 831	100	0.2	0.100	3689	1

Notice: * not according to ISO standard Borosilicate glass

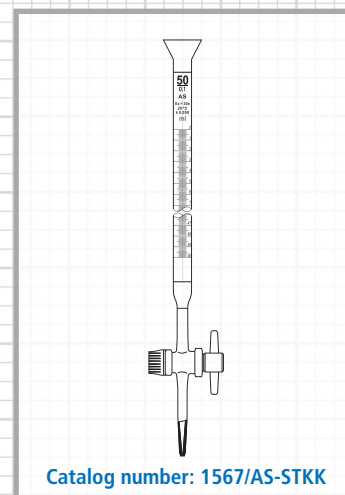
BURETTE WITH STRAIGHT STOPCOCK, PTFE KEY, WITH SCHELLBACH STRIPE, WITH CONICAL CUP, QUALICOLOR, CLASS AS

Bürette mit Einweghahn, PTFE-Küken, mit Schellbach-Streifen, mit trichterförmiger Mündung, QUALICOLOR, Klasse AS
 Byreta s přímým kohoutem s teflonovým kladívkem, se Schellbachovým pruhem, s rozšířeným kalichem, QUALICOLOR, třída AS

ISO: 385

Code	Capacity (ml)	Subdivision (ml)	Permitted error (\pm ml)	Drawing	Packing (pcs)
632 435 286 519	10	0.02	0.020	3690	1
632 435 286 619	10	0.05	0.030	3691	1
632 435 286 719	10 *	0.1	0.030	3692	1
632 435 286 623	25	0.05	0.030	3693	1
632 435 286 723	25	0.1	0.050	3694	1
632 435 286 725	50	0.1	0.050	3695	1
632 435 286 831	100	0.2	0.100	3696	1

Notice: * not according to ISO standard Borosilicate glass



Catalog number: 1567/AS-STKK

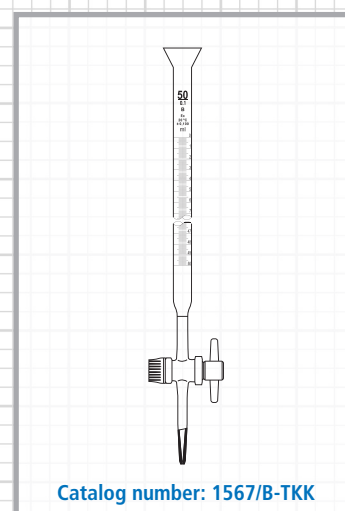
BURETTE WITH STRAIGHT STOPCOCK, PTFE KEY, WITH CONICAL CUP, QUALICOLOR, CLASS B

Bürette mit Einweghahn, PTFE-Küken, mit trichterförmiger Mündung, QUALICOLOR, Klasse B
 Byreta s přímým kohoutem s teflonovým kladívkem, s rozšířeným kalichem, QUALICOLOR, třída B

ISO: 385

Code	Capacity (ml)	Subdivision (ml)	Permitted error (\pm ml)	Drawing	Packing (pcs)
632 435 216 519	10	0.02	0.050	3697	1
632 435 216 619	10	0.05	0.050	3698	1
632 435 216 719	10 *	0.1	0.050	3699	1
632 435 216 623	25	0.05	0.050	3700	1
632 435 216 723	25	0.1	0.100	3701	1
632 435 216 725	50	0.1	0.100	3702	1
632 435 216 831	100	0.2	0.200	3703	1

Notice: * not according to ISO standard Borosilicate glass



Catalog number: 1567/B-TKK

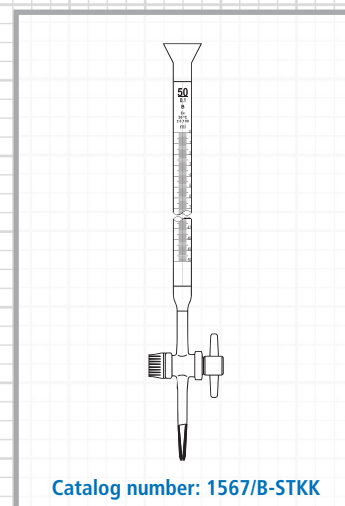
BURETTE WITH STRAIGHT STOPCOCK, PTFE KEY, WITH SCHELLBACH STRIPE, WITH CONICAL CUP, QUALICOLOR, CLASS B

Bürette mit Einweghahn, PTFE-Küken, mit Schellbach-Streifen, mit trichterförmiger Mündung, QUALICOLOR, Klasse B
 Byreta s přímým kohoutem s teflonovým kladívkem, se Schellbachovým pruhem, s rozšířeným kalichem, QUALICOLOR, třída B

ISO: 385

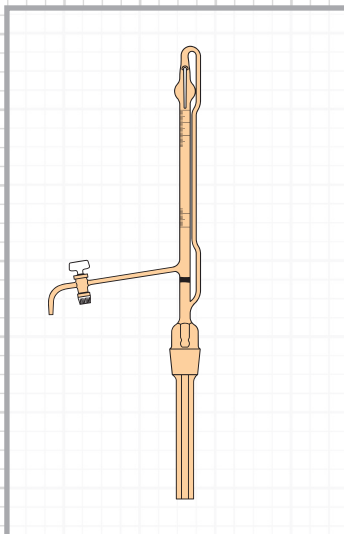
Code	Capacity (ml)	Subdivision (ml)	Permitted error (\pm ml)	Drawing	Packing (pcs)
632 435 236 519	10	0.02	0.050	3704	1
632 435 236 619	10	0.05	0.050	3705	1
632 435 236 719	10 *	0.1	0.050	3706	1
632 435 236 623	25	0.05	0.050	3707	1
632 435 236 723	25	0.1	0.100	3708	1
632 435 236 725	50	0.1	0.100	3709	1
632 435 236 831	100	0.2	0.200	3710	1

Notice: * not according to ISO standard Borosilicate glass



Catalog number: 1567/B-STKK

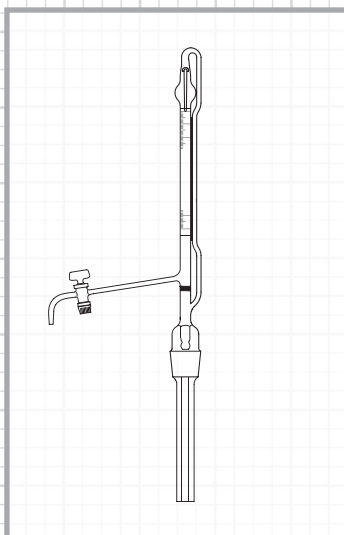
WE OFFER AMBER AUTOMATIC BURETTES



Wir bieten braune automatische Büretten an
Nabízíme hnědé automatické byřety

Code 632 436 000 000

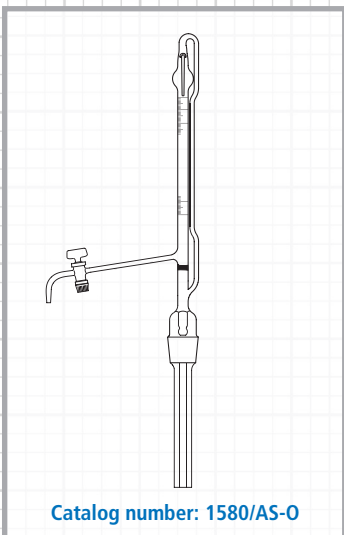
BATCH CONFORMITY FOR AUTOMATIC BURETTES



Chargenkonformität für automatische Büretten
Hromadná konformita pro automatické byřety

Code 632 436 000 001

AUTOMATIC BURETTE ACCORDING TO PELLET WITH STOPCOCK, GLASS KEY, QUALICOLOR, CLASS AS



Catalog number: 1580/AS-0

Automatische Bürette nach Pellet mit Auslaufhahn, Glas-Küken, QUALICOLOR, Klasse AS
Automatická byřeta podle Pelleta s výpustným kohoutem se skleněným kladivkem, QUALICOLOR, třída AS

ISO: 385

Code	Capacity (ml)	Subdivision (ml)	Permitted error (\pm ml)	Drawing	Packing (pcs)
632 436 666 519	10	0.02	0.020	3394	2
632 436 666 619	10	0.05	0.030	3395	2
632 436 666 719	10 *	0.1	0.030	3396	2
632 436 666 623	25	0.05	0.030	3397	2
632 436 666 723	25	0.1	0.050	3398	2
632 436 666 725	50	0.1	0.050	3399	2
632 436 666 831	100	0.2	0.100	3400	2

Notice: * not according to ISO standard Borosilicate glass

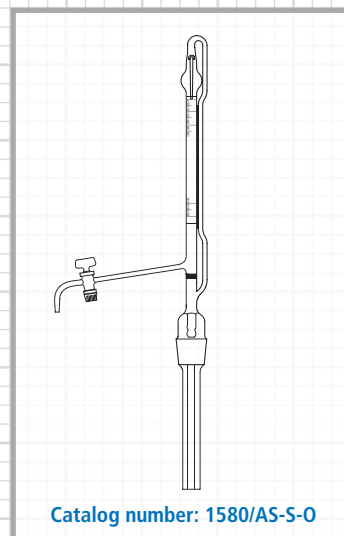
AUTOMATIC BURETTE ACCORDING TO PELLET WITH STOPCOCK, GLASS KEY, WITH SCHELLBACH STRIPE, QUALICOLOR, CLASS AS

Automatische Bürette nach Pellet mit Auslaufhahn, Glas-Küken, mit Schellbach-Streifen, QUALICOLOR, Klasse AS
 Automatická byreta podle Pelleta s výpustným kohoutem se skleněným kladívkem, se Schellbachovým pruhem, QUALICOLOR, třída AS

ISO: 385

Code	Capacity (ml)	Subdivision (ml)	Permitted error (\pm ml)	Drawing	Packing (pcs)
632 436 686 519	10	0.02	0.020	3401	2
632 436 686 619	10	0.05	0.030	3402	2
632 436 686 719	10 *	0.1	0.030	3403	2
632 436 686 623	25	0.05	0.030	3404	2
632 436 686 723	25	0.1	0.050	3405	2
632 436 686 725	50	0.1	0.050	3406	2
632 436 686 831	100	0.2	0.100	3407	2

Notice: * not according to ISO standard Borosilicate glass



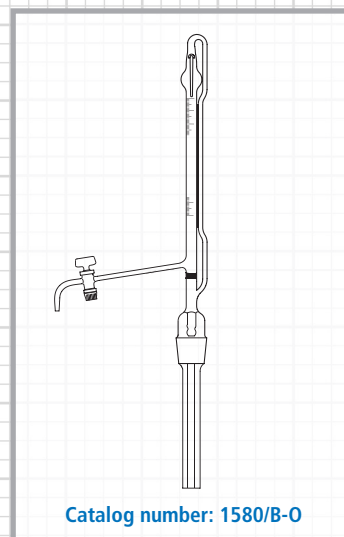
AUTOMATIC BURETTE ACCORDING TO PELLET WITH STOPCOCK, GLASS KEY, QUALICOLOR, CLASS B

Automatische Bürette nach Pellet mit Auslaufhahn, Glas-Küken, QUALICOLOR, Klasse B
 Automatická byreta podle Pelleta s výpustným kohoutem se skleněným kladívkem, QUALICOLOR, třída B

ISO: 385

Code	Capacity (ml)	Subdivision (ml)	Permitted error (\pm ml)	Drawing	Packing (pcs)
632 436 166 519	10	0.02	0.050	3408	2
632 436 166 619	10	0.05	0.050	3048	2
632 436 166 719	10 *	0.1	0.050	3409	2
632 436 166 623	25	0.05	0.050	3410	2
632 436 166 723	25	0.1	0.100	3049	2
632 436 166 725	50	0.1	0.100	3050	2
632 436 166 831	100	0.2	0.200	3055	2

Notice: * not according to ISO standard Borosilicate glass



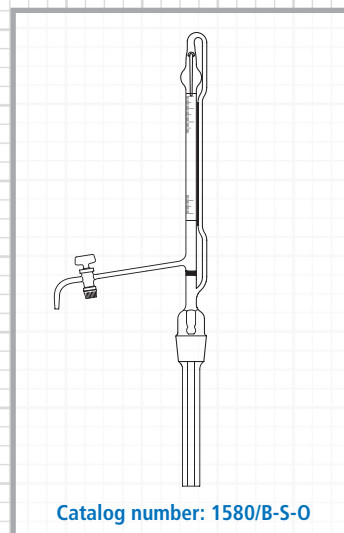
AUTOMATIC BURETTE ACCORDING TO PELLET WITH STOPCOCK, GLASS KEY, WITH SCHELLBACH STRIPE, QUALICOLOR, CLASS B

Automatische Bürette nach Pellet mit Auslaufhahn, Glas-Küken, mit Schellbach-Streifen, QUALICOLOR, Klasse B
 Automatická byreta podle Pelleta s výpustným kohoutem se skleněným kladívkem, se Schellbachovým pruhem, QUALICOLOR, třída B

ISO: 385

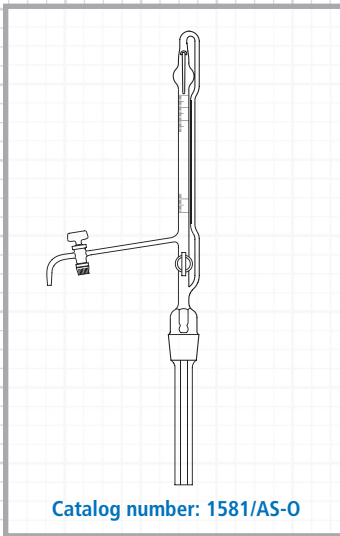
Code	Capacity (ml)	Subdivision (ml)	Permitted error (\pm ml)	Drawing	Packing (pcs)
632 436 186 519	10	0.02	0.050	3411	2
632 436 186 619	10	0.05	0.050	3412	2
632 436 186 719	10 *	0.1	0.050	3413	2
632 436 186 623	25	0.05	0.050	3414	2
632 436 186 723	25	0.1	0.100	3415	2
632 436 186 725	50	0.1	0.100	3416	2
632 436 186 831	100	0.2	0.200	3417	2

Notice: * not according to ISO standard Borosilicate glass



AUTOMATIC BURETTES

AUTOMATIC BURETTE ACCORDING TO PELLET WITH STOPCOCK, WITH INTERMEDIATE STOPCOCK, WITH GLASS KEY, QUALICOLOR, CLASS AS



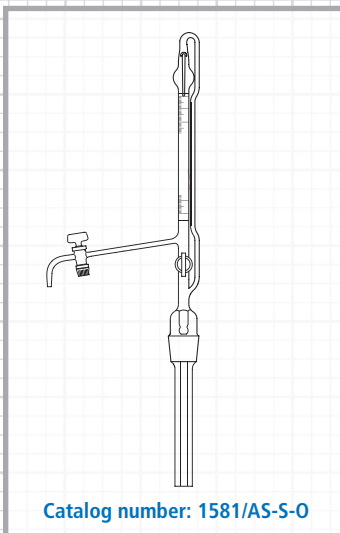
Automatische Bürette nach Pellet mit Auslaufhahn, mit Umlaufhahn, mit Glas-Küken, QUALICOLOR, Klasse AS
 Automatická byreta podle Pelleta s výpustným kohoutem, s přepouštěcím kohoutem, se skleněnými kladivky, QUALICOLOR, třída AS

ISO: 385

Code	Capacity (ml)	Subdivision (ml)	Permitted error (\pm ml)	Drawing	Packing (pcs)
632 436 766 519	10	0.02	0.020	3418	2
632 436 766 619	10	0.05	0.030	3419	2
632 436 766 719	10 *	0.1	0.030	3420	2
632 436 766 623	25	0.05	0.030	3421	2
632 436 766 723	25	0.1	0.050	3422	2
632 436 766 725	50	0.1	0.050	3423	2
632 436 766 831	100	0.2	0.100	3424	2

Notice: * not according to ISO standard Borosilicate glass

AUTOMATIC BURETTE ACCORDING TO PELLET WITH STOPCOCK, WITH INTERMEDIATE STOPCOCK, WITH GLASS KEY, WITH SCHELLBACH STRIPE, QUALICOLOR, CLASS AS



Automatische Bürette nach Pellet mit Auslaufhahn, mit Umlaufhahn, mit Glas-Küken, mit Schellbach-Streifen, QUALICOLOR, Klasse AS

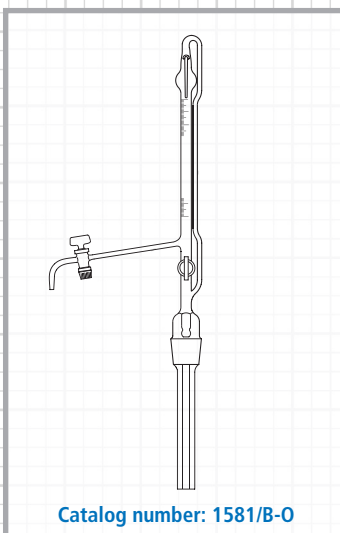
Automatická byreta podle Pelleta s výpustným kohoutem, s přepouštěcím kohoutem, se skleněnými kladivky, se Schellbachovým pruhem, QUALICOLOR, třída AS

ISO: 385

Code	Capacity (ml)	Subdivision (ml)	Permitted error (\pm ml)	Drawing	Packing (pcs)
632 436 786 519	10	0.02	0.020	3425	2
632 436 786 619	10	0.05	0.030	3426	2
632 436 786 719	10 *	0.1	0.030	3427	2
632 436 786 623	25	0.05	0.030	3428	2
632 436 786 723	25	0.1	0.050	3429	2
632 436 786 725	50	0.1	0.050	3430	2
632 436 786 831	100	0.2	0.100	3431	2

Notice: * not according to ISO standard Borosilicate glass

AUTOMATIC BURETTE ACCORDING TO PELLET WITH STOPCOCK, WITH INTERMEDIATE STOPCOCK, WITH GLASS KEY, QUALICOLOR, CLASS B



Automatische Bürette nach Pellet mit Auslaufhahn, mit Umlaufhahn, mit Glas-Küken, QUALICOLOR, Klasse B

Automatická byreta podle Pelleta s výpustným kohoutem, s přepouštěcím kohoutem, se skleněnými kladivky, QUALICOLOR, třída B

ISO: 385

Code	Capacity (ml)	Subdivision (ml)	Permitted error (\pm ml)	Drawing	Packing (pcs)
632 436 266 519	10	0.02	0.050	3432	2
632 436 266 619	10	0.05	0.050	3051	2
632 436 266 719	10 *	0.1	0.050	3433	2
632 436 266 623	25	0.05	0.050	3434	2
632 436 266 723	25	0.1	0.100	3052	2
632 436 266 725	50	0.1	0.100	3053	2
632 436 266 831	100	0.2	0.200	3054	2

Notice: * not according to ISO standard Borosilicate glass

AUTOMATIC BURETTE ACCORDING TO PELLET WITH STOPCOCK, WITH INTERMEDIATE STOPCOCK, WITH GLASS KEY, WITH SCHELLBACH STRIPE, QUALICOLOR, CLASS B

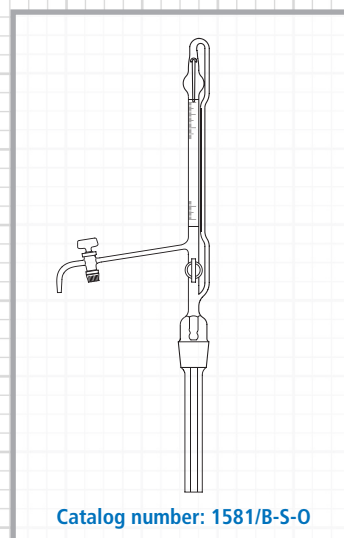
Automatische Bürette nach Pellet mit Auslaufhahn, mit Umlaufhahn, mit Glas-Küken, mit Schellbach-Streifen, QUALICOLOR, Klasse B

Automatická byreta podle Pelleta s výpustným kohoutem, s přepouštěcím kohoutem, se skleněnými kladivky, se Schellbachovým pruhem, QUALICOLOR, třída B

ISO: 385

Code	Capacity (ml)	Subdivision (ml)	Permitted error (\pm ml)	Drawing	Packing (pcs)
632 436 286 519	10	0.02	0.050	3435	2
632 436 286 619	10	0.05	0.050	3436	2
632 436 286 719	10 *	0.1	0.050	3437	2
632 436 286 623	25	0.05	0.050	3438	2
632 436 286 723	25	0.1	0.100	3439	2
632 436 286 725	50	0.1	0.100	3440	2
632 436 286 831	100	0.2	0.200	3441	2

Notice: * not according to ISO standard Borosilicate glass



AUTOMATIC BURETTE ACCORDING TO PELLET WITH STOPCOCK, PTFE KEY, QUALICOLOR, CLASS AS

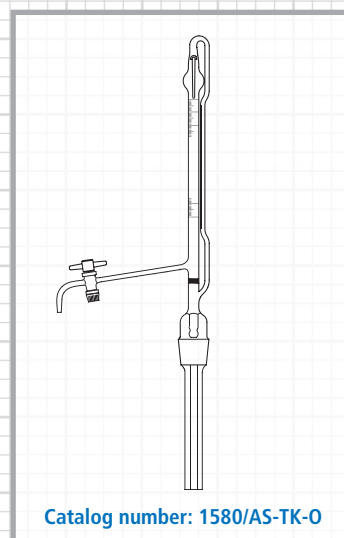
Automatische Bürette nach Pellet mit Auslaufhahn, PTFE-Küken, QUALICOLOR, Klasse AS

Automatická byreta podle Pelleta s výpustným kohoutem s teflonovým kladivkem, QUALICOLOR, třída AS

ISO: 385

Code	Capacity (ml)	Subdivision (ml)	Permitted error (\pm ml)	Drawing	Packing (pcs)
632 436 667 519	10	0.02	0.020	3442	2
632 436 667 619	10	0.05	0.030	3443	2
632 436 667 719	10 *	0.1	0.030	3444	2
632 436 667 623	25	0.05	0.030	3445	2
632 436 667 723	25	0.1	0.050	3446	2
632 436 667 725	50	0.1	0.050	3447	2
632 436 667 831	100	0.2	0.100	3448	2

Notice: * not according to ISO standard Borosilicate glass



AUTOMATIC BURETTE ACCORDING TO PELLET WITH STOPCOCK, PTFE KEY, WITH SCHELLBACH STRIPE, QUALICOLOR, CLASS AS

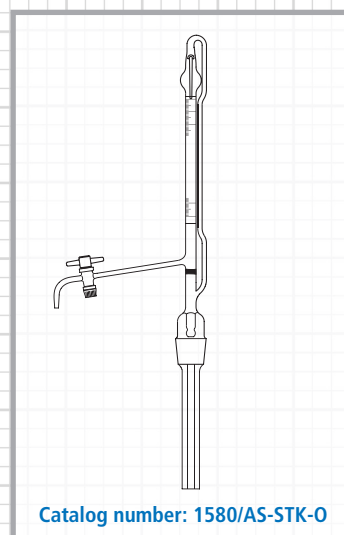
Automatische Bürette nach Pellet mit Auslaufhahn, PTFE-Küken, mit Schellbach-Streifen, QUALICOLOR, Klasse AS

Automatická byreta podle Pelleta s výpustným kohoutem s teflonovým kladivkem, se Schellbachovým pruhem, QUALICOLOR, třída AS

ISO: 385

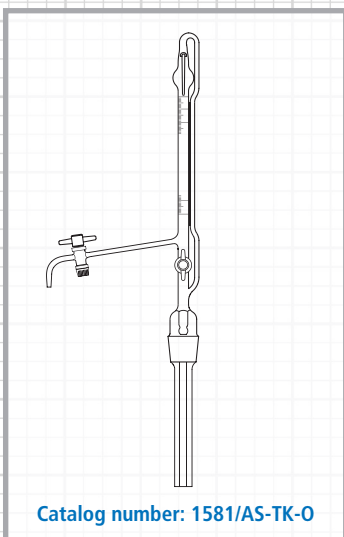
Code	Capacity (ml)	Subdivision (ml)	Permitted error (\pm ml)	Drawing	Packing (pcs)
632 436 668 519	10	0.02	0.020	3449	2
632 436 668 619	10	0.05	0.030	3450	2
632 436 668 719	10 *	0.1	0.030	3451	2
632 436 668 623	25	0.05	0.030	3452	2
632 436 668 723	25	0.1	0.050	3453	2
632 436 668 725	50	0.1	0.050	3454	2
632 436 668 831	100	0.2	0.100	3455	2

Notice: * not according to ISO standard Borosilicate glass



AUTOMATIC BURETTES

AUTOMATIC BURETTE ACCORDING TO PELLET WITH STOPCOCK, WITH INTERMEDIATE STOPCOCK, WITH PTFE KEY, QUALICOLOR, CLASS AS



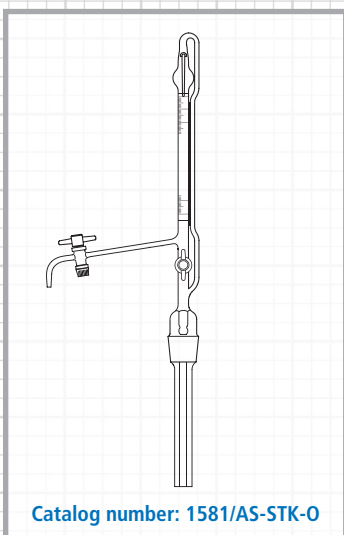
Automatische Bürette nach Pellet mit Auslaufhahn, mit Umlaufhahn, mit PTFE-Küken, QUALICOLOR, Klasse AS
 Automatická byreta podle Pelleta s výpustným kohoutem, s přepouštěcím kohoutem, s teflonovými kladívky, QUALICOLOR, třída AS

ISO: 385

Code	Capacity (ml)	Subdivision (ml)	Permitted error (\pm ml)	Drawing	Packing (pcs)
632 436 767 519	10	0.02	0.020	3456	2
632 436 767 619	10	0.05	0.030	3457	2
632 436 767 719	10 *	0.1	0.030	3458	2
632 436 767 623	25	0.05	0.030	3459	2
632 436 767 723	25	0.1	0.050	3460	2
632 436 767 725	50	0.1	0.050	3461	2
632 436 767 831	100	0.2	0.100	3462	2

Notice: * not according to ISO standard Borosilicate glass

AUTOMATIC BURETTE ACCORDING TO PELLET WITH STOPCOCK, WITH INTERMEDIATE STOPCOCK, WITH PTFE KEY, WITH SCHELLBACH STRIPE, QUALICOLOR, CLASS AS



Automatische Bürette nach Pellet mit Auslaufhahn, mit Umlaufhahn, mit PTFE-Küken, mit Schellbach-Streifen, QUALICOLOR, Klasse AS

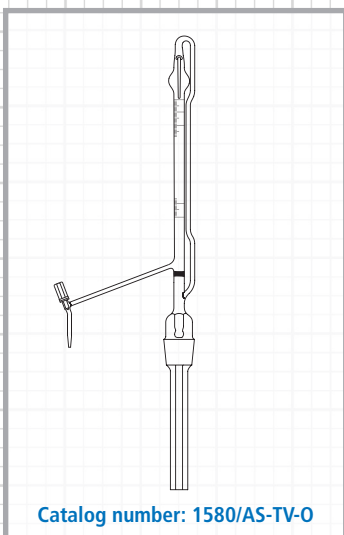
Automatická byreta podle Pelleta s výpustným kohoutem, s přepouštěcím kohoutem, s teflonovými kladívky, se Schellbachovým pruhem, QUALICOLOR, třída AS

ISO: 385

Code	Capacity (ml)	Subdivision (ml)	Permitted error (\pm ml)	Drawing	Packing (pcs)
632 436 768 519	10	0.02	0.020	3463	2
632 436 768 619	10	0.05	0.030	3464	2
632 436 768 719	10 *	0.1	0.030	3465	2
632 436 768 623	25	0.05	0.030	3466	2
632 436 768 723	25	0.1	0.050	3467	2
632 436 768 725	50	0.1	0.050	3468	2
632 436 768 831	100	0.2	0.100	3469	2

Notice: * not according to ISO standard Borosilicate glass

AUTOMATIC BURETTE ACCORDING TO PELLET WITH PTFE VALVE, QUALICOLOR, CLASS AS



Automatische Bürette nach Pellet mit PTFE-Ventil, QUALICOLOR, Klasse AS

Automatická byreta podle Pelleta s teflonovým ventilem, QUALICOLOR, třída AS

ISO: 385

Code	Capacity (ml)	Subdivision (ml)	Permitted error (\pm ml)	Drawing	Packing (pcs)
632 436 416 519	10	0.02	0.020	3470	2
632 436 416 619	10	0.05	0.030	3471	2
632 436 416 719	10 *	0.1	0.030	3472	2
632 436 416 623	25	0.05	0.030	3473	2
632 436 416 723	25	0.1	0.050	3474	2
632 436 416 725	50	0.1	0.050	3475	2
632 436 416 831	100	0.2	0.100	3476	2

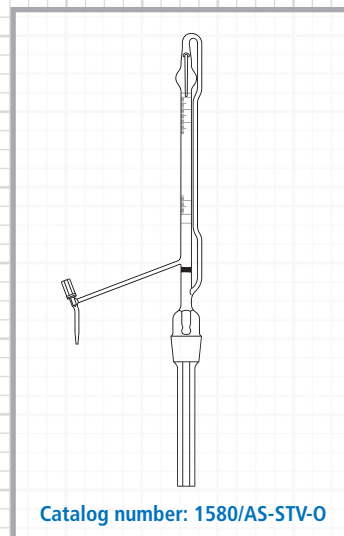
Notice: * not according to ISO standard Borosilicate glass

AUTOMATIC BURETTE ACCORDING TO PELLET WITH PTFE VALVE, WITH SCHELLBACH STRIPE, QUALICOLOR, CLASS AS

Automatische Bürette nach Pellet mit PTFE-Ventil, mit Schellbach-Streifen, QUALICOLOR, Klasse AS
 Automatická byreta podle Pelleta s teflonovým ventilem, se Schellbachovým pruhem, QUALICOLOR, třída AS

ISO: 385

Code	Capacity (ml)	Subdivision (ml)	Permitted error (\pm ml)	Drawing	Packing (pcs)
632 436 436 519	10	0.02	0.020	3477	2
632 436 436 619	10	0.05	0.030	3478	2
632 436 436 719	10 *	0.1	0.030	3479	2
632 436 436 623	25	0.05	0.030	3480	2
632 436 436 723	25	0.1	0.050	3481	2
632 436 436 725	50	0.1	0.050	3482	2
632 436 436 831	100	0.2	0.100	3483	2



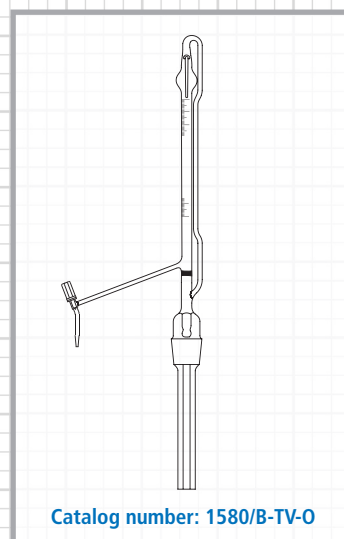
Notice: * not according to ISO standard Borosilicate glass

AUTOMATIC BURETTE ACCORDING TO PELLET WITH PTFE VALVE, QUALICOLOR, CLASS B

Automatische Bürette nach Pellet mit PTFE-Ventil, QUALICOLOR, Klasse B
 Automatická byreta podle Pelleta s teflonovým ventilem, QUALICOLOR, třída B

ISO: 385

Code	Capacity (ml)	Subdivision (ml)	Permitted error (\pm ml)	Drawing	Packing (pcs)
632 436 366 519	10	0.02	0.050	3484	2
632 436 366 619	10	0.05	0.050	3485	2
632 436 366 719	10 *	0.1	0.050	3486	2
632 436 366 623	25	0.05	0.050	3487	2
632 436 366 723	25	0.1	0.100	3488	2
632 436 366 725	50	0.1	0.100	3489	2
632 436 366 831	100	0.2	0.200	3490	2



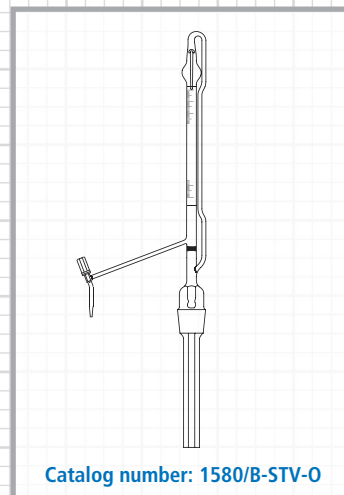
Notice: * not according to ISO standard Borosilicate glass

AUTOMATIC BURETTE ACCORDING TO PELLET WITH PTFE VALVE, WITH SCHELLBACH STRIPE, QUALICOLOR, CLASS B

Automatische Bürette nach Pellet mit PTFE-Ventil, mit Schellbach-Streifen, QUALICOLOR, Klasse B
 Automatická byreta podle Pelleta s teflonovým ventilem, se Schellbachovým pruhem, QUALICOLOR, třída B

ISO: 385

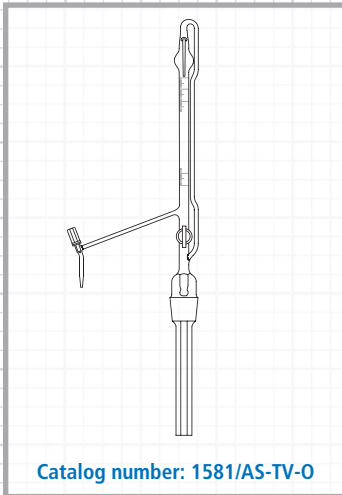
Code	Capacity (ml)	Subdivision (ml)	Permitted error (\pm ml)	Drawing	Packing (pcs)
632 436 386 519	10	0.02	0.050	3491	2
632 436 386 619	10	0.05	0.050	3492	2
632 436 386 719	10 *	0.1	0.050	3493	2
632 436 386 623	25	0.05	0.050	3494	2
632 436 386 723	25	0.1	0.100	3495	2
632 436 386 725	50	0.1	0.100	3496	2
632 436 386 831	100	0.2	0.200	3497	2



Notice: * not according to ISO standard Borosilicate glass

AUTOMATIC BURETTES

AUTOMATIC BURETTE ACCORDING TO PELLET WITH PTFE VALVE, WITH INTERMEDIATE STOPCOCK WITH GLASS KEY, QUALICOLOR, CLASS AS



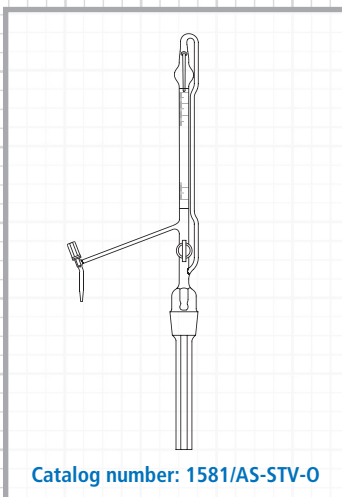
Automatische Bürette nach Pellet mit PTFE-Ventil, mit Umlaufhahn mit Glas-Küken, QUALICOLOR, Klasse AS
 Automatická byreta podle Pelleta s teflonovým ventilem, s přepouštěcím kohoutem se skleněným kladívkem, QUALICOLOR, třída AS

ISO: 385

Code	Capacity (ml)	Subdivision (ml)	Permitted error (\pm ml)	Drawing	Packing (pcs)
632 436 956 519	10	0.02	0.020	3498	2
632 436 956 619	10	0.05	0.030	3499	2
632 436 956 719	10 *	0.1	0.030	3500	2
632 436 956 623	25	0.05	0.030	3501	2
632 436 956 723	25	0.1	0.050	3502	2
632 436 956 725	50	0.1	0.050	3503	2
632 436 956 831	100	0.2	0.100	3504	2

Notice: * not according to ISO standard Borosilicate glass

AUTOMATIC BURETTE ACCORDING TO PELLET WITH PTFE VALVE, WITH INTERMEDIATE STOPCOCK WITH GLASS KEY, WITH SCHELLBACH STRIPE, QUALICOLOR, CLASS AS



Automatische Bürette nach Pellet mit PTFE-Ventil, mit Umlaufhahn mit Glas-Küken, mit Schellbach-Streifen, QUALICOLOR, Klasse AS

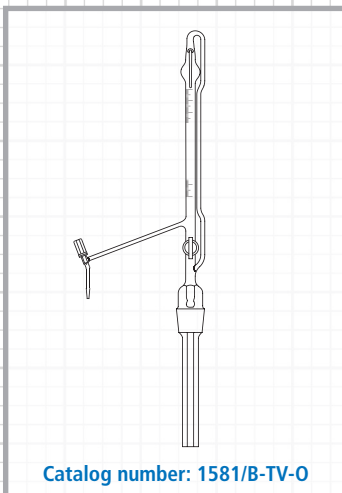
Automatická byreta podle Pelleta s teflonovým ventilem, s přepouštěcím kohoutem se skleněným kladívkem, se Schellbachovým pruhem, QUALICOLOR, třída AS

ISO: 385

Code	Capacity (ml)	Subdivision (ml)	Permitted error (\pm ml)	Drawing	Packing (pcs)
632 436 986 519	10	0.02	0.020	3505	2
632 436 986 619	10	0.05	0.030	3506	2
632 436 986 719	10 *	0.1	0.030	3507	2
632 436 986 623	25	0.05	0.030	3508	2
632 436 986 723	25	0.1	0.050	3509	2
632 436 986 725	50	0.1	0.050	3510	2
632 436 986 831	100	0.2	0.100	3511	2

Notice: * not according to ISO standard Borosilicate glass

AUTOMATIC BURETTE ACCORDING TO PELLET WITH PTFE VALVE, WITH INTERMEDIATE STOPCOCK WITH GLASS KEY, QUALICOLOR, CLASS B



Automatische Bürette nach Pellet mit PTFE-Ventil, mit Umlaufhahn mit Glas-Küken, QUALICOLOR, Klasse B

Automatická byreta podle Pelleta s teflonovým ventilem, s přepouštěcím kohoutem se skleněným kladívkem, QUALICOLOR, třída B

ISO: 385

Code	Capacity (ml)	Subdivision (ml)	Permitted error (\pm ml)	Drawing	Packing (pcs)
632 436 466 519	10	0.02	0.050	3512	2
632 436 466 619	10	0.05	0.050	3513	2
632 436 466 719	10 *	0.1	0.050	3514	2
632 436 466 623	25	0.05	0.050	3515	2
632 436 466 723	25	0.1	0.100	3516	2
632 436 466 725	50	0.1	0.100	3517	2
632 436 466 831	100	0.2	0.200	3518	2

Notice: * not according to ISO standard Borosilicate glass

AUTOMATIC BURETTE ACCORDING TO PELLET WITH PTFE VALVE, WITH INTERMEDIATE STOPCOCK WITH GLASS KEY, WITH SCHELLBACH STRIPE, QUALICOLOR, CLASS B

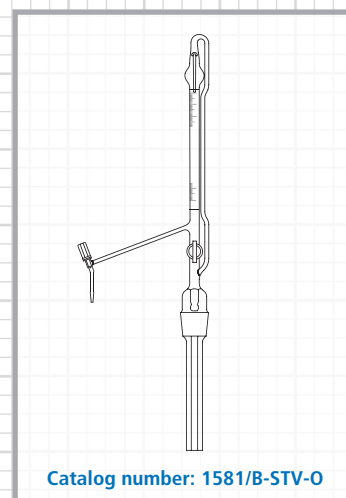
Automatische Bürette nach Pellet mit PTFE-Ventil, mit Umlaufhahn mit Glas-Küken, mit Schellbach-Streifen, QUALICOLOR, Klasse B

Automatická byreta podle Pelleta s teflonovým ventilem, s přepouštěcím kohoutem se skleněným kladívkem, se Schellbachovým pruhem, QUALICOLOR, třída B

ISO: 385

Code	Capacity (ml)	Subdivision (ml)	Permitted error (\pm ml)	Drawing	Packing (pcs)
632 436 486 519	10	0.02	0.050	3519	2
632 436 486 619	10	0.05	0.050	3520	2
632 436 486 719	10 *	0.1	0.050	3521	2
632 436 486 623	25	0.05	0.050	3522	2
632 436 486 723	25	0.1	0.100	3523	2
632 436 486 725	50	0.1	0.100	3524	2
632 436 486 831	100	0.2	0.200	3525	2

Notice: * not according to ISO standard Borosilicate glass



AUTOMATIC BURETTE ACCORDING TO PELLET WITH PTFE VALVE, WITH INTERMEDIATE STOPCOCK WITH PTFE KEY, QUALICOLOR, CLASS AS

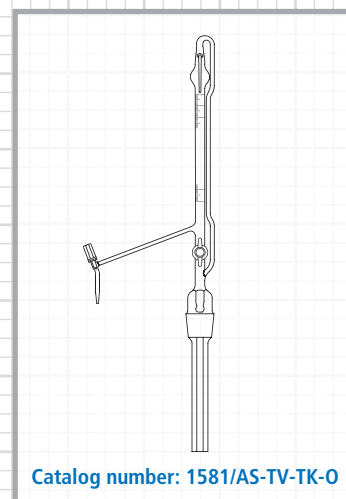
Automatische Bürette nach Pellet mit PTFE-Ventil, mit Umlaufhahn mit PTFE-Küken, QUALICOLOR, Klasse AS

Automatická byreta podle Pelleta s teflonovým ventilem, s přepouštěcím kohoutem s teflonovým kladívkem, QUALICOLOR, třída AS

ISO: 385

Code	Capacity (ml)	Subdivision (ml)	Permitted error (\pm ml)	Drawing	Packing (pcs)
632 436 944 519	10	0.02	0.020	3748	2
632 436 944 619	10	0.05	0.030	3749	2
632 436 944 719	10 *	0.1	0.030	3750	2
632 436 944 623	25	0.05	0.030	3751	2
632 436 944 723	25	0.1	0.050	3752	2
632 436 944 725	50	0.1	0.050	3753	2
632 436 944 831	100	0.2	0.100	3754	2

Notice: * not according to ISO standard Borosilicate glass



AUTOMATIC BURETTE ACCORDING TO PELLET WITH PTFE VALVE, WITH INTERMEDIATE STOPCOCK WITH PTFE KEY, WITH SCHELLBACH STRIPE, QUALICOLOR, CLASS AS

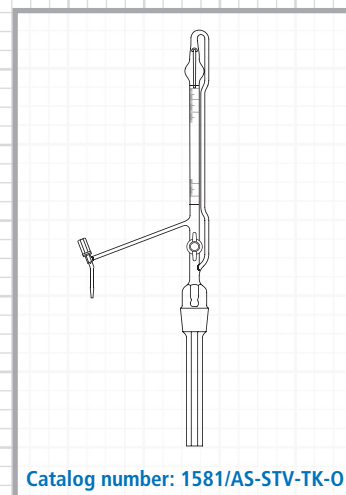
Automatische Bürette nach Pellet mit PTFE-Ventil, mit Umlaufhahn mit PTFE-Küken, mit Schellbach-Streifen, QUALICOLOR, Klasse AS

Automatická byreta podle Pelleta s teflonovým ventilem, s přepouštěcím kohoutem s teflonovým kladívkem, se Schellbachovým pruhem, QUALICOLOR, třída AS

ISO: 385

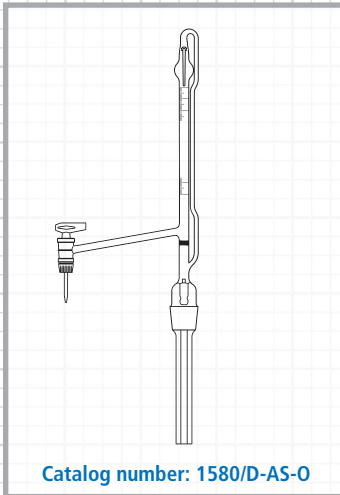
Code	Capacity (ml)	Subdivision (ml)	Permitted error (\pm ml)	Drawing	Packing (pcs)
632 436 946 519	10	0.02	0.020	3755	2
632 436 946 619	10	0.05	0.030	3756	2
632 436 946 719	10 *	0.1	0.030	3757	2
632 436 946 623	25	0.05	0.030	3758	2
632 436 946 723	25	0.1	0.050	3759	2
632 436 946 725	50	0.1	0.050	3760	2
632 436 946 831	100	0.2	0.100	3761	2

Notice: * not according to ISO standard Borosilicate glass



AUTOMATIC BURETTES

AUTOMATIC BURETTE ACCORDING TO PELLET WITH LATERAL STOPCOCK, LATERAL GLASS KEY, QUALICOLOR, CLASS AS



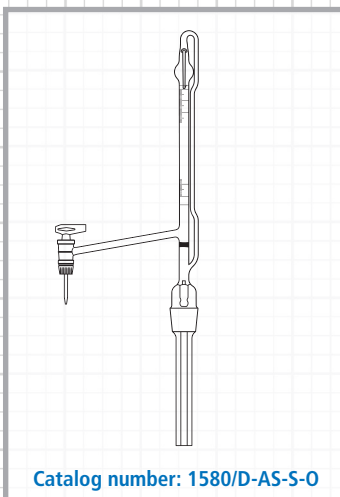
Automatische Bürette nach Pellet mit seitlichem Hahn, seitliches Glas-Küken, QUALICOLOR, Klasse AS
 Automatická byreta podle Pelleta s bočním kohoutem a bočním skleněným kladívkem, QUALICOLOR, třída AS

ISO: 385

Code	Capacity (ml)	Subdivision (ml)	Permitted error (\pm ml)	Drawing	Packing (pcs)
632 438 176 519	10	0.02	0.020	3526	2
632 438 176 619	10	0.05	0.030	3527	2
632 438 176 719	10 *	0.1	0.030	3528	2
632 438 176 623	25	0.05	0.030	3529	2
632 438 176 723	25	0.1	0.050	3530	2
632 438 176 725	50	0.1	0.050	3531	2
632 438 176 831	100	0.2	0.100	3532	2

Notice: * not according to ISO standard Borosilicate glass

AUTOMATIC BURETTE ACCORDING TO PELLET WITH LATERAL STOPCOCK, LATERAL GLASS KEY, WITH SCHELLBACH STRIPE, QUALICOLOR, CLASS AS



Automatische Bürette nach Pellet mit seitlichem Hahn, seitliches Glas-Küken, mit Schellbach-Streifen, QUALICOLOR, Klasse AS

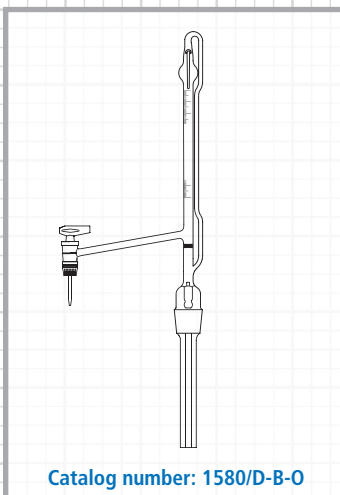
Automatická byreta podle Pelleta s bočním kohoutem a bočním skleněným kladívkem, se Schellbachovým pruhem, QUALICOLOR, třída AS

ISO: 385

Code	Capacity (ml)	Subdivision (ml)	Permitted error (\pm ml)	Drawing	Packing (pcs)
632 438 186 519	10	0.02	0.020	3533	2
632 438 186 619	10	0.05	0.030	3534	2
632 438 186 719	10 *	0.1	0.030	3535	2
632 438 186 623	25	0.05	0.030	3536	2
632 438 186 723	25	0.1	0.050	3537	2
632 438 186 725	50	0.1	0.050	3538	2
632 438 186 831	100	0.2	0.100	3539	2

Notice: * not according to ISO standard Borosilicate glass

AUTOMATIC BURETTE ACCORDING TO PELLET WITH LATERAL STOPCOCK, LATERAL GLASS KEY, QUALICOLOR, CLASS B



Automatische Bürette nach Pellet mit seitlichem Hahn, seitliches Glas-Küken, QUALICOLOR, Klasse B

Automatická byreta podle Pelleta s bočním kohoutem a bočním skleněným kladívkem, QUALICOLOR, třída B

ISO: 385

Code	Capacity (ml)	Subdivision (ml)	Permitted error (\pm ml)	Drawing	Packing (pcs)
632 438 156 519	10	0.02	0.050	3719	2
632 438 156 619	10	0.05	0.050	3720	2
632 438 156 719	10 *	0.1	0.050	3721	2
632 438 156 623	25	0.05	0.050	3722	2
632 438 156 723	25	0.1	0.100	3723	2
632 438 156 725	50	0.1	0.100	3724	2
632 438 156 831	100	0.2	0.200	3725	2

Notice: * not according to ISO standard Borosilicate glass

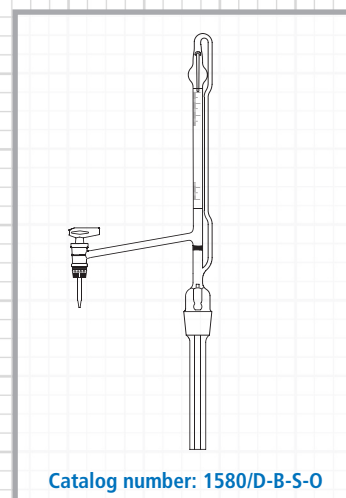
AUTOMATIC BURETTE ACCORDING TO PELLET WITH LATERAL STOPCOCK, LATERAL GLASS KEY, WITH SCHELLBACH STRIPE, QUALICOLOR, CLASS B

Automatische Bürette nach Pellet mit seitlichem Hahn, seitliches Glas-Küken, mit Schellbach-Streifen, QUALICOLOR, Klasse B

Automatická byreta podle Pelleta s bočním kohoutem a bočním skleněným kladívkem, se Schellbachovým pruhem, QUALICOLOR, třída B

ISO: 385

Code	Capacity (ml)	Subdivision (ml)	Permitted error (\pm ml)	Drawing	Packing (pcs)
632 438 166 519	10	0.02	0.050	3726	2
632 438 166 619	10	0.05	0.050	3727	2
632 438 166 719	10 *	0.1	0.050	3728	2
632 438 166 623	25	0.05	0.050	3729	2
632 438 166 723	25	0.1	0.100	3730	2
632 438 166 725	50	0.1	0.100	3731	2
632 438 166 831	100	0.2	0.200	3732	2



Catalog number: 1580/D-B-S-O

Notice: * not according to ISO standard Borosilicate glass

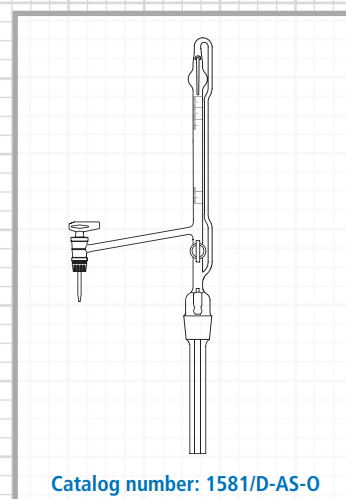
AUTOMATIC BURETTE ACCORDING TO PELLET WITH LATERAL STOPCOCK, LATERAL GLASS KEY, WITH INTERMEDIATE STOPCOCK WITH GLASS KEY, QUALICOLOR, CLASS AS

Automatische Bürette nach Pellet mit seitlichem Hahn, seitliches Glas-Küken, mit Umlaufhahn mit Glas-Küken, QUALICOLOR, Klasse AS

Automatická byreta podle Pelleta s bočním kohoutem a bočním skleněným kladívkem, s přepouštěcím kohoutem se skleněným kladívkem, QUALICOLOR, třída AS

ISO: 385

Code	Capacity (ml)	Subdivision (ml)	Permitted error (\pm ml)	Drawing	Packing (pcs)
632 438 276 519	10	0.02	0.020	3540	2
632 438 276 619	10	0.05	0.030	3541	2
632 438 276 719	10 *	0.1	0.030	3542	2
632 438 276 623	25	0.05	0.030	3543	2
632 438 276 723	25	0.1	0.050	3544	2
632 438 276 725	50	0.1	0.050	3545	2
632 438 276 831	100	0.2	0.100	3546	2



Catalog number: 1581/D-AS-O

Notice: * not according to ISO standard Borosilicate glass

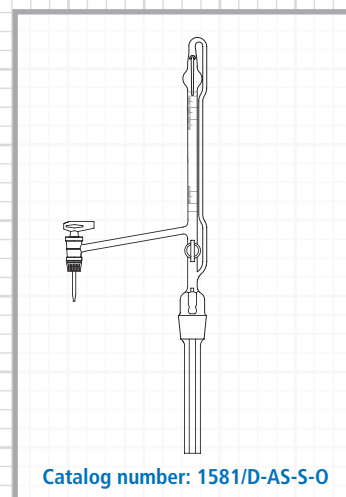
AUTOMATIC BURETTE ACCORDING TO PELLET WITH LATERAL STOPCOCK, LATERAL GLASS KEY, WITH INTERMEDIATE STOPCOCK WITH GLASS KEY, WITH SCHELLBACH STRIPE, QUALICOLOR, CLASS AS

Automatische Bürette nach Pellet mit seitlichem Hahn, seitliches Glas-Küken, mit Umlaufhahn mit Glas-Küken, mit Schellbach-Streifen, QUALICOLOR, Klasse AS

Automatická byreta podle Pelleta s bočním kohoutem a bočním skleněným kladívkem, s přepouštěcím kohoutem se skleněným kladívkem, se Schellbachovým pruhem, QUALICOLOR, třída AS

ISO: 385

Code	Capacity (ml)	Subdivision (ml)	Permitted error (\pm ml)	Drawing	Packing (pcs)
632 438 286 519	10	0.02	0.020	3547	2
632 438 286 619	10	0.05	0.030	3548	2
632 438 286 719	10 *	0.1	0.030	3549	2
632 438 286 623	25	0.05	0.030	3550	2
632 438 286 723	25	0.1	0.050	3551	2
632 438 286 725	50	0.1	0.050	3552	2
632 438 286 831	100	0.2	0.100	3553	2

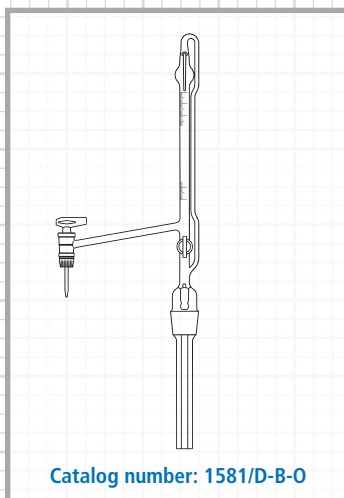


Catalog number: 1581/D-AS-S-O

Notice: * not according to ISO standard Borosilicate glass

AUTOMATIC BURETTES

AUTOMATIC BURETTE ACCORDING TO PELLET WITH LATERAL STOPCOCK, LATERAL GLASS KEY, WITH INTERMEDIATE STOPCOCK WITH GLASS KEY, QUALICOLOR, CLASS B



Automatische Bürette nach Pellet mit seitlichem Hahn, seitliches Glas-Küken, mit Umlaufhahn mit Glas-Küken, QUALICOLOR, Klasse B

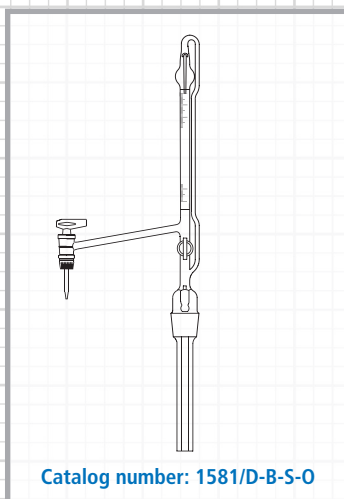
Automatická byreta podle Pelleta s bočním kohoutem a bočním skleněným kladívkem, s přepouštěcím kohoutem se skleněným kladívkem, QUALICOLOR, třída B

ISO: 385

Code	Capacity (ml)	Subdivision (ml)	Permitted error (\pm ml)	Drawing	Packing (pcs)
632 438 256 519	10	0.02	0.050	3733	2
632 438 256 619	10	0.05	0.050	3734	2
632 438 256 719	10 *	0.1	0.050	3735	2
632 438 256 623	25	0.05	0.050	3736	2
632 438 256 723	25	0.1	0.100	3737	2
632 438 256 725	50	0.1	0.100	3738	2
632 438 256 831	100	0.2	0.200	3739	2

Notice: * not according to ISO standard Borosilicate glass

AUTOMATIC BURETTE ACCORDING TO PELLET WITH LATERAL STOPCOCK, LATERAL GLASS KEY, WITH INTERMEDIATE STOPCOCK WITH GLASS KEY, WITH SCHELLBACH STRIPE, QUALICOLOR, CLASS B



Automatische Bürette nach Pellet mit seitlichem Hahn, seitliches Glas-Küken, mit Umlaufhahn mit Glas-Küken, mit Schellbach-Streifen, QUALICOLOR, Klasse B

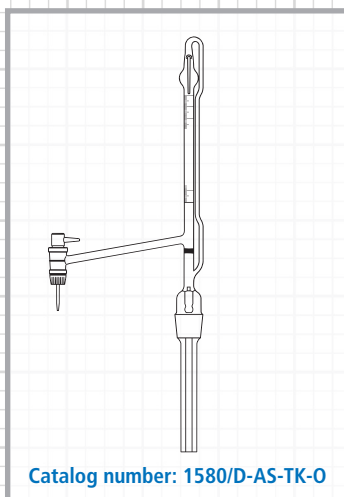
Automatická byreta podle Pelleta s bočním kohoutem a bočním skleněným kladívkem, s přepouštěcím kohoutem se skleněným kladívkem, se Schellbachovým pruhem, QUALICOLOR, třída B

ISO: 385

Code	Capacity (ml)	Subdivision (ml)	Permitted error (\pm ml)	Drawing	Packing (pcs)
632 438 266 519	10	0.02	0.050	3740	2
632 438 266 619	10	0.05	0.050	3741	2
632 438 266 719	10 *	0.1	0.050	3742	2
632 438 266 623	25	0.05	0.050	3743	2
632 438 266 723	25	0.1	0.100	3744	2
632 438 266 725	50	0.1	0.100	3745	2
632 438 266 831	100	0.2	0.200	3746	2

Notice: * not according to ISO standard Borosilicate glass

AUTOMATIC BURETTE ACCORDING TO PELLET WITH LATERAL STOPCOCK, LATERAL PTFE KEY, QUALICOLOR, CLASS AS



Automatische Bürette nach Pellet mit seitlichem Hahn, seitliches PTFE-Küken, QUALICOLOR, Klasse AS

Automatická byreta podle Pelleta s bočním kohoutem a bočním teflonovým kladívkem, QUALICOLOR, třída AS

Code	Capacity (ml)	Subdivision (ml)	Drawing	Packing (pcs)
632 438 177 519	10	0.02	3554	2
632 438 177 619	10	0.05	3555	2
632 438 177 719	10	0.1	3556	2
632 438 177 623	25	0.05	3557	2
632 438 177 723	25	0.1	3558	2
632 438 177 725	50	0.1	3559	2
632 438 177 831	100	0.2	3560	2

Notice: Borosilicate glass

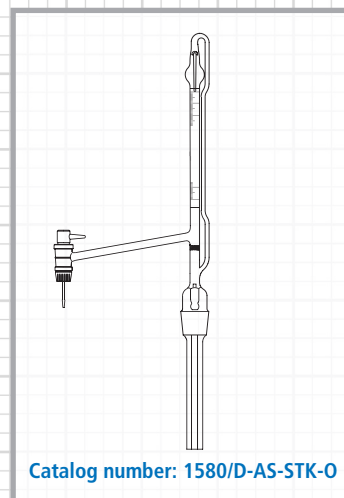
AUTOMATIC BURETTE ACCORDING TO PELLET WITH LATERAL STOPCOCK, LATERAL PTFE KEY, WITH SCHELLBACH STRIPE, QUALICOLOR, CLASS AS

Automatische Bürette nach Pellet mit seitlichem Hahn, seitliches PTFE-Küken, mit Schellbach-Streifen, QUALICOLOR, Klasse AS

Automatická byreta podle Pelleta s bočním kohoutem a bočním teflonovým kladívkem, se Schellbachovým pruhem, QUALICOLOR, třída AS

Code	Capacity (ml)	Subdivision (ml)	Drawing	Packing (pcs)
632 438 187 519	10	0.02	3561	2
632 438 187 619	10	0.05	3562	2
632 438 187 719	10	0.1	3563	2
632 438 187 623	25	0.05	3564	2
632 438 187 723	25	0.1	3565	2
632 438 187 725	50	0.1	3566	2
632 438 187 831	100	0.2	3567	2

Notice: Borosilicate glass



Catalog number: 1580/D-AS-STK-0

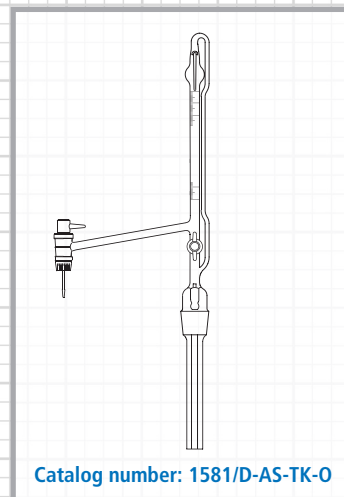
AUTOMATIC BURETTE ACCORDING TO PELLET WITH LATERAL STOPCOCK, LATERAL PTFE KEY, WITH INTERMEDIATE STOPCOCK WITH PTFE KEY, QUALICOLOR, CLASS AS

Automatische Bürette nach Pellet mit seitlichem Hahn, seitliches PTFE-Küken, mit Umlaufhahn mit PTFE-Küken, QUALICOLOR, Klasse AS

Automatická byreta podle Pelleta s bočním kohoutem a bočním teflonovým kladívkem, s přepouštěcím kohoutem s teflonovým kladívkem, QUALICOLOR, třída AS

Code	Capacity (ml)	Subdivision (ml)	Drawing	Packing (pcs)
632 438 277 519	10	0.02	3568	2
632 438 277 619	10	0.05	3569	2
632 438 277 719	10	0.1	3570	2
632 438 277 623	25	0.05	3571	2
632 438 277 723	25	0.1	3572	2
632 438 277 725	50	0.1	3573	2
632 438 277 831	100	0.2	3574	2

Notice: Borosilicate glass



Catalog number: 1581/D-AS-TK-0

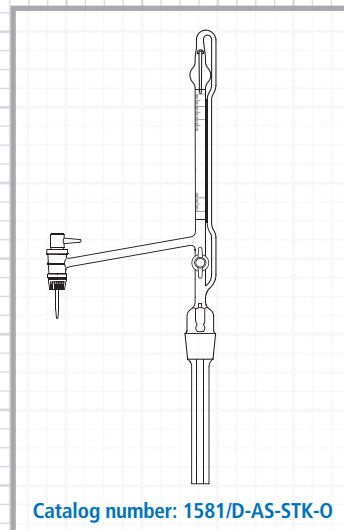
AUTOMATIC BURETTE ACCORDING TO PELLET WITH LATERAL STOPCOCK, LATERAL PTFE KEY, WITH INTERMEDIATE STOPCOCK WITH PTFE KEY, WITH SCHELLBACH STRIPE, QUALICOLOR, CLASS AS

Automatische Bürette nach Pellet mit seitlichem Hahn, seitliches PTFE-Küken, mit Umlaufhahn mit PTFE-Küken, mit Schellbach-Streifen, QUALICOLOR, Klasse AS

Automatická byreta podle Pelleta s bočním kohoutem a bočním teflonovým kladívkem, s přepouštěcím kohoutem s teflonovým kladívkem, se Schellbachovým pruhem, QUALICOLOR, třída AS

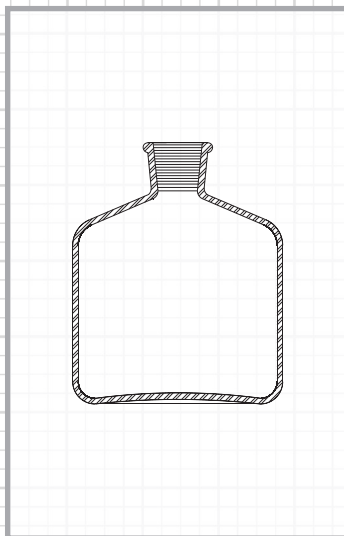
Code	Capacity (ml)	Subdivision (ml)	Drawing	Packing (pcs)
632 438 287 519	10	0.02	3575	2
632 438 287 619	10	0.05	3576	2
632 438 287 719	10	0.1	3577	2
632 438 287 623	25	0.05	3578	2
632 438 287 723	25	0.1	3579	2
632 438 287 725	50	0.1	3580	2
632 438 287 831	100	0.2	3581	2

Notice: Borosilicate glass



Catalog number: 1581/D-AS-STK-0

RESERVOIR BOTTLE FOR AUTOMATIC BURETTE SJ 29/32

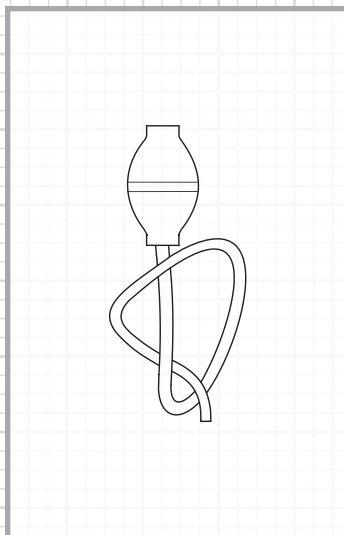


Vorratsflasche für automatische Bürette NS 29/32
Zásobníková lahev pro automatickou byretu NZ 29/32

Code	Capacity (ml)	Color	Drawing	Packing (pcs)
632 436 050 046	2000	clear	3270	6
632 436 050 047	2000	brown	3270	6

Notice: Neutral glass

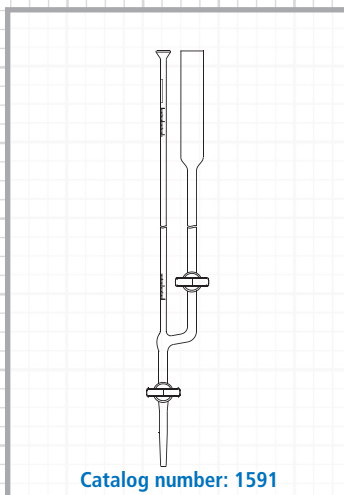
RUBBER BLOWER FOR AUTOMATIC BURETTE



Gummigebläse für automatische Bürette
Dmychadlo k automatické byretě

Code	Color	Packing (pcs)
632 436 055 002	red	10

**MICROBURETTE ACCORDING TO BANG WITH STRAIGHT STOPCOCK, GLASS KEY,
WITH INTERMEDIATE STOPCOCK WITH GLASS KEY, CLASS AS**



Mikrobürette nach BANG mit Einweghahn, Glas-Küken, mit Umlaufhahn mit Glas-Küken, Klasse AS
Mikrobyreta podle BANGA s přímým kohoutem se skleněným kladívkem, s přepouštěcím kohoutem se skleněným kladívkem, třída AS

ISO: 385

Code	Capacity (ml)	Subdivision (ml)	Permitted error (\pm ml)	Drawing	Packing (pcs)
632 436 061 314	1 *	0.01	0.006	3238	1
632 436 061 316	2	0.01	0.010	3239	1
632 436 061 517	3 *	0.02	0.010	3240	1
632 436 061 518	5	0.02	0.010	3241	1

Catalog number: 1591

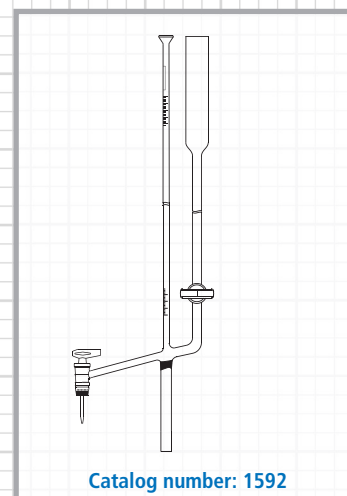
Notice: * not according to ISO standard Borosilicate glass

MICROBURETTE ACCORDING TO BANG WITH LATERAL STOPCOCK, LATERAL GLASS KEY, WITH INTERMEDIATE STOPCOCK WITH GLASS KEY, CLASS AS

Mikrobürette nach BANG mit seitlichem Hahn, seitliches Glas-Küken, mit Umlaufhahn mit Glas-Küken, Klasse AS
Mikrobyreta podle BANGA s bočním kohoutem a bočním skleněným kladívkem, s přepouštěcím kohoutem
se skleněným kladívkem, třída AS

Code	Capacity (ml)	Subdivision (ml)	Permitted error (\pm ml)	Drawing	Packing (pcs)
632 436 062 314	1	0.01	0.006	3242	1
632 436 062 316	2	0.01	0.010	3243	1
632 436 062 517	3	0.02	0.010	3244	1
632 436 062 518	5	0.02	0.010	3245	1

Notice: Borosilicate glass



Catalog number: 1592

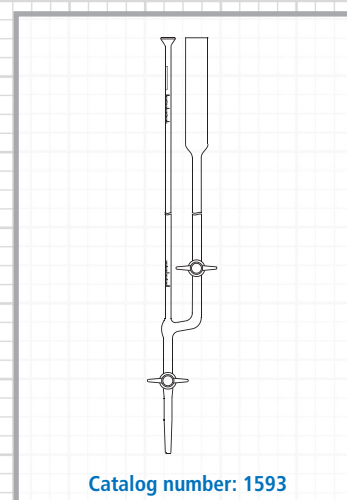
MICROBURETTE ACCORDING TO BANG WITH STRAIGHT STOPCOCK, PTFE KEY, WITH INTERMEDIATE STOPCOCK WITH PTFE KEY, CLASS AS

Mikrobürette nach BANG mit Einweghahn, PTFE-Küken, mit Umlaufhahn mit PTFE-Küken, Klasse AS
Mikrobyreta podle BANGA s přímým kohoutem s teflonovým kladívkem, s přepouštěcím kohoutem
s teflonovým kladívkem, třída AS

Code	Capacity (ml)	Subdivision (ml)	Permitted error (\pm ml)	Drawing	Packing (pcs)
632 436 063 314	1 *	0.01	0.006	3246	1
632 436 063 316	2	0.01	0.010	3247	1
632 436 063 517	3 *	0.02	0.010	3248	1
632 436 063 518	5	0.02	0.010	3249	1

ISO: 385

Notice: * not according to ISO standard Borosilicate glass



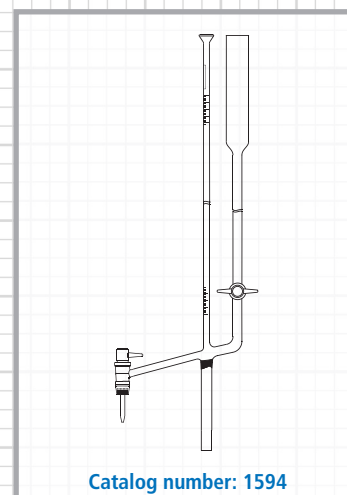
Catalog number: 1593

MICROBURETTE ACCORDING TO BANG WITH LATERAL STOPCOCK, LATERAL PTFE KEY, WITH INTERMEDIATE STOPCOCK WITH PTFE KEY, CLASS AS

Mikrobürette nach BANG mit seitlichem Hahn, seitliches PTFE-Küken, mit Umlaufhahn mit PTFE-Küken, Klasse AS
Mikrobyreta podle BANGA s bočním kohoutem a bočním teflonovým kladívkem, s přepouštěcím kohoutem
s teflonovým kladívkem, třída AS

Code	Capacity (ml)	Subdivision (ml)	Drawing	Packing (pcs)
632 436 064 314	1	0.01	3250	1
632 436 064 316	2	0.01	3251	1
632 436 064 517	3	0.02	3252	1
632 436 064 518	5	0.02	3253	1

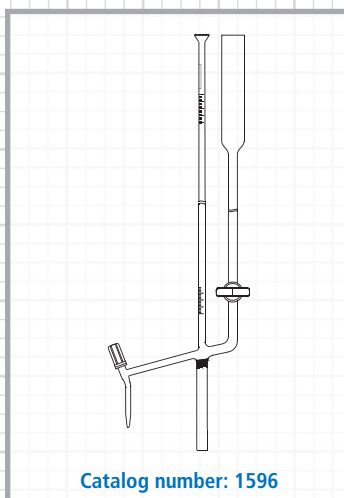
Notice: Borosilicate glass



Catalog number: 1594

MICROBURETTES

MICROBURETTE ACCORDING TO BANG WITH LATERAL PTFE VALVE, WITH INTERMEDIATE STOPCOCK WITH GLASS KEY, CLASS AS

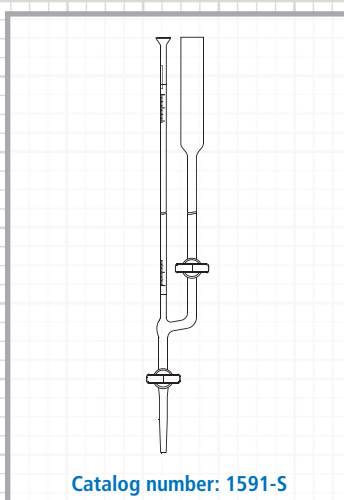


Mikrobürette nach BANG mit seitlichem PTFE-Ventil, mit Umlaufhahn mit Glas-Küken, Klasse AS
Mikrobyreta podle BANGA s bočním ventilem, s přepouštěcím kohoutem se skleněným kladívkem, třída AS

Code	Capacity (ml)	Subdivision (ml)	Permitted error (\pm ml)	Drawing	Packing (pcs)
632 436 065 314	1	0.01	0.006	3234	1
632 436 065 316	2	0.01	0.010	3235	1
632 436 065 517	3	0.02	0.010	3236	1
632 436 065 518	5	0.02	0.010	3237	1

Notice: Borosilicate glass

MICROBURETTE ACCORDING TO BANG WITH STRAIGHT STOPCOCK, GLASS KEY, WITH INTERMEDIATE STOPCOCK WITH GLASS KEY, WITH SCHELLBACH STRIPE, CLASS AS



Mikrobürette nach BANG mit Einweghahn, Glas-Küken, mit Umlaufhahn mit Glas-Küken, mit Schellbach-Streifen, Klasse AS

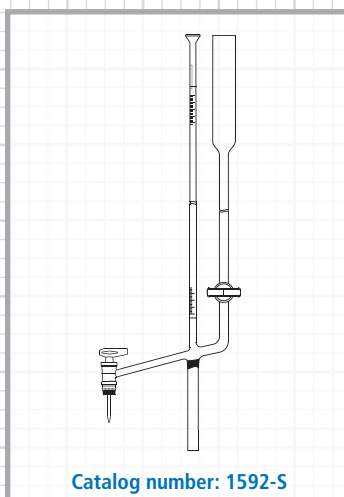
Mikrobyreta podle BANGA s přímým kohoutem se skleněným kladívkem, s přepouštěcím kohoutem se skleněným kladívkem, se Schellbachovým pruhem, třída AS

ISO: 385

Code	Capacity (ml)	Subdivision (ml)	Permitted error (\pm ml)	Drawing	Packing (pcs)
632 436 056 314	1 *	0.01	0.006	3254	1
632 436 056 316	2	0.01	0.010	3255	1
632 436 056 517	3 *	0.02	0.010	3256	1
632 436 056 518	5	0.02	0.010	3257	1

Notice: * not according to ISO standard Borosilicate glass

MICROBURETTE ACCORDING TO BANG WITH LATERAL STOPCOCK, LATERAL GLASS KEY, WITH INTERMEDIATE STOPCOCK WITH GLASS KEY, WITH SCHELLBACH STRIPE, CLASS AS



Mikrobürette nach BANG mit seitlichem Hahn, seitliches Glas-Küken, mit Umlaufhahn mit Glas-Küken, mit Schellbach-Streifen, Klasse AS

Mikrobyreta podle BANGA s bočním kohoutem a bočním skleněným kladívkem, s přepouštěcím kohoutem se skleněným kladívkem, se Schellbachovým pruhem, třída AS

ISO: 385

Code	Capacity (ml)	Subdivision (ml)	Permitted error (\pm ml)	Drawing	Packing (pcs)
632 436 057 314	1 *	0.01	0.006	3258	1
632 436 057 316	2	0.01	0.010	3259	1
632 436 057 517	3 *	0.02	0.010	3260	1
632 436 057 518	5	0.02	0.010	3261	1

Notice: * not according to ISO standard Borosilicate glass

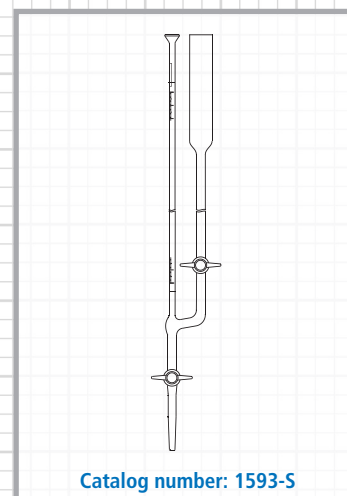
MICROBURETTE ACCORDING TO BANG WITH STRAIGHT STOPCOCK, PTFE KEY, WITH INTERMEDIATE STOPCOCK WITH PTFE KEY, WITH SCHELLBACH STRIPE, CLASS AS

Mikrobürette nach BANG mit Einweghahn, PTFE-Küken, mit Umlaufhahn mit PTFE-Küken, mit Schellbach-Streifen, Klasse AS

Mikrobüretta podle BANGA s přímým kohoutem a teflonovým kladívkem, s přepouštěcím kohoutem s teflonovým kladívkem, se Schellbachovým pruhem, třída AS

ISO: 385

Code	Capacity (ml)	Subdivision (ml)	Permitted error (\pm ml)	Drawing	Packing (pcs)
632 436 058 314	1 *	0.01	0.006	3262	1
632 436 058 316	2	0.01	0.010	3263	1
632 436 058 517	3 *	0.02	0.010	3264	1
632 436 058 518	5	0.02	0.010	3265	1



Catalog number: 1593-S

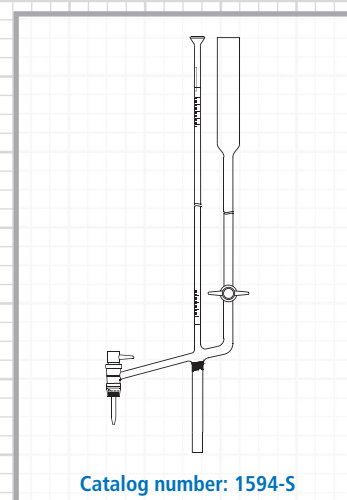
Notice: * not according to ISO standard Borosilicate glass

MICROBURETTE ACCORDING TO BANG WITH LATERAL STOPCOCK, LATERAL PTFE KEY, WITH INTERMEDIATE STOPCOCK WITH PTFE KEY, WITH SCHELLBACH STRIPE, CLASS AS

Mikrobürette nach BANG mit seitlichem Hahn, seitliches PTFE-Küken, mit Umlaufhahn mit PTFE-Küken, mit Schellbach-Streifen, Klasse AS

Mikrobüretta podle BANGA s bočním kohoutem a bočním teflonovým kladívkem, s přepouštěcím kohoutem s teflonovým kladívkem, se Schellbachovým pruhem, třída AS

Code	Capacity (ml)	Subdivision (ml)	Drawing	Packing (pcs)
632 436 059 314	1	0.01	3266	1
632 436 059 316	2	0.01	3267	1
632 436 059 517	3	0.02	3268	1
632 436 059 518	5	0.02	3269	1



Catalog number: 1594-S

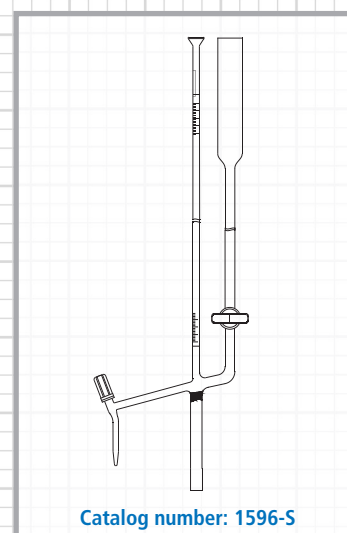
Notice: Borosilicate glass

MICROBURETTE ACCORDING TO BANG WITH LATERAL PTFE VALVE, WITH INTERMEDIATE STOPCOCK WITH GLASS KEY, WITH SCHELLBACH STRIPE, CLASS AS

Mikrobürette nach BANG, mit Seitlichem PTFE-Ventil, mit Umlaufhahn mit Glas-Küken, mit Schellbach-Streifen, Klasse AS

Mikrobüretta podle BANGA s bočním ventilem, s přepouštěcím kohoutem se skleněným kladívkem, se Schellbachovým pruhem, třída AS

Code	Capacity (ml)	Subdivision (ml)	Permitted error (\pm ml)	Drawing	Packing (pcs)
632 436 060 314	1	0.01	0.006	3221	1
632 436 060 316	2	0.01	0.010	3222	1
632 436 060 517	3	0.02	0.010	3233	1
632 436 060 518	5	0.02	0.010	3223	1

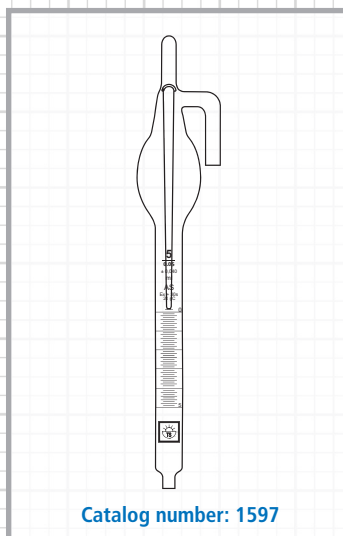


Catalog number: 1596-S

Notice: Borosilicate glass

AUTOMATIC BURETTES

AUTOMATIC BURETTE ACCORDING TO SCHILLING, WITHOUT ACCESSORIES

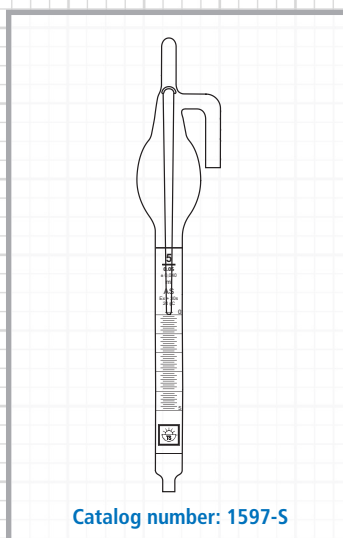


Automatische Bürette nach Schilling, ohne Zubehör
 Automatická byreta podle Schillinga, bez příslušenství

Code	Capacity (ml)	Subdivision (ml)	Permitted error (\pm ml)	Drawing	Packing (pcs)
632 436 090 618	5	0.05	0.040	3271	2
632 436 090 619	10	0.05	0.050	3272	2
632 436 090 720	15	0.1	0.060	3273	2
632 436 090 723	25	0.1	0.075	3274	2
632 436 090 725	50	0.1	0.100	3275	2

Notice: Borosilicate glass

AUTOMATIC BURETTE ACCORDING TO SCHILLING, WITH SCHELLBACH STRIPE, WITHOUT ACCESSORIES

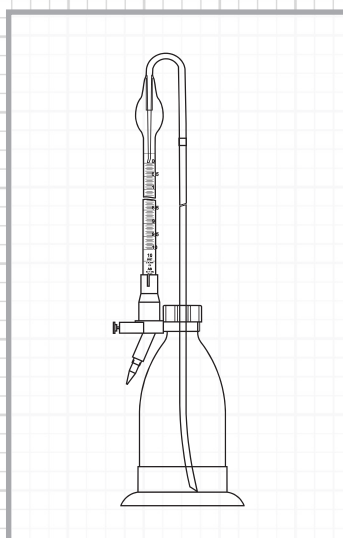


Automatische Bürette nach Schilling, mit Schellbach-Streifen, ohne Zubehör
 Automatická byreta podle Schillinga, se Schellbachovým pruhem, bez příslušenství

Code	Capacity (ml)	Subdivision (ml)	Permitted error (\pm ml)	Drawing	Packing (pcs)
632 436 085 618	5	0.05	0.040	2774	2
632 436 085 619	10	0.05	0.050	2775	2
632 436 085 720	15	0.1	0.060	2776	2
632 436 085 723	25	0.1	0.075	2777	2
632 436 085 725	50	0.1	0.100	2778	2

Notice: Borosilicate glass

AUTOMATIC BURETTE ACCORDING TO SCHILLING WITH ACCESSORIES, BOTTLE 500 ml



Automatische Bürette nach Schilling mit Zubehör, Flasche 500 ml
 Automatická byreta dle Schillinga s příslušenstvím, lahev 500 ml

Code	Capacity (ml)	Subdivision (ml)	Permitted error (\pm ml)	Drawing	Packing (pcs)
632 436 104 618	5	0.05	0.040	4274	1
632 436 104 619	10	0.05	0.050	4275	1
632 436 104 720	15	0.1	0.060	4276	1
632 436 104 723	25	0.1	0.075	4277	1
632 436 104 725	50	0.1	0.100	4278	1

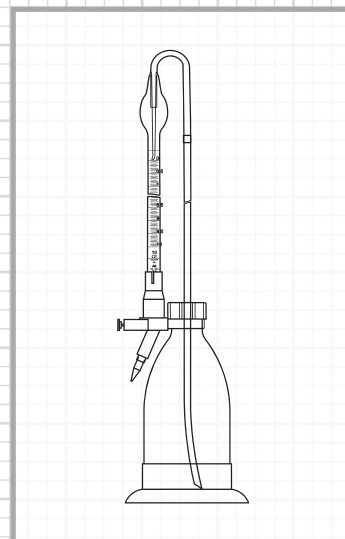
Notice: Borosilicate glass

AUTOMATIC BURETTE ACCORDING TO SCHILLING WITH SCHELLBACH STRIPE, WITH ACCESSORIES, BOTTLE 500 ml

Automatische Bürette nach Schilling mit Schellbach Streifen, mit Zubehör, Flasche 500 ml
 Automatická byreta dle Schillinga se Schellbachovým pruhem, s příslušenstvím, lahev 500 ml

Code	Capacity (ml)	Subdivision (ml)	Permitted error (\pm ml)	Drawing	Packing (pcs)
632 436 105 618	5	0.05	0.040	4279	1
632 436 105 619	10	0.05	0.050	4280	1
632 436 105 720	15	0.1	0.060	4281	1
632 436 105 723	25	0.1	0.075	4282	1
632 436 105 725	50	0.1	0.100	4283	1

Notice: Borosilicate glass

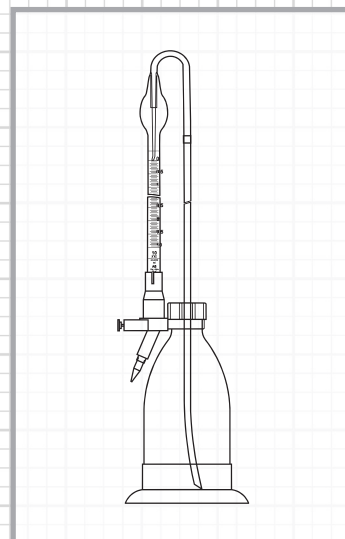


AUTOMATIC BURETTE ACCORDING TO SCHILLING WITH ACCESSORIES, BOTTLE 1000 ml

Automatische Bürette nach Schilling mit Zubehör, Flasche 1000 ml
 Automatická byreta dle Schillinga s příslušenstvím, lahev 1000 ml

Code	Capacity (ml)	Subdivision (ml)	Permitted error (\pm ml)	Drawing	Packing (pcs)
632 436 106 618	5	0.05	0.040	4284	1
632 436 106 619	10	0.05	0.050	4285	1
632 436 106 720	15	0.1	0.060	4286	1
632 436 106 723	25	0.1	0.075	4287	1
632 436 106 725	50	0.1	0.100	4288	1

Notice: Borosilicate glass

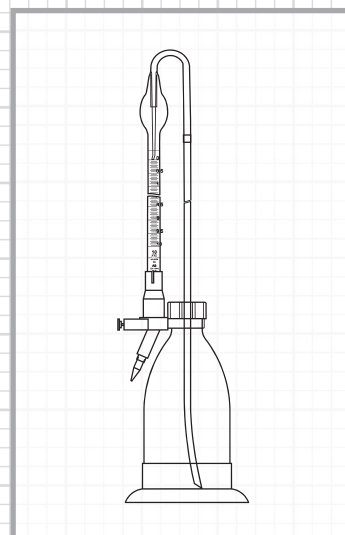


AUTOMATIC BURETTE ACCORDING TO SCHILLING WITH SCHELLBACH STRIPE, WITH ACCESSORIES, BOTTLE 1000 ml

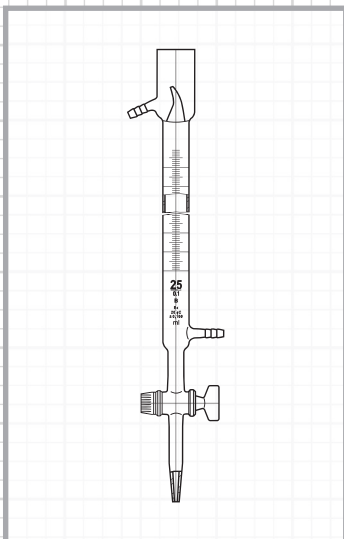
Automatische Bürette nach Schilling mit Schellbach Streifen, mit Zubehör, Flasche 1000 ml
 Automatická byreta dle Schillinga se Schellbachovým pruhem, s příslušenstvím, lahev 1000 ml

Code	Capacity (ml)	Subdivision (ml)	Permitted error (\pm ml)	Drawing	Packing (pcs)
632 436 107 618	5	0.05	0.040	4289	1
632 436 107 619	10	0.05	0.050	4290	1
632 436 107 720	15	0.1	0.060	4291	1
632 436 107 723	25	0.1	0.075	4292	1
632 436 107 725	50	0.1	0.100	4293	1

Notice: Borosilicate glass



BURETTE ACC. TO DAFFERT, STOPCOCK, GLASS KEY

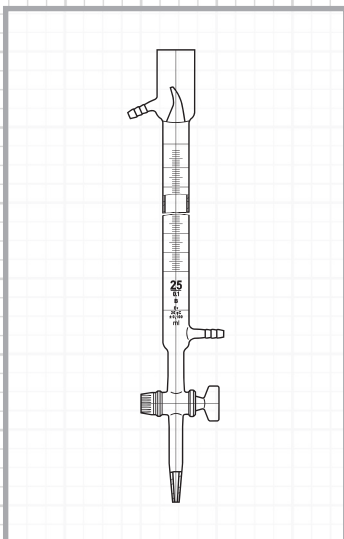


Bürette nach Daffert, Hahn mit Glasküken
Byreta dle Dafferta, kohout se skleněným kladívkem

Code	Capacity (ml)	Subdivision (ml)	Permitted error (\pm ml)	Drawing	Packing (pcs)
632 435 500 723	25	0.1	0.200	4400	1
632 435 500 725	50	0.1	0.200	4401	1

Notice: Borosilicate glass

BURETTE ACC. TO DAFFERT, STOPCOCK, GLASS KEY, SCHELLBACH STRIPE

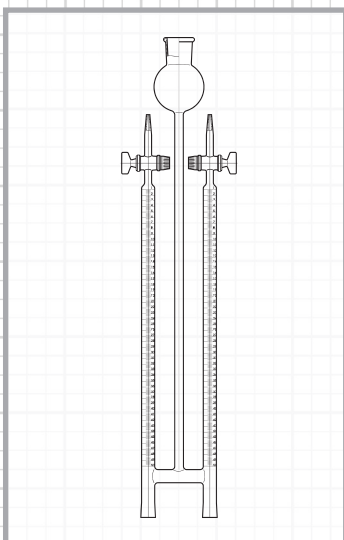


Bürette nach Daffert, Hahn mit Glasküken, Schellbach-Streifen
Byreta dle Dafferta, kohout se skleněným kladívkem, se Schellbachovým pruhem

Code	Capacity (ml)	Subdivision (ml)	Permitted error (\pm ml)	Drawing	Packing (pcs)
632 435 510 723	25	0.1	0.200	4402	1
632 435 510 725	50	0.1	0.200	4403	1

Notice: Borosilicate glass

WATER DECOMPOSITION APPARATUS ACC. TO HOFFMANN



Wasserzersetzungsapparat nach Hoffmann
Hoffmannův dekompoziční přístroj na vodu

Code	Capacity (ml)	Drawing	Packing (pcs)
632 435 300 001	2 x 50	3877	1

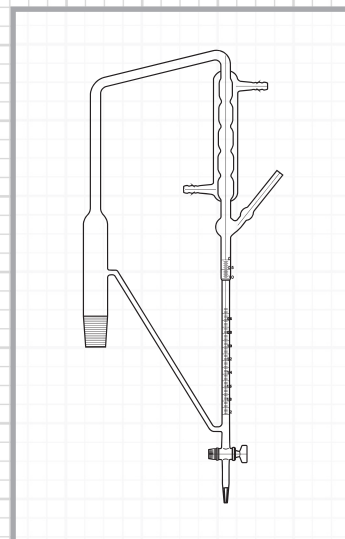
Notice: Borosilicate glass

APPARATUS FOR DETERMINATION OF VOLATILE OIL IN DRUGS - WITHOUT ACCESSORIES

Öluntersuchungsapparat zur Bestimmung des Gehaltes an Ätherischen Ölen - ohne Zubehör
 Přístroj na stanovení silic v drogách - bez příslušenství

Code	Capacity (ml)	Drawing	Packing (pcs)
632 442 110 909	1 ml (0,05) + 2 ml (0,02)	4221/1	1

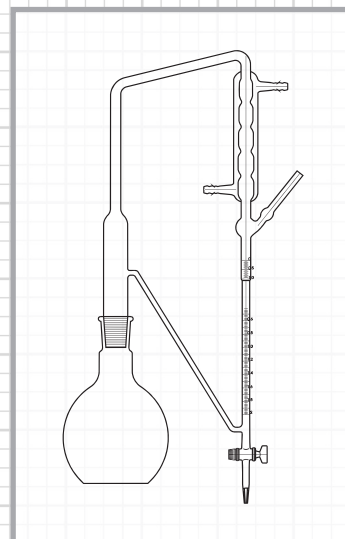
Notice: Borosilicate glass

**APPARATUS FOR DETERMINATION OF VOLATILE OIL IN DRUGS - WITH ACCESSORIES**

Öluntersuchungsapparat zur Bestimmung des Gehaltes an Ätherischen Ölen - mit Zubehör
 Přístroj na stanovení silic v drogách - včetně příslušenství

Code	Capacity (ml)	Bottle - capacity (ml)	Drawing	Packing (pcs)
632 442 110 910	1 ml (0,05) + 2 ml (0,02)	1000	4221	1

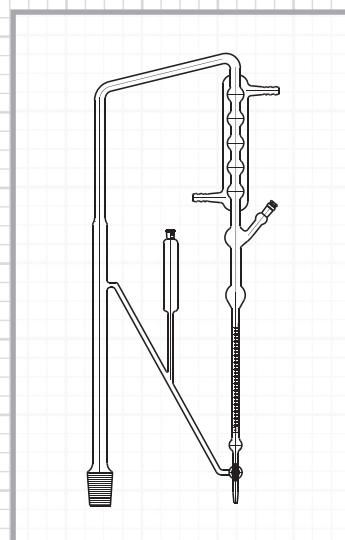
Notice: Borosilicate glass

**APPARATUS FOR DETERMINATION OF VOLATILE OIL IN DRUGS - WITHOUT ACCESSORIES**

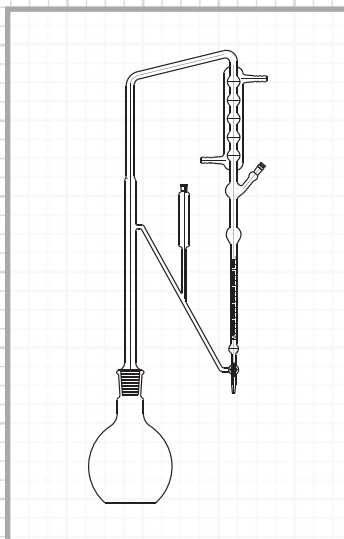
Öluntersuchungsapparat zur Bestimmung des Gehaltes an Ätherischen Ölen - ohne Zubehör
 Přístroj na stanovení silic v drogách - bez příslušenství

Code	Capacity (ml)	Drawing	ISO 6571:2009 Packing (pcs)
632 442 111 909	1 ml (0,05)	5552/1	1

Notice: Borosilicate glass



APPARATUS FOR DETERMINATION OF VOLATILE OIL IN DRUGS - WITH ACCESSORIES

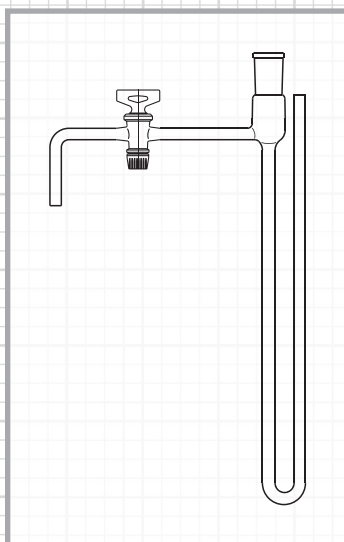


Öluntersuchungsapparat zur Bestimmung des Gehaltes an Ätherischen Ölen - mit Zubehör
 Přístroj na stanovení silic v drogách - včetně příslušenství

Code	Capacity (ml)	Bottle - capacity (ml)	Drawing	ISO 6571:2009 Packing (pcs)
632 442 111 910	1 ml (0,05)	1000	5552	1

Notice: Borosilicate glass

BLAINE APPARATUS FOR CEMENT TESTING

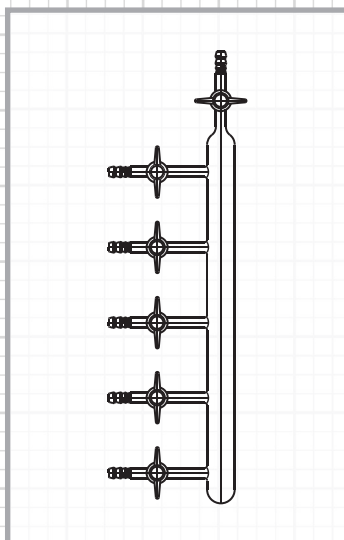


Blaine Gerät für Zement Messung
 Blainův přístroj na testování cementu

Code	Length (mm)	SJ Socket	Drawing	Packing
632 449 010 086	320	19/26	5086	1

Notice: Borosilicate glass

APPARATUS WITH PTFE STOPCOCKS



Apparat mit PTFE Hähnen
 Aparát s PTFE kohouty

Code	Length (mm)	Width (mm)	Number of stopcocks (pcs)	Stopcock size SJ	Drawing	Packing
632 449 902 236	240 ± 8	100 ± 3	3	14.5	5288/1	1
632 449 902 237	360 ± 8	100 ± 3	5	14.5	5288	1
632 449 902 240	540 ± 8	100 ± 3	8	14.5	5288/2	1

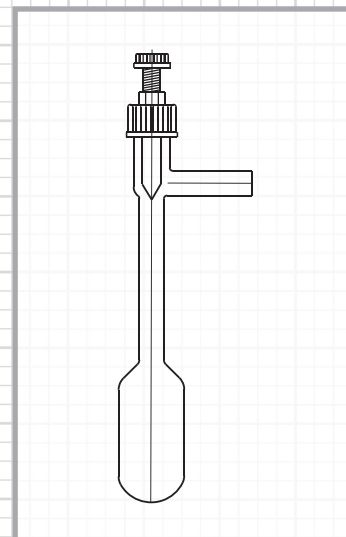
Notice: Borosilicate glass

MINERALIZATION BOTTLE - WITH PTFE VALVE

Mineralisationskolben mit PTFE Ventil

Mineralizační baňka

Code	Length (mm)	Width (mm)	Valve	Drawing	Packing (pcs)
632 442 650 001	185	65	VT 0-10	4362	1



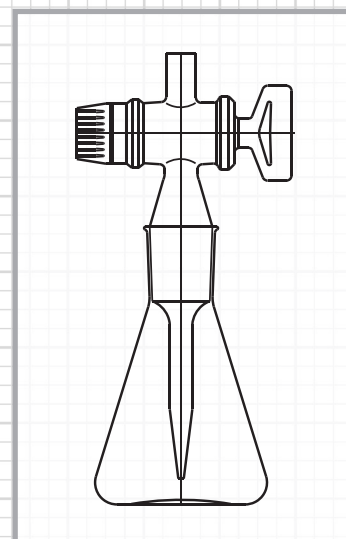
Notice: Borosilicate glass

WEIGHING BOTTLE FOR CORROSIVE LIQUIDS WITH STOPCOCK WITH GLASS KEY

Wäagegläser für Ätzmittel mit Hahn mit Glasküken

Odvažovačka na žiraviny s kohoutem se skleněným kladívkem

Code	Volume (ml)	SJ	Stopcock size SJ	Drawing	Packing (pcs)
632 421 203 051	50	19/26	12.5	295	1



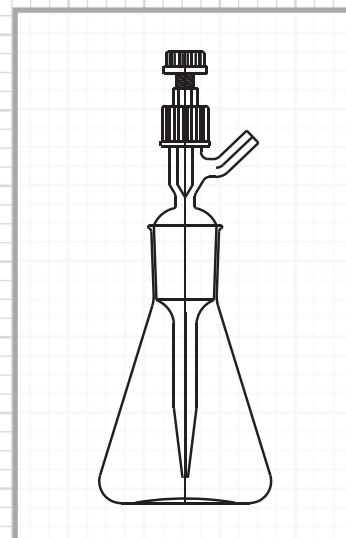
Notice: Borosilicate glass

WEIGHING BOTTLE FOR CORROSIVE LIQUIDS WITH VALVE VT 0-2

Wäagegläser für Ätzmittel mit Ventil VT 0-2

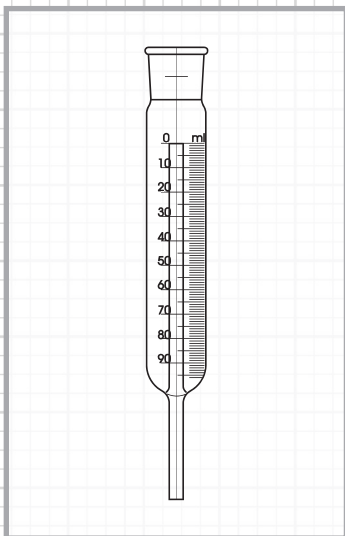
Odvažovačka na žiraviny s ventilem VT 0-2

Code	Volume (ml)	Valve	Drawing	Packing (pcs)
632 421 203 052	50	VT 0-2	503	1



Notice: Borosilicate glass

APPARATUS FOR DETERMINATION OF CO₂ IN MINERAL WATER - HAERTL - WITHOUT THERMOMETER

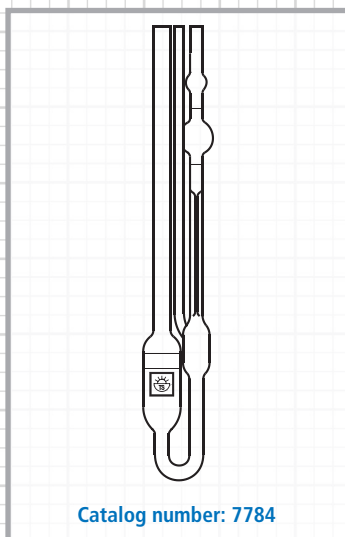


Apparat für Bestimmung von CO₂ im Mineralwasser - Haertl - ohne Thermometer
Přístroj na stanovení CO₂ v minerální vodě - Haertl - bez teploměru

Code	Water capacity (ml)	Gas capacity (ml)	Drawing	Packing (pcs)
632 445 518 010	100	25	4405	1

Notice: Borosilicate glass

VISCOMETER ACCORDING TO UBBELOHDE



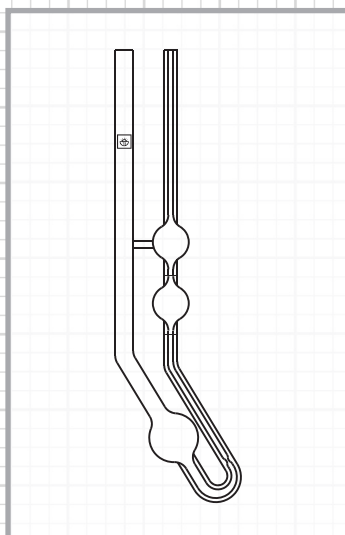
Viskosimeter nach Ubbelohde
Viskozimetr dle Ubbelohdeho

Code	Size according to ISO	Nominal constant mm ² /s (± 15%)	Kinematic viscosity range mm ² /s	Drawing	ISO:3105 Packing (pcs)
632 733 100 020	Oc	0.003	0,7 to 3	1336/2-A	1
632 733 100 010	Oa	0.005	1 to 5	1336/2-A	1
632 733 100 030	I	0.01	2 to 10	1336/2-A	1
632 733 100 040	Ic	0.03	6 to 30	1336/2-A	1
632 733 100 050	II	0.1	20 to 100	1336/2-A	1
632 733 100 060	IIc	0.3	60 to 300	1336/2-A	1
632 733 100 070	III	1	200 to 1000	1336/2-A	1
632 733 100 080	IIIc	3	600 to 3000	1336/2-A	1
632 733 100 090	IV	10	2000 to 10000	1336/2-A	1

Catalog number: 7784

Notice: Borosilicate glass

CANNON - FENSKE ROUTINE VISCOMETER



Cannon - Fenske Viskozimetr
Cannon - Fenske Viskozimetr

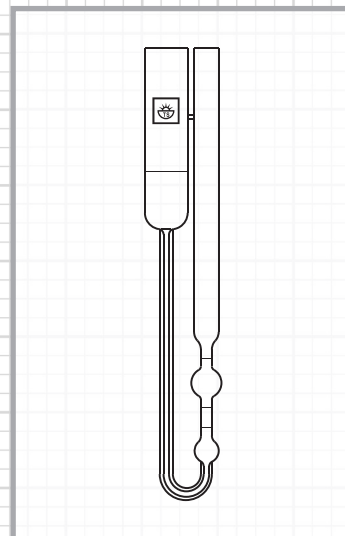
Code	Size according to ISO	Nominal constant mm ² /s (± 15%)	Kinematic viscosity range mm ² /s	Drawing	ISO:3105 Packing (pcs)
632 733 123 025	25	0.002	0.5 to 2	5510	1
632 733 123 050	50	0.004	0.8 to 4	5510	1
632 733 123 075	75	0.008	1.6 to 8	5510	1
632 733 123 100	100	0.015	3 to 15	5510	1
632 733 123 150	150	0.035	7 to 35	5510	1
632 733 123 200	200	0.1	20 to 100	5510	1
632 733 123 300	300	0.25	50 to 250	5510	1
632 733 123 350	350	0.5	100 to 500	5510	1
632 733 123 400	400	1.2	240 to 1 200	5510	1
632 733 123 450	450	2.5	500 to 2 500	5510	1
632 733 123 500	500	8	1 600 to 8 000	5510	1
632 733 123 600	600	20	4 000 to 20 000	5510	1

Notice: Borosilicate glass

VISCOMETER FOR NON - TRANSPARENT LIQUIDS

Viskosimeter für undurchsichtige Flüssigkeiten
 Viskozimetr pro neprůhledné kapaliny

Code	Size according to ISO	Nominal constant mm ² /s (± 15%)	Kinematic viscosity range mm ² /s	Drawing	ISO:3105 Packing (pcs)
632 733 114 010	1	0.003	0.6 to 3	5509	1
632 733 114 020	2	0.01	2 to 10	5509	1
632 733 114 030	3	0.03	6 to 30	5509	1
632 733 114 040	4	0.1	20 to 100	5509	1
632 733 114 050	5	0.3	60 to 300	5509	1
632 733 114 060	6	1.0	200 to 1 000	5509	1
632 733 114 070	7	3.0	600 to 3 000	5509	1
632 733 114 080	8	10	2 000 to 10 000	5509	1

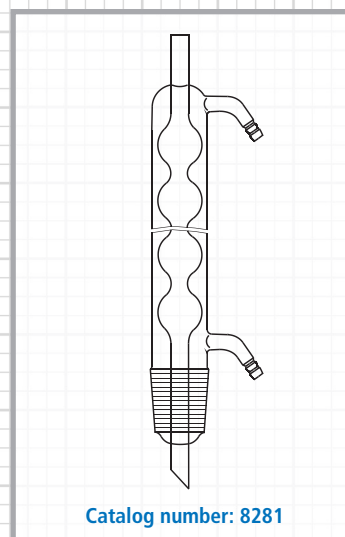


Notice: Borosilicate glass

CONDENSER ALLIHN, FOR EXTRACTORS, SJ CONE

Allihn-Kühler für Extraktoren, NS Kern
 Chladič pro extraktory, kuličkový

Code	Capacity (ml)	Length (mm)	SJ Cone	Drawing	Packing (pcs)
632 442 001 070	70	200	34/35	1281	1
632 442 001 100	100	300	45/40	1281	1



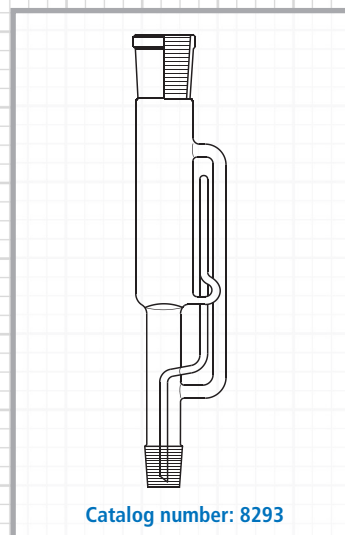
Catalog number: 8281

Notice: Borosilicate glass

EXTRACTOR BODY, SOXHLET

Extraktoraufsatz nach Soxhlet
 Extrakční nástavec podle Soxhleta

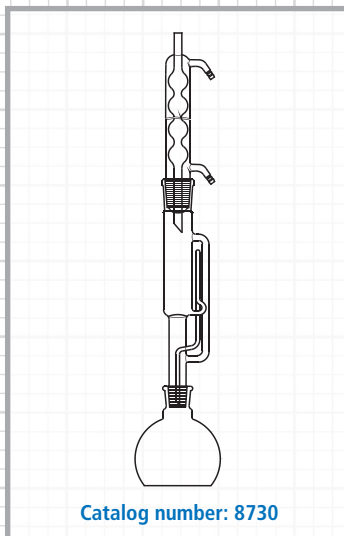
Code	Capacity (ml)	SJ Socket	SJ Cone	Drawing	Packing (pcs)
632 442 002 070	70	34/35	29/32	1293	1
632 442 002 100	100	45/40	29/32	1293/1	1



Catalog number: 8293

Notice: Borosilicate glass

EXTRACTOR SOXHLET WITH ALLIHN CONDENSER AND FLASK

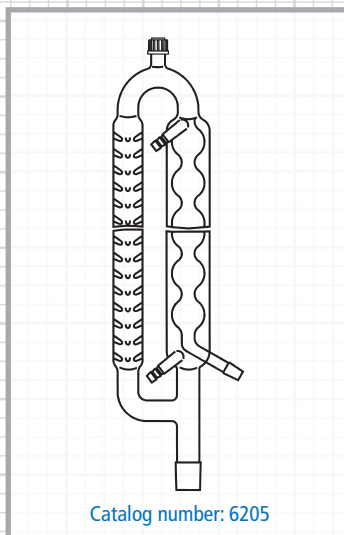


Extraktor nach Soxhlet mit Allihn-Kühler und Flasche
 Extrakční přístroj podle Soxhleta s chladičem dle Allihna a zásobní lahví

Code	Capacity (ml)	Condenser length mm/SJ cone	Extractor body SJ socket/cone	Flask capacity ml /SJ	Drawing	Packing (pcs)
632 442 003 070	70	200-34/35	34/35-29/32	100-29/32	1291	1
632 442 003 100	100	300-45/40	45/40-29/32	250-29/32	1291	1

Notice: Borosilicate glass

CONNECTED DISTILLING APPARATUS

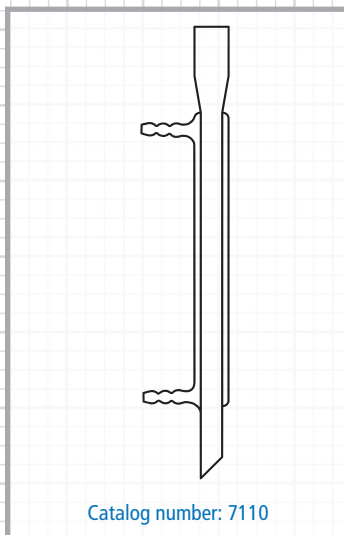


Verbundener Destillationsapparat
 Spojený destilační přístroj

Code	Length (mm)	SJ	Drawing	Packing (Pcs)
632 446 205 003	300	29/32	318	1
632 446 205 004	400	29/32	318/1	1
632 446 205 005	500	29/32	319	1

Notice: Borosilicate glass

CONDENSER LIEBIG



Liebig-Kühler
 Chladič podle Liebiga

Code	Length (mm)	Drawing	Packing (pcs)
632 442 505 200	200	1289	1
632 442 505 300	300	1289	1
632 442 505 400	400	1289	1
632 442 505 500	500	1289	1
632 442 505 700	700	1289	1
632 442 505 990	1000	1289	1

Notice: Borosilicate glass

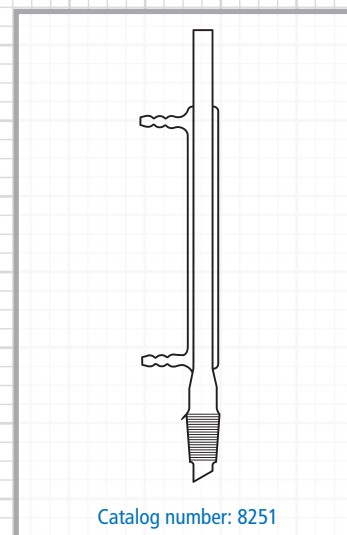
CONDENSER LIEBIG, SJ CONE AT THE BOTTOM

Liebig-Kühler mit NS-Kern unten

Chladič podle Liebiga s NZ dole

Code	Length (mm)	SJ	Drawing	Packing (pcs)
632 442 506 205	200	29/32	1283	1
632 442 506 305	300	29/32	1283	1
632 442 506 405	400	29/32	1283	1
632 442 506 705	700	29/32	1283	1
632 442 506 995	1000	29/32	1283	1

Notice: Borosilicate glass

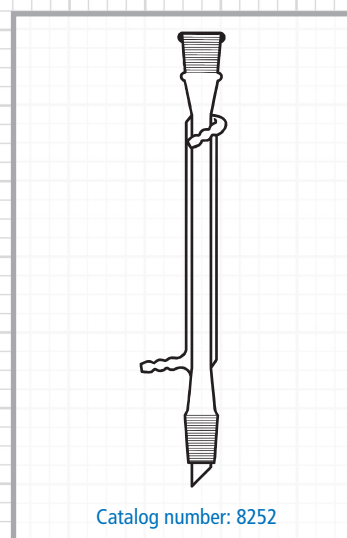
**CONDENSER LIEBIG, SJ CONE AND SOCKET**

Liebig-Kühler mit NS-Kern und Hülse

Chladič podle Liebiga se dvěma NZ

Code	Length (mm)	SJ	Drawing	Packing (pcs)
632 442 507 165	160	29/32	1282/f	1
632 442 507 205	200	29/32	1282	1
632 442 507 255	250	29/32	1282/e	1
632 442 507 305	300	29/32	1282/a	1
632 442 507 405	400	29/32	1282/b	1
632 442 507 605	600	29/32	1282/g	1
632 442 507 705	700	29/32	1282/c	1
632 442 507 995	1000	29/32	1282/d	1

Notice: Borosilicate glass

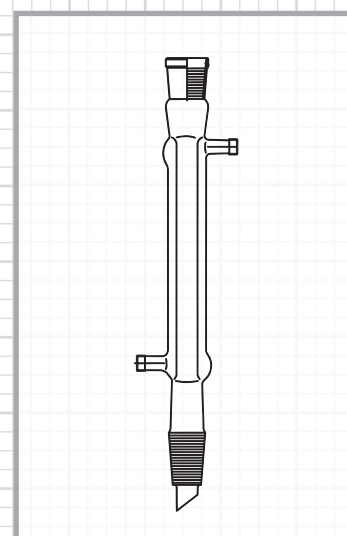
**CONDENSER LIEBIG, SJ CONE AND SOCKET AND SCREWS GL 14**

Liebig Kühler mit NS-Kern und Hülse, mit Gewinden GL14

Chladič podle Liebiga se dvěma NZ a závity GL 14

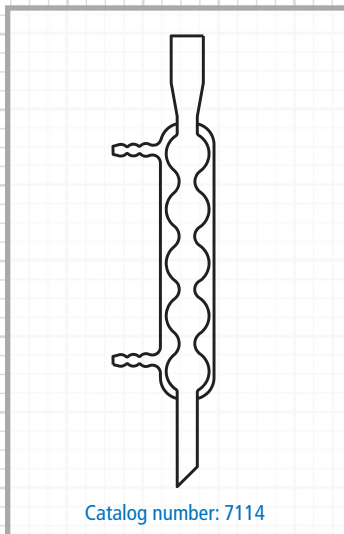
Code	Length (mm)	SJ	Drawing	Packing (pcs)
632 442 503 162	160	14/23	2416.3 S	1
632 442 503 163	160	19/26	2417.3 S	1
632 442 503 165	160	29/32	2418.4 S	1
632 442 503 202	200	14/23	2416/a.3S	1
632 442 503 203	200	19/26	2417/a.3S	1
632 442 503 205	200	29/32	2418/a.4S	1
632 442 503 252	250	14/23	2416/b.3S	1
632 442 503 253	250	19/26	2417/b.3S	1
632 442 503 255	250	29/32	2418/b.4S	1
632 442 503 302	300	14/23	2416/c.3S	1
632 442 503 303	300	19/26	2417/c.3S	1
632 442 503 305	300	29/32	2418/c.4S	1
632 442 503 402	400	14/23	2416/d.3S	1
632 442 503 403	400	19/26	2417/d.3S	1
632 442 503 405	400	29/32	2418/d.4S	1

Notice: Borosilicate glass



CONDENSERS

CONDENSER ALLIHN

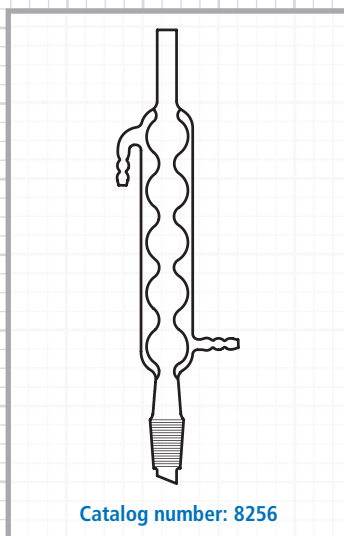


Allihn-Kühler (Kugelkühler)
Chladič podle Allihna

Code	Length (mm)	Drawing	Packing (pcs)
632 442 511 200	200	1248	1
632 442 511 300	300	1248	1
632 442 511 400	400	1248	1
632 442 511 600	600	1248	1

Notice: Borosilicate glass

CONDENSER ALLIHN, SJ CONE

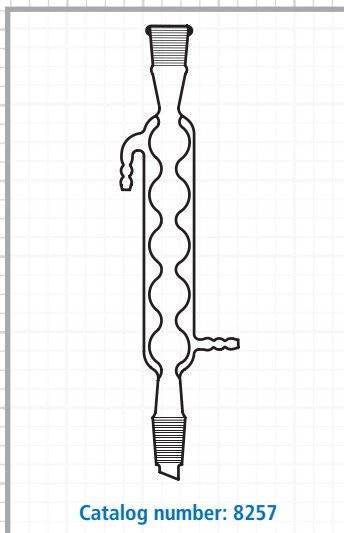


Allihn-Kühler (Kugelkühler) mit NS-Kern
Chladič podle Allihna se zabroušeným jádrem

Code	Length (mm)	SJ	Drawing	Packing (pcs)
632 442 512 205	200	29/32	1284	1
632 442 512 305	300	29/32	1284	1
632 442 512 405	400	29/32	1284	1
632 442 512 605	600	29/32	1284	1

Notice: Borosilicate glass

CONDENSER ALLIHN, SJ CONE AND SOCKET



Allihn-Kühler (Kugelkühler) mit NS-Kern und Hülse
Chladič podle Allihna se dvěma NZ

Code	Length (mm)	SJ	Drawing	Packing (pcs)
632 442 513 165	160	29/32	1288.1	1
632 442 513 205	200	29/32	1288.1	1
632 442 513 255	250	29/32	1288.1	1
632 442 513 305	300	29/32	1288.1	1
632 442 513 405	400	29/32	1288.1	1
632 442 513 605	600	29/32	1288.1	1

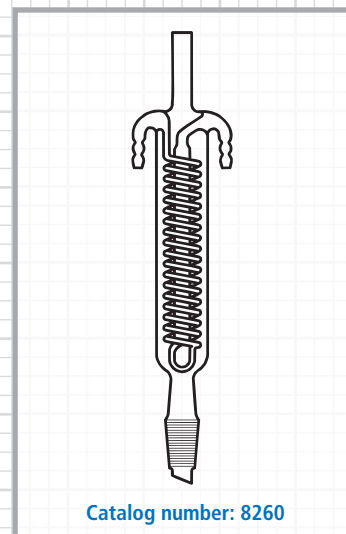
Notice: Borosilicate glass

CONDENSER DIMROTH, SJ CONE

Dimroth-Kühler (Spiralkühler) mit NS-Kern
Chladič spirálový podle Dimrotha s NZ

Code	Length (mm)	SJ	Drawing	Packing (pcs)
632 442 516 205	200	29/32	1287	1
632 442 516 305	300	29/32	1287	1
632 442 516 405	400	29/32	1287	1
632 442 516 605	600	29/32	1287	1

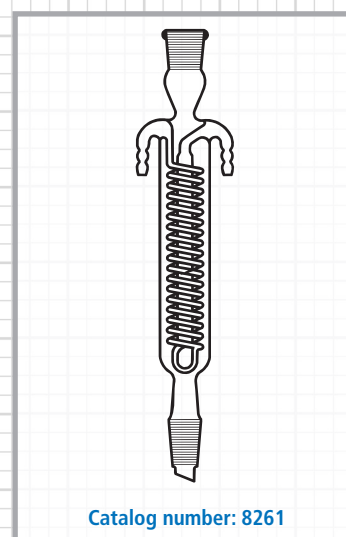
Notice: Borosilicate glass

**CONDENSER DIMROTH, SJ CONE AND SOCKET**

Dimroth-Kühler (Spiralkühler) mit NS-Kern und Hülse
Chladič spirálový podle Dimrotha se dvěma NZ

Code	Length (mm)	SJ	Drawing	Packing (pcs)
632 442 517 165	160	29/32	1286	1
632 442 517 205	200	29/32	1286	1
632 442 517 255	250	29/32	1286	1
632 442 517 305	300	29/32	1286	1
632 442 517 405	400	29/32	1286	1
632 442 517 505	500	29/32	1286	1
632 442 517 605	600	29/32	1286	1

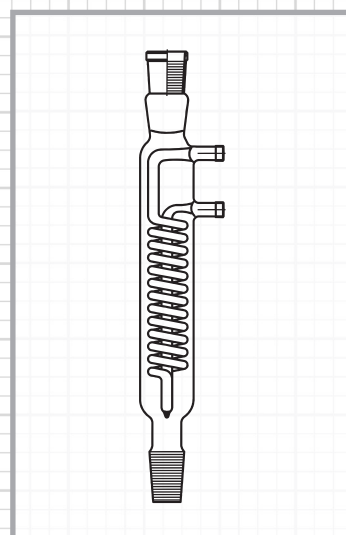
Notice: Borosilicate glass

**CONDENSER DIMROTH, SJ CONE AND SOCKET AND SCREWS GL 14**

Dimroth-Kühler (Spiralkühler) mit NS-Kern und Hülse, mit Gewinden GL14
Chladič podle Dimrotha se dvěma NZ a závity GL 14

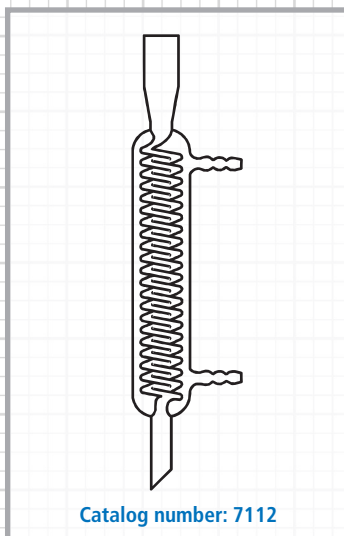
Code	Length (mm)	SJ	Drawing	Packing (pcs)
632 442 524 162	160	14/23	2421.1S	1
632 442 524 163	160	19/26	2420 S	1
632 442 524 165	160	29/32	2419 S	1
632 442 524 202	200	14/23	2421/a S	1
632 442 524 203	200	19/26	2420/a S	1
632 442 524 205	200	29/32	2419/a S	1
632 442 524 252	250	14/23	2421/b S	1
632 442 524 253	250	19/26	2420/b S	1
632 442 524 255	250	29/32	2419/b S	1
632 442 524 302	300	14/23	2421/c S	1
632 442 524 303	300	19/26	2420/c S	1
632 442 524 305	300	29/32	2419/c S	1
632 442 524 402	400	14/23	2421/d S	1
632 442 524 403	400	19/26	2420/d S	1
632 442 524 405	400	29/32	2419/d S	1

Notice: Borosilicate glass



CONDENSERS

CONDENSER COIL

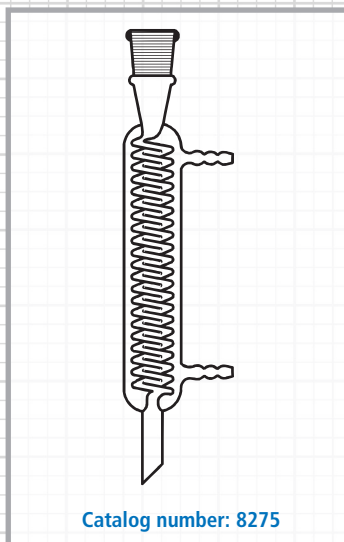


Schlangenkühler
Chladič spirálový

Code	Length (mm)	Drawing	Packing (pcs)
632 442 515 200	200	3022	1
632 442 515 300	300	3022	1
632 442 515 400	400	3022	1

Notice: Borosilicate glass

CONDENSER COIL, SJ SOCKET

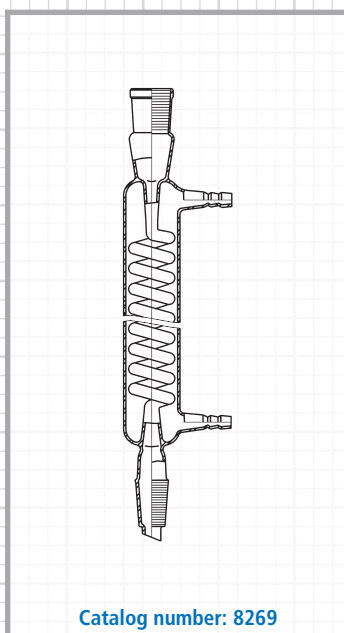


Schlangenkühler mit NS-Hülse
Chladič spirálový se zabroušeným pláštěm

Code	Length (mm)	SJ	Drawing	Packing (pcs)
632 442 519 305	300	29/32	1252	1
632 442 519 405	400	29/32	1252	1

Notice: Borosilicate glass

CONDENSER COIL, SJ CONE AND SOCKET



Schlangenkühler mit NS-Kern und Hülse
Chladič spirálový se dvěma NZ

Code	Length (mm)	SJ	Drawing	Packing (pcs)
632 442 529 162	160	14/23	3121/1	1
632 442 529 163	160	19/26	3121/2	1
632 442 529 165	160	29/32	3121	1
632 442 529 202	200	14/23	3121/1	1
632 442 529 203	200	19/26	3121/2	1
632 442 529 205	200	29/32	3121	1
632 442 529 252	250	14/23	3121/1	1
632 442 529 253	250	19/26	3121/2	1
632 442 529 255	250	29/32	3121	1
632 442 529 302	300	14/23	3121/1	1
632 442 529 303	300	19/26	3121/2	1
632 442 529 305	300	29/32	3121	1
632 442 529 402	400	14/23	3121/1	1
632 442 529 403	400	19/26	3121/2	1
632 442 529 405	400	29/32	3121	1
632 442 529 602	600	14/23	3121/1	1
632 442 529 603	600	19/26	3121/2	1
632 442 529 605	600	29/32	3121	1

Notice: Borosilicate glass

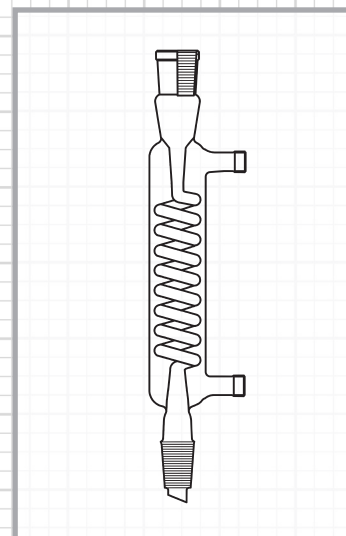
CONDENSER COIL, SJ CONE AND SOCKET AND SCREWS GL 14

Schlangenkühler mit NS-Kern und Hülse, mit Gewinden GL14

Chladič spirálový se dvěma NZ a závity GL 14

Code	Length (mm)	SJ	Drawing	Packing (pcs)
632 442 522 162	160	14/23	2531	1
632 442 522 163	160	19/26	2532	1
632 442 522 165	160	29/32	2533	1
632 442 522 252	250	14/23	2531/a	1
632 442 522 253	250	19/26	2532/a	1
632 442 522 255	250	29/32	2533/a	1
632 442 522 402	400	14/23	2531/b	1
632 442 522 403	400	19/26	2532/b	1
632 442 522 405	400	29/32	2533/b	1

Notice: Borosilicate glass

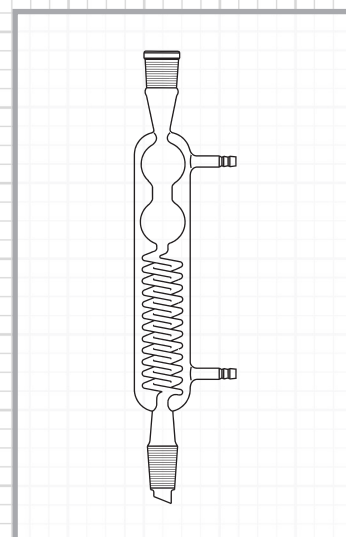
**CONDENSER - COMBINED**

Kühler - kombiniert

Chladič - kombinovaný

Code	Length (mm)	SJ	Drawing	Packing (pcs)
632 442 405 202	200	14/23	2662.1	1
632 442 405 305	300	29/32	2662.1	1
632 442 405 405	400	29/32	2662.1	1
632 442 405 505	500	29/32	2662.1	1

Notice: Borosilicate glass

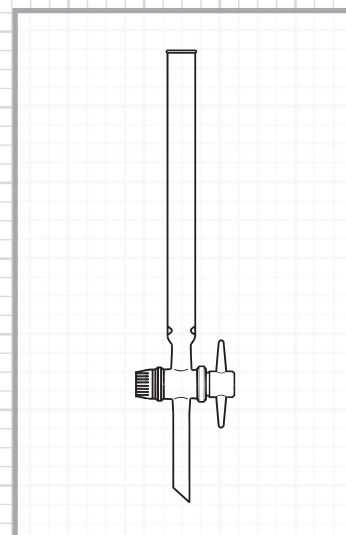
**CHROMATOGRAPHY-COLUMN WITH INDENTATIONS AND STOPCOCK WITH PTFE KEY**

Chromatographie-Säule mit Einstichen und Hahn mit PTFE Kücken

Chromatografická kolona se zápichy a s kohoutem s teflonovým kladívkem

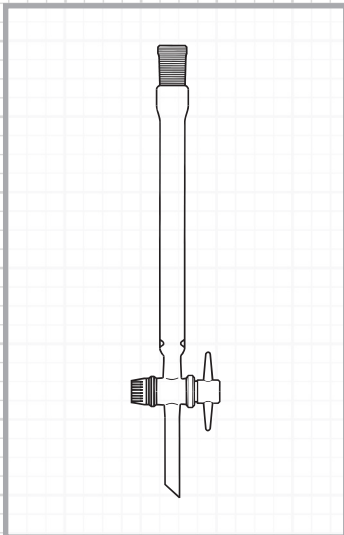
Code	Capacity (ml)	Inside diameter (mm)	Total length (mm)	Stopcock size (mm)	Drawing	Packing (pcs)
632 449 040 015	15	10	200	12.5	4425	1
632 449 040 035	35	15	200	12.5	4426	1
632 449 040 070	70	15	400	12.5	4427	1
632 449 040 125	125	20	400	12.5	4428	1
632 449 040 430	430	30	600	12.5	4429	1
632 449 040 999	1000	40	800	12.5	4430	1

Notice: Borosilicate glass



CHROMATOGRAPHY COLUMNS

CHROMATOGRAPHY-COLUMN WITH INDENTATIONS AND SJ SOCKET, WITH STOPCOCK WITH PTFE KEY

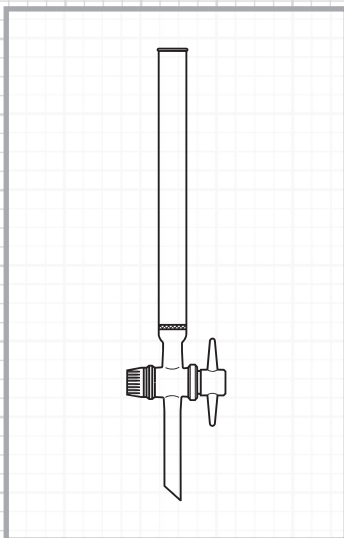


Chromatographie-Säule mit Einstichen und NS Hülse, mit Hahn und PTFE Küken
Chromatografická kolona se zápichy a s NZ zábrusem, s kohoutem s teflonovým kladivkem

Code	Capacity (ml)	Inside diameter (mm)	Total length (mm)	Stopcock size (mm)	Socket size (mm)	Drawing	Packing (pcs)
632 449 041 015	15	10	200	12.5	14/23	4431	1
632 449 041 035	35	15	200	12.5	14/23	4432	1
632 449 041 070	70	15	400	12.5	14/23	4433	1
632 449 041 125	125	20	400	12.5	29/32	4434	1
632 449 041 430	430	30	600	12.5	29/32	4435	1
632 449 041 999	1000	40	800	12.5	29/32	4436	1

Notice: Borosilicate glass

CHROMATOGRAPHY-COLUMN WITH SINTERED GLASS DISC (POROSITY 0) AND STOPCOCK WITH PTFE KEY

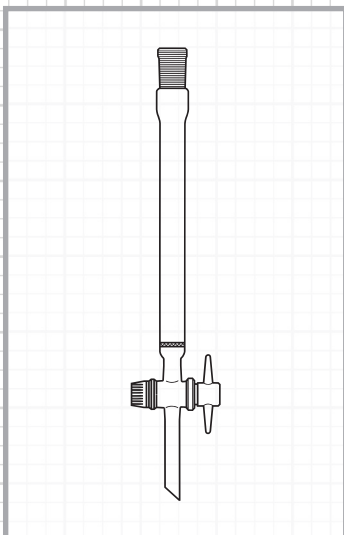


Chromatographie-Säule mit Fritte (Porosität 0) und Hahn mit PTFE Küken
Chromatografická kolona s fritou (porozita 0) a s kohoutem s teflonovým kladivkem

Code	Capacity (ml)	Inside diameter (mm)	Total length (mm)	Stopcock size (mm)	Drawing	Packing (pcs)
632 449 042 015	15	10	200	12.5	4437	1
632 449 042 035	35	15	200	12.5	4438	1
632 449 042 070	70	15	400	12.5	4439	1
632 449 042 125	125	20	400	12.5	4440	1
632 449 042 430	430	30	600	12.5	4441	1
632 449 042 999	1000	40	800	12.5	4442	1

Pore size (µm): 160 - 250
Notice: Borosilicate glass

CHROMATOGRAPHY-COLUMN WITH SINTERED GLASS DISC (POROSITY 0) AND SJ SOCKET AND STOPCOCK WITH PTFE KEY



Chromatographie-Säule mit Fritte (Porosität 0) und NS Hülse und Hahn mit PTFE Küken
Chromatografická kolona s fritou (porozita 0), s NZ zábrusem a s kohoutem s teflonovým kladivkem

Code	Capacity (ml)	Inside diameter (mm)	Total length (mm)	Stopcock size (mm)	Socket size (mm)	Drawing	Packing (pcs)
632 449 043 015	15	10	200	12.5	14/23	4443	1
632 449 043 035	35	15	200	12.5	14/23	4444	1
632 449 043 070	70	15	400	12.5	14/23	4445	1
632 449 043 125	125	20	400	12.5	29/32	4446	1
632 449 043 430	430	30	600	12.5	29/32	4447	1
632 449 043 999	1000	40	800	12.5	29/32	4448	1

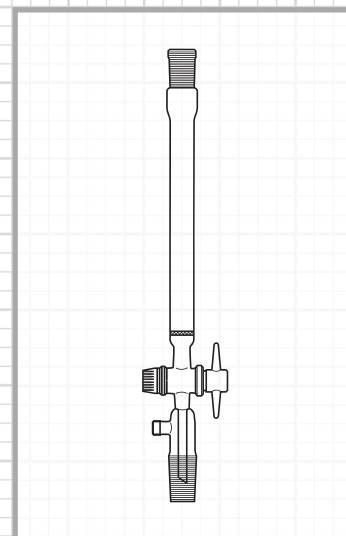
Pore size (µm): 160 - 250
Notice: Borosilicate glass

CHROMATOGRAPHY-COLUMN WITH SINTERED GLASS DISC (POROSITY 0) AND SJ SOCKET, STOPCOCK WITH PTFE KEY AND CONE WITH GL 18

Chromatographie-Säule mit Frite (Porosität 0) und NS Hülse, Hahn mit PTFE Küken und Kern mit GL 18
 Chromatografická kolona s fritou (porozita 0), s NZ zábrusem, s kohoutem s teflonovým kladívkem a jádrem s GL 18

Code	Capacity (ml)	Inside diameter (mm)	Total length (mm)	Stopcock size (mm)	Socket/cone size (mm)	Drawing	Packing (pcs)
632 449 044 035	35	15	200	12.5	14/23	4449	1
632 449 044 070	70	15	200	12.5	14/23	4450	1
632 449 044 125	125	20	400	12.5	29/32	4451	1
632 449 044 280	280	30	400	12.5	29/32	4452	1
632 449 044 430	430	30	600	12.5	29/32	4453	1

Pore size (µm): 160 - 250
 Notice: Borosilicate glass

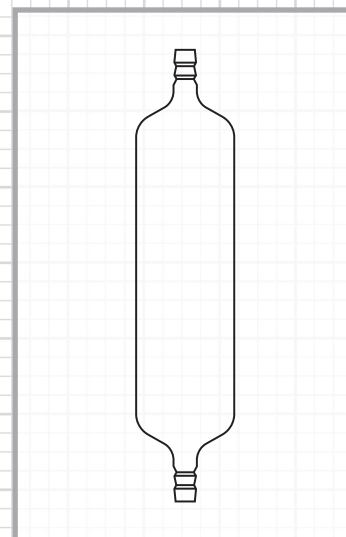


TUBE GAS COLLECTING, WITH TWO HOSE CONNECTIONS

Gassammelröhre mit zwei Oliven
 Vzorkovnice na plyny s dvěmi olivkami

Code	Capacity (ml)	Outside diameter (mm)	Total length (mm)	Drawing	Packing (pcs)
632 443 610 100	100	38	200	4344	1
632 443 610 150	150	42	210	4344	1
632 443 610 250	250	50	240	4344	1
632 443 610 500	500	70	250	4344	1

Notice: Borosilicate glass

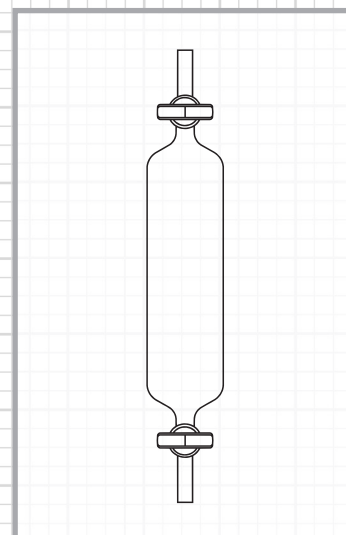


TUBE GAS COLLECTING, WITH STRAIGHT STOPCOCKS - GLASS KEY

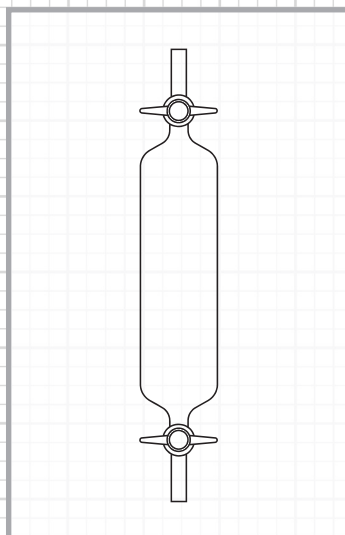
Gassammelröhre mit geraden Hähnen - Glasküken
 Vzorkovnice na plyny s rovnými kohouty - skleněné kladívko

Code	Capacity (ml)	Outside diameter (mm)	Total length (mm)	Stopcock size SJ	Drawing	Packing (pcs)
632 443 620 100	100	38	235	12.5	4345	1
632 443 620 150	150	42	245	12.5	4345	1
632 443 620 250	250	50	290	14.5	4345	1
632 443 620 500	500	70	300	14.5	4345	1

Notice: Borosilicate glass



TUBE GAS COLLECTING, WITH STRAIGHT STOPCOCKS - PTFE KEY

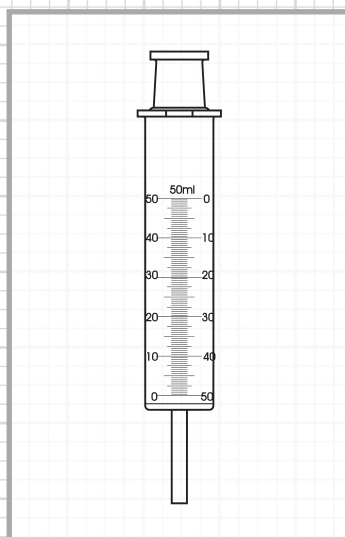


Gassammelröhre mit geraden Hähnen - PTFE Küken
Vzorkovnice na plyny s rovnými kohouty - teflonové kladívko

Code	Capacity (ml)	Outside diameter (mm)	Total length (mm)	Stopcock size SJ	Drawing	Packing (pcs)
632 443 630 100	100	38	235	12.5	4346	1
632 443 630 150	150	42	245	12.5	4346	1
632 443 630 250	250	50	290	14.5	4346	1
632 443 630 500	500	70	300	14.5	4346	1

Notice: Borosilicate glass

GAS SYRINGE

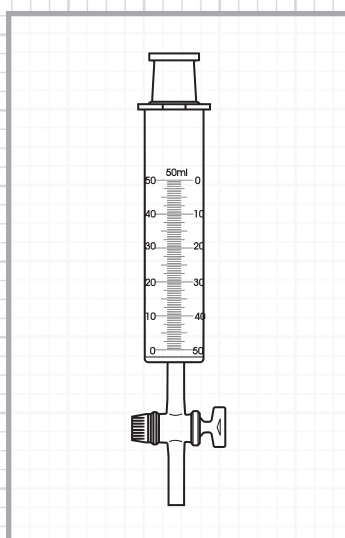


Kolbenprober
Stříkačka na plyn

Code	Syringe capacity (ml)	Drawing	Packing (pcs)
632 441 359 011	50	4236	1
632 441 358 011	100	4165	1

Notice: Neutral glass

GAS SYRINGE WITH SINGLE WAY STOPCOCK



Kolbenprober mit Einweghahn
Stříkačka na plyn s jednocestným kohoutem

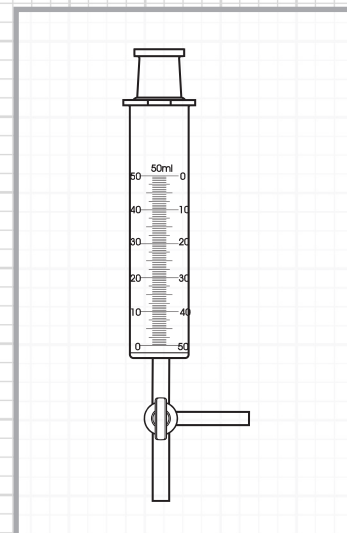
Code	Syringe capacity (ml)	Stopcock size (mm)	Stopcock capillary (mm)	Drawing	Packing (pcs)
632 441 359 013	50	SJ 12,5	2 x OD 8 x ID 3	4237	1
632 441 358 013	100	SJ 12,5	2 x OD 8 x ID 3	3132/1	1

Notice: Neutral glass

GAS SYRINGE WITH THREE-WAY STOPCOCK

Kolbenprober mit Dreiweghahn
Stříkačka na plyn s trojcestným kohoutem

Code	Syringe capacity (ml)	Stopcock size (mm)	Stopcock capillary (mm)	Drawing	Packing (pcs)
632 441 359 099	50	SJ 12,5	3 x OD 8 x ID 3	4238	1
632 441 358 099	100	SJ 12,5	3 x OD 8 x ID 3	3133/1	1

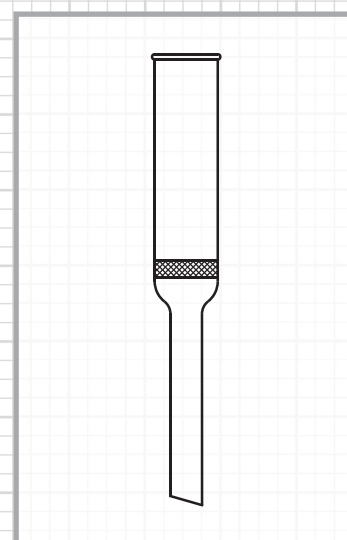


Notice: Neutral glass

FILTER TUBES, ALLIHN

Filterrohre, nach Allihn
Filtrační trubice, Allihn

Code	Capacity (ml)	Filter diameter (mm)	Porosity	Pore size in μm	Drawing	Packing (pcs)
632 442 500 010	30	20	0	160 - 250	4478	10
632 442 500 011	30	20	1	100 - 160	4478	10
632 442 500 012	30	20	2	40 - 100	4478	10
632 442 500 013	30	20	3	16 - 40	4478	10
632 442 500 014	30	20	4	10 - 16	4478	10

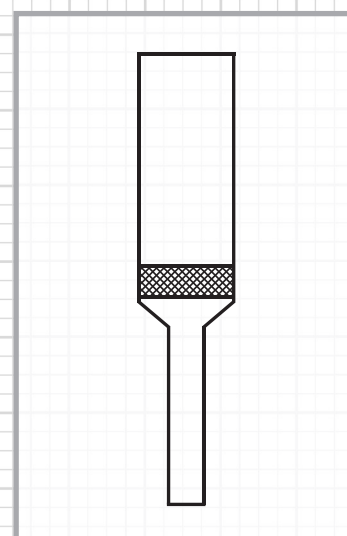


Notice: Borosilicate glass

MICRO FILTER FUNNELS

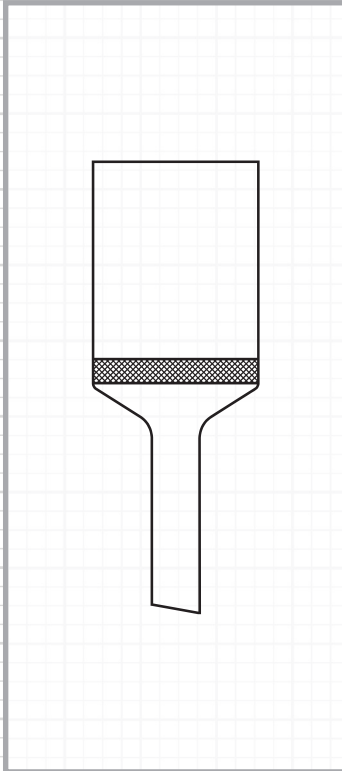
Mikro-Filternutschen
Mikro-nuč s fritou

Code	Capacity (ml)	Filter diameter (mm)	Porosity	Pore size in μm	Drawing	Packing (pcs)
632 421 500 070	0.8	10	0	160 - 250	4479	10
632 421 500 071	0.8	10	1	100 - 160	4479	10
632 421 500 072	0.8	10	2	40 - 100	4479	10
632 421 500 073	0.8	10	3	16 - 40	4479	10
632 421 500 074	0.8	10	4	10 - 16	4479	10
632 421 500 090	2	10	0	160 - 250	4480	10
632 421 500 091	2	10	1	100 - 160	4480	10
632 421 500 092	2	10	2	40 - 100	4480	10
632 421 500 093	2	10	3	16 - 40	4480	10
632 421 500 094	2	10	4	10 - 16	4480	10



Notice: Borosilicate glass

FILTER FUNNELS

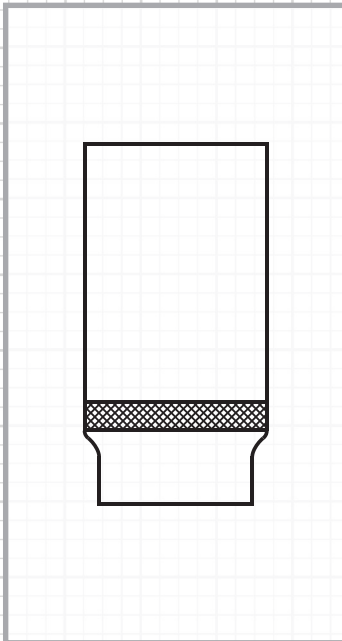


Filternutschen
Nuč s rovnou fritou

Code	Capacity (ml)	Filter diameter (mm)	Porosity	Pore size in μm	Drawing	Packing (pcs)
632 421 501 010	50	35	0	160 - 250	4481	10
632 421 501 011	50	35	1	100 - 160	4481	10
632 421 501 012	50	35	2	40 - 100	4481	10
632 421 501 013	50	35	3	16 - 40	4481	10
632 421 501 014	50	35	4	10 - 16	4481	10
632 421 501 020	75	45	0	160 - 250	4482	10
632 421 501 021	75	45	1	100 - 160	4482	10
632 421 501 022	75	45	2	40 - 100	4482	10
632 421 501 023	75	45	3	16 - 40	4482	10
632 421 501 024	75	45	4	10 - 16	4482	10
632 421 501 030	125	60	0	160 - 250	4483	10
632 421 501 031	125	60	1	100 - 160	4483	10
632 421 501 032	125	60	2	40 - 100	4483	10
632 421 501 033	125	60	3	16 - 40	4483	10
632 421 501 034	125	60	4	10 - 16	4483	10
632 421 501 040	500	95	0	160 - 250	4484	10
632 421 501 041	500	95	1	100 - 160	4484	10
632 421 501 042	500	95	2	40 - 100	4484	10
632 421 501 043	500	95	3	16 - 40	4484	10
632 421 501 044	500	95	4	10 - 16	4484	10
632 421 501 050	1000	120	0	160 - 250	4485	10
632 421 501 051	1000	120	1	100 - 160	4485	10
632 421 501 052	1000	120	2	40 - 100	4485	10
632 421 501 053	1000	120	3	16 - 40	4485	10
632 421 501 054	1000	120	4	10 - 16	4485	10

Notice: Borosilicate glass

FILTER CRUCIBLES



Filtertiegel
Filtráčni kelimek

Code	Capacity (ml)	Filter diameter (mm)	Porosity	Pore size in μm	Drawing	Packing (pcs)
632 421 503 010	8	20	0	160 - 250	4486	10
632 421 503 011	8	20	1	100 - 160	4486	10
632 421 503 012	8	20	2	40 - 100	4486	10
632 421 503 013	8	20	3	16 - 40	4486	10
632 421 503 014	8	20	4	10 - 16	4486	10
632 421 503 030	15	23	0	160 - 250	4487	10
632 421 503 031	15	23	1	100 - 160	4487	10
632 421 503 032	15	23	2	40 - 100	4487	10
632 421 503 033	15	23	3	16 - 40	4487	10
632 421 503 034	15	23	4	10 - 16	4487	10
632 421 503 050	30	30	0	160 - 250	4488	10
632 421 503 051	30	30	1	100 - 160	4488	10
632 421 503 052	30	30	2	40 - 100	4488	10
632 421 503 053	30	30	3	16 - 40	4488	10
632 421 503 054	30	30	4	10 - 16	4488	10
632 421 503 070	50	40	0	160 - 250	4489	10
632 421 503 071	50	40	1	100 - 160	4489	10
632 421 503 072	50	40	2	40 - 100	4489	10
632 421 503 073	50	40	3	16 - 40	4489	10
632 421 503 074	50	40	4	10 - 16	4489	10

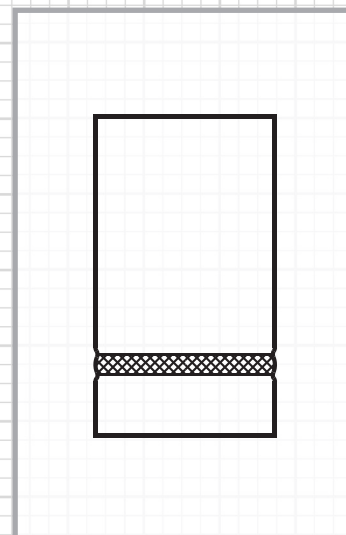
Notice: Borosilicate glass

FILTER CRUCIBLES FOR DIETARY FIBRE EXTRACTION

Filtertiegel zur Rohfaser - Extraktion

Filtrační kelímek pro extrakci

Code	Capacity (ml)	Filter diameter (mm)	Length (mm)	Porosity	Pore size in μm	Drawing	Packing (pcs)
632 421 504 010	30	30	60	0	160 - 250	5570	10
632 421 504 011	30	30	60	1	100 - 160	5570	10
632 421 504 012	30	30	60	2	40 - 100	5570	10
632 421 504 013	30	30	60	3	16 - 40	5570	10
632 421 504 014	30	30	60	4	10 - 16	5570	10



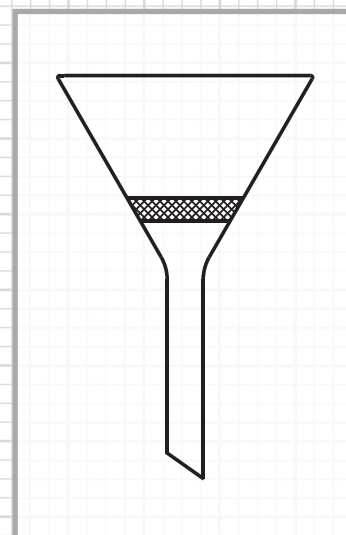
Notice: Borosilicate glass

FILTER FUNNEL, WITH FILTER DISC

Filtertrichter, mit Frittenplatte

Filtrační nálevka s fritou

Code	Diameter (mm)	Capacity (ml)	Porosity	Pore size in μm	Drawing	Packing (pcs)
632 421 502 030	55	25	0	160 - 250	4490	10
632 421 502 031	55	25	1	100 - 160	4490	10
632 421 502 032	55	25	2	40 - 100	4490	10
632 421 502 033	55	25	3	16 - 40	4490	10
632 421 502 034	55	25	4	10 - 16	4490	10
632 421 502 040	100	170	0	160 - 250	4491	10
632 421 502 041	100	170	1	100 - 160	4491	10
632 421 502 042	100	170	2	40 - 100	4491	10
632 421 502 043	100	170	3	16 - 40	4491	10
632 421 502 044	100	170	4	10 - 16	4491	10



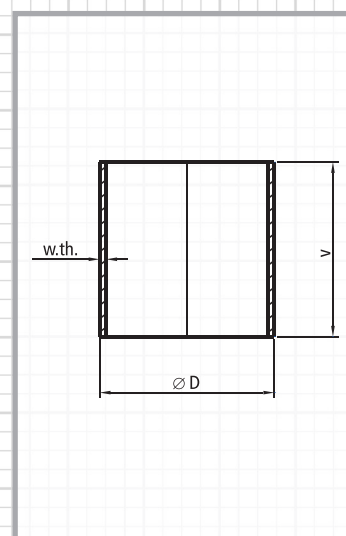
Notice: Borosilicate glass

RASCHIG RINGS

Raschig - Ringe

Raschigovy kroužky

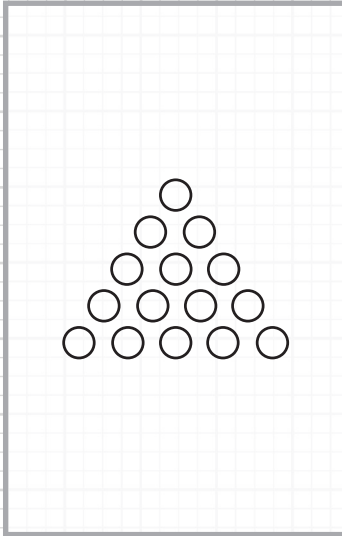
Code	Diameter (mm)	Wall thickness (mm)	Length (mm)	Drawing	Packing
632 691 600 010	10	1,5	10	5494	100
632 691 600 015	15	1,2	15	5494	100
632 691 600 020	20	1,2	20	5494	100
632 691 600 030	30	1,4	30	5494	100
632 691 600 040	40	1,6	40	5494	100
632 691 600 050	50	1,6	50	5494	100
632 691 600 060	60	1,8	60	5494	50
632 691 600 080	80	2,5	80	5494	20
632 691 600 100	100	2,5	100	5494	10



Notice: Borosilicate glass

BALLS

BOROSILICATE GLASS BALLS - MATT

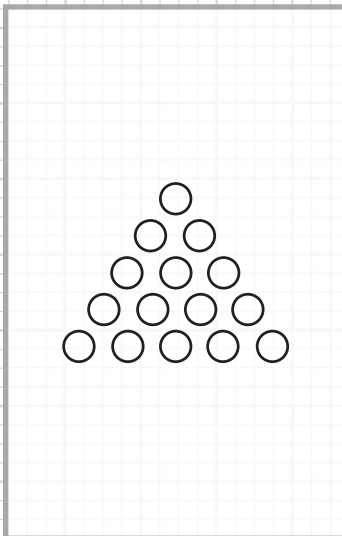


Borosilikatglas Kugeln - matt
Borosilikátové kuličky matné

Code	Diameter (mm)	Tolerance (mm)	Drawing	Packing
632 300 010 300	3.0	+/-0.2	5481	20 Kg
632 300 011 600	16.0	+/-0.4	5481/1	20 Kg

All other sizes within the presented diameter limit are available on request

BOROSILICATE GLASS BALLS - GLOSSY

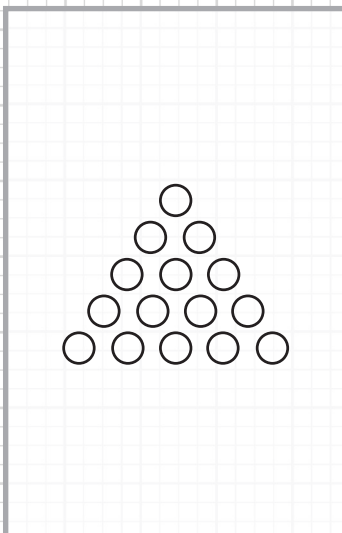


Borosilikatglas Kugeln - glänzend
Borosilikátové kuličky lesklé

Code	Diameter (mm)	Tolerance (mm)	Drawing	Packing
632 300 020 300	3.0	+/-0.2	5481/2	20 Kg
632 300 021 600	16.0	+/-0.4	5481/3	20 Kg

All other sizes within the presented diameter limit are available on request

SODA-LIME GLASS BALLS - MATT



Natronkalkglas Kugeln - matt
Sodnodraselné kuličky matné

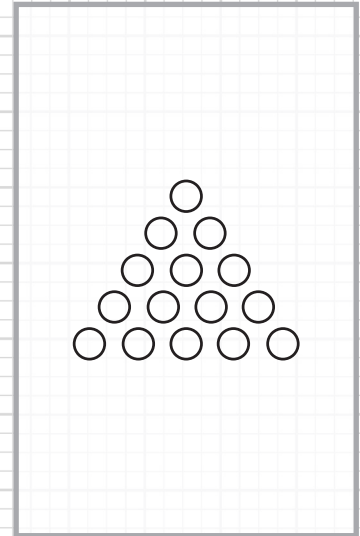
Code	Diameter (mm)	Tolerance (mm)	Drawing	Packing
632 300 030 200	2.0	+/- 0.2	5481/4	20 Kg
632 300 032 500	25.0	+/- 0.5	5481/5	20 Kg

All other sizes within the presented diameter limit are available on request

SODA-LIME GLASS BALLS - GLOSSY

Natronkalkglas Kugeln - glänzend
Sodnodraselné kuličky lesklé

Code	Diameter (mm)	Tolerance (mm)	Drawing	Packing
632 300 040 200	2.0	+/- 0,2	5481/6	20 Kg
632 300 041 400	14.0	+/- 0,3	5481/7	20 Kg

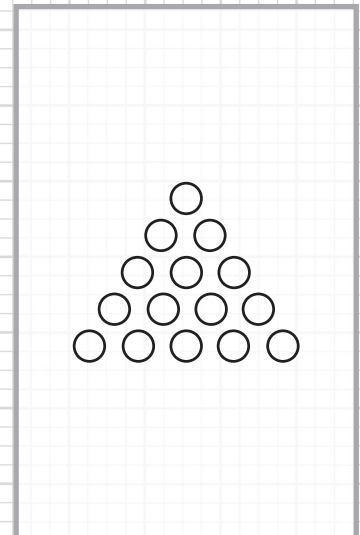


All other sizes within the presented diameter limit are available on request

PRECISE BOROSILICATE GLASS BALLS - MATT

Präzise Borosilikatglas Kugeln - matt
Přesné borosilikátové kuličky matné

Code	Diameter (mm)	Tolerance (mm)	Drawing	Packing
632 300 050 200	2.0	15-20 my*	5481/8	1 Kg
632 300 052 000	20.0	15-20 my*	5481/9	1 Kg

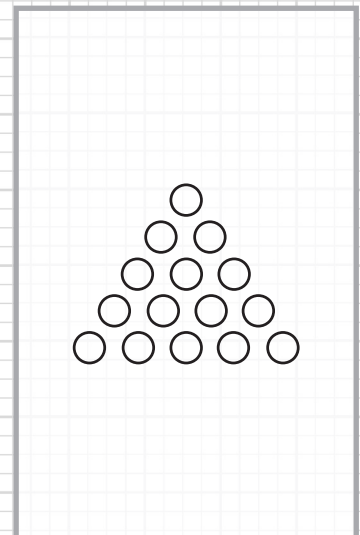


All other sizes within the presented diameter limit are available on request
* Better tolerance 5-10 my is available on request

PRECISE BOROSILICATE GLASS BALLS - GLOSSY

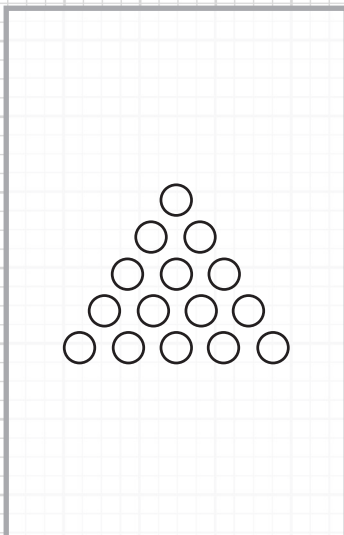
Präzise Borosilikatglas Kugeln - glänzend
Přesné borosilikátové kuličky lesklé

Code	Diameter (mm)	Tolerance (mm)	Drawing	Packing
632 300 060 200	2.0	15-20 my*	5481/10	1 Kg
632 300 062 000	20.0	15-20 my*	5481/11	1 Kg



All other sizes within the presented diameter limit are available on request
* Better tolerance 5-10 my is available on request

PRECISE SODA-LIME GLASS BALLS - MATT

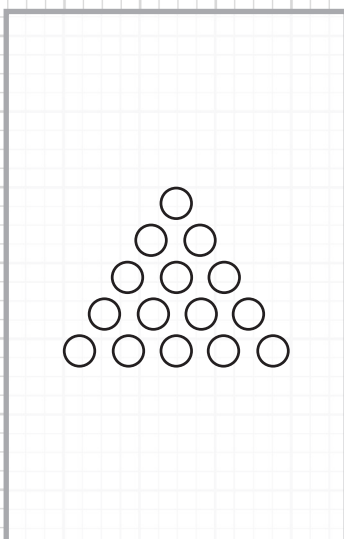


Präzise Natronkalkglas Kugeln - matt
Přesné sodnodraselné kuličky matné

Code	Diameter (mm)	Tolerance (mm)	Drawing	Packing
632 300 070 050	0.5	15-20 my*	5481/12	1 Kg
632 300 072 000	20.0	15-20 my*	5481/13	1 Kg

All other sizes within the presented diameter limit are available on request
* Better tolerance 5-10 my is available on request

PRECISE SODA-LIME GLASS BALLS - GLOSSY

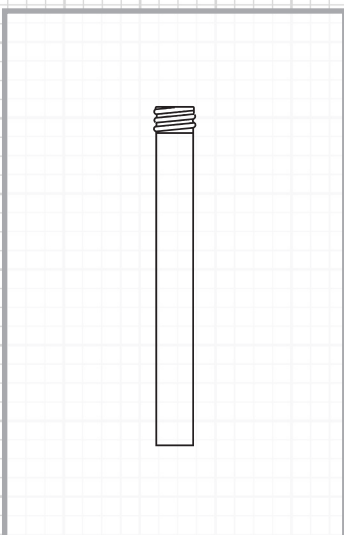


Präzise Natronkalkglas Kugeln - glänzend
Přesné sodnodraselné kuličky lesklé

Code	Diameter (mm)	Tolerance (mm)	Drawing	Packing
632 300 080 050	0.5	15-20 my*	5481/14	1 Kg
632 300 082 000	20.0	15-20 my*	5481/15	1 Kg

All other sizes within the presented diameter limit are available on request
* Better tolerance 5-10 my is available on request

SCREW GL



Gewinde GL
Závit GL

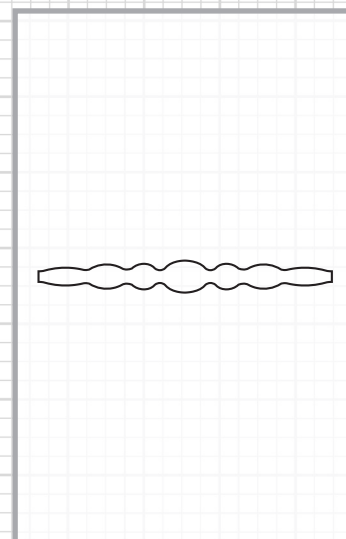
Code	GL (mm)	Tube diameter (mm)	Wall thickness (mm)	Drawing	Packing (pcs)
632 441 750 410	12	10	1.5	3781	1
632 441 750 420	14	12	1.5	1473/1	1
632 441 750 440	18	16	1.8	3782	1

Notice: Borosilicate glass

CONNECTING TUBE STRAIGHT, WITH CONICALLY ARRANGED HOSE CONNECTIONS FOR DIFFERENT DIAMETERS OF RUBBER TUBE

Verbindungsrohre, gerade, mit kegelförmig zusammengesetzten Oliven für verschiedene Schlauchdurchmesser
Spojovací rourka přímá, s kuželovitě sestavenými olivkami pro různé průměry pryžových hadic

Code	Total length (mm)	Drawing	Packing (pcs)
632 523 211 000	120	4495	20

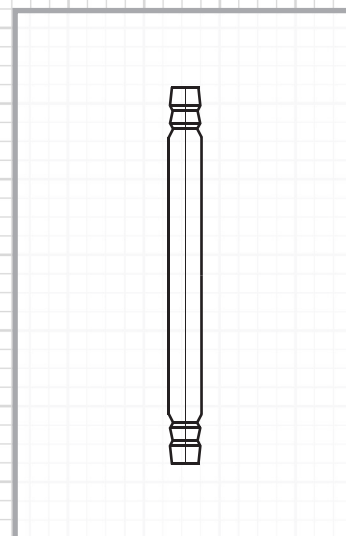


Notice: Borosilicate glass

DOUBLE-ENDED HOSE CONNECTION

Olive - Doppelseitig
Olivka - dvojkus

Code	Diameter (mm)	Length (mm)	Drawing	Packing (pcs)
632 523 200 196	6	215	3047	50
632 523 200 198	8	215	4506	50
632 523 200 199	9	215	3977	50
632 523 200 200	10	205	2280	50

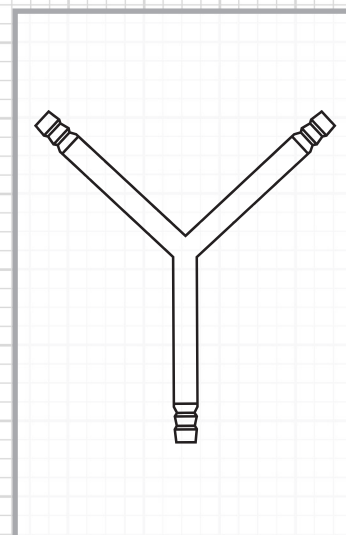


Notice: Borosilicate glass

CONNECTING TUBE, Y-SHAPE WITH HOSE CONNECTIONS

Verbindungsrohre, Y-Form mit Oliven
Spojovací rourka, tvar Y, s olivkami

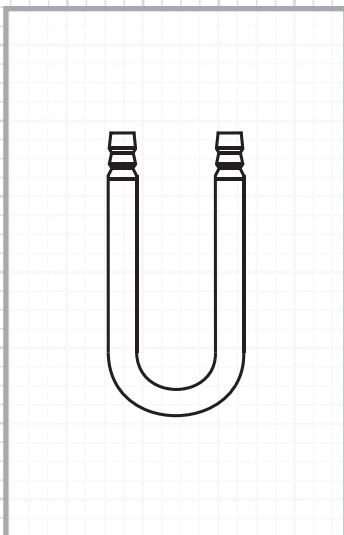
Code	Diameter (mm)	Length (mm)	Drawing	Packing (pcs)
632 523 241 103	4	30	4496	20
632 523 241 393	6	35	4496	20
632 523 241 504	8	40	4496	20
632 523 241 694	10	45	4496	20
632 523 241 894	12	45	4496	20



Notice: Borosilicate glass

CONNECTING TUBES

CONNECTING TUBE, U-SHAPE WITH HOSE CONNECTIONS

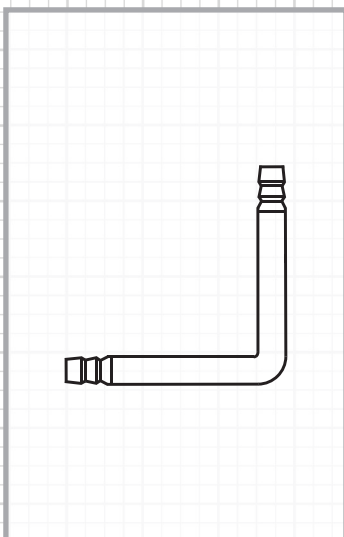


Verbindungsrohre, U-Form mit Oliven
Spojovací rourka, tvar U, s olivkami

Code	Diameter (mm)	Length (mm)	Drawing	Packing (pcs)
632 523 251 105	4	50	4497	20
632 523 251 305	6	50	4497	20
632 523 251 506	8	60	4497	20
632 523 251 606	10	60	4497	20

Notice: Borosilicate glass

CONNECTING TUBE, L-SHAPE WITH HOSE CONNECTIONS

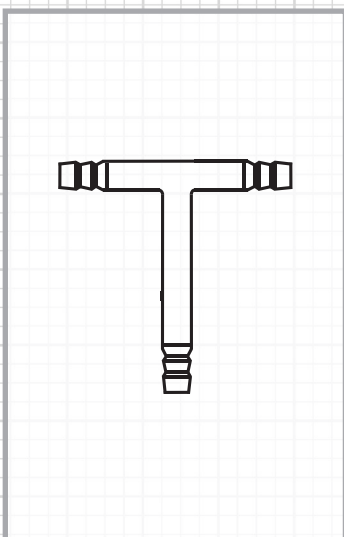


Verbindungsrohre, L-Form mit Oliven
Spojovací rourka, tvar L, s olivkami

Code	Diameter (mm)	Length (mm)	Drawing	Packing (pcs)
632 523 221 104	4	40	4498	20
632 523 221 306	6	60	4498	20
632 523 221 506	8	60	4498	20
632 523 221 606	10	60	4498	20

Notice: Borosilicate glass

CONNECTING TUBE, T-SHAPE WITH HOSE CONNECTIONS



Verbindungsrohre, T-Form mit Oliven
Spojovací rourka, tvar T, s olivkami

Code	Diameter (mm)	Length (mm)	Drawing	Packing (pcs)
632 523 231 105	4	50	4499	20
632 523 231 395	6	55	4499	20
632 523 231 506	8	60	4499	20
632 523 231 696	10	65	4499	20
632 523 231 896	12	65	4499	20

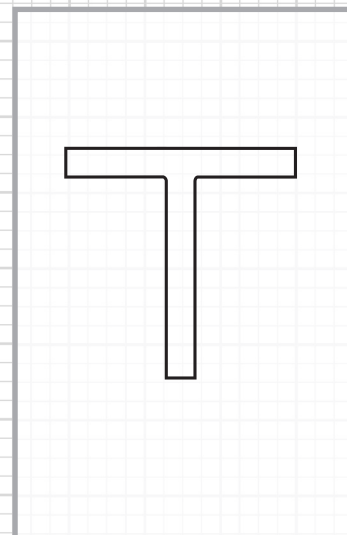
Notice: Borosilicate glass

CONNECTING TUBE, T-SHAPE WITHOUT HOSE CONNECTIONS

Verbindungsrohre, T-Form ohne Oliven

Spojovací rourka, tvar T, bez olivek

Code	Diameter (mm)	Length (mm)	Drawing	Packing (pcs)
632 523 232 105	4	50	4500	20
632 523 232 395	6	55	4500	20
632 523 232 506	8	60	4500	20
632 523 232 696	10	65	4500	20
632 523 232 896	12	65	4500	20



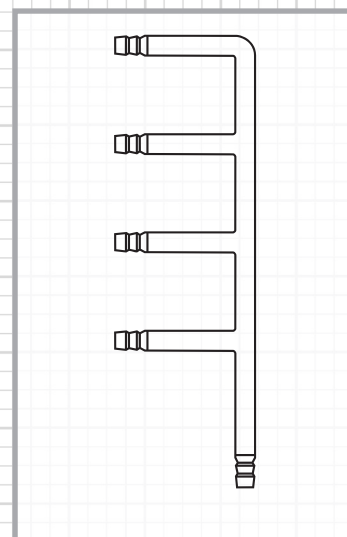
Notice: Borosilicate glass

MULTI OUTLET TUBE

Kammröhre

Rozbočka hřebenová

Code	No. of outlets	Diameter of outlets (mm)	Drawing	Packing (pcs)
632 523 601 000	3	8	4501	20
632 523 602 000	4	8	4501	20
632 523 603 000	6	8	4501	20
632 523 604 000	8	8	4501	20



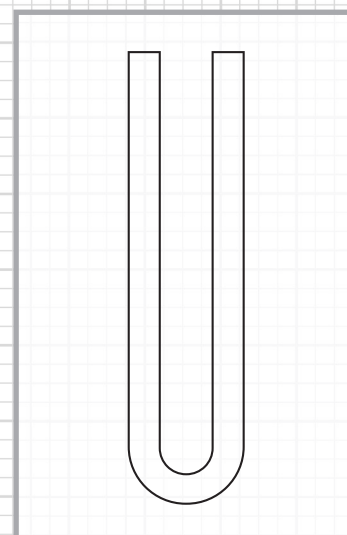
Notice: Borosilicate glass

U - TUBE

U - Röhre

U trubice

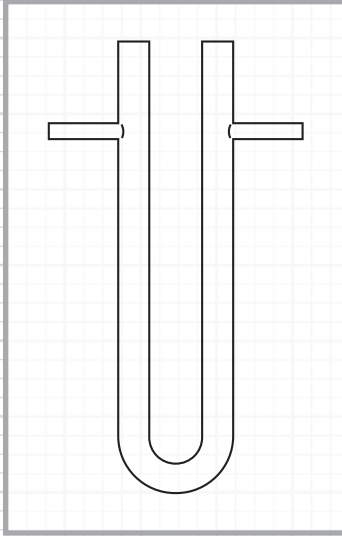
Code	Diameter (mm)	Length (mm)	Drawing	Packing (pcs)
632 449 959 921	8	200	4492	20
632 449 959 922	8	400	4492	20
632 449 959 923	8	600	4492	20
632 449 959 924	8	800	4492	20
632 449 959 925	8	1000	4492	20
632 449 959 926	8	1500	4492	20
632 449 959 927	12	200	4493	20
632 449 959 928	12	400	4493	20
632 449 959 929	12	600	4493	20
632 449 959 930	12	800	4493	20
632 449 959 931	12	1000	4493	20
632 449 959 932	12	1500	4493	20



Notice: Borosilicate glass

U-TUBES • FERMENTING COCK

U - TUBE WITH TWO SIDE ARMS

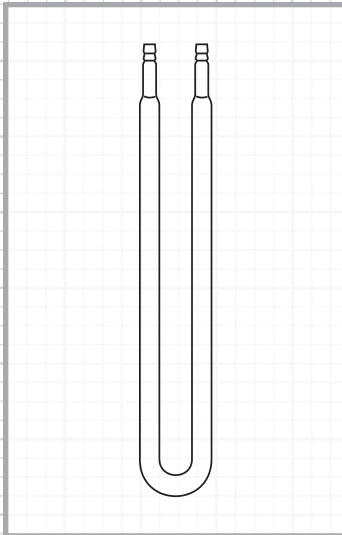


U - Röhre mit zwei Seitenröhren
U trubice se dvěma bočními trubicemi

Code	Tube diameter (mm)	Side arm diameter (mm)	Length (mm)	Drawing	Packing (pcs)
632 443 807 100	10	6	80	4327	20
632 443 807 120	12	6	100	4328	20
632 443 807 121	12	6	120	4329	20
632 443 807 140	14	8	120	4330	20
632 443 807 160	16	8	150	4331	20
632 443 807 180	18	8	150	4332	20

Notice: Borosilicate glass

U - TUBE WITH HOSE CONNECTION

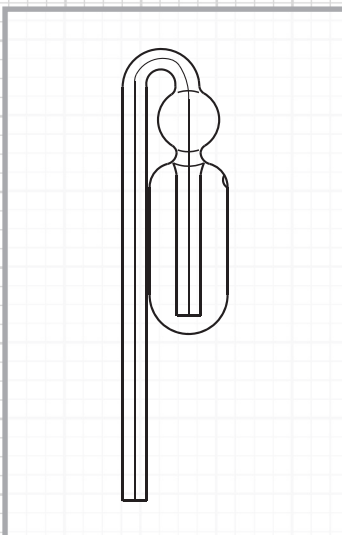


U - Röhre mit zwei Oliven
U trubice se dvěma olivkami

Code	Tube diameter (mm)	Length (mm)	Drawing	Packing (pcs)
632 443 816 091	9	395	3881	20

Notice: Borosilicate glass

FERMENTING COCK



Gärstopfen
Kvasná zátka

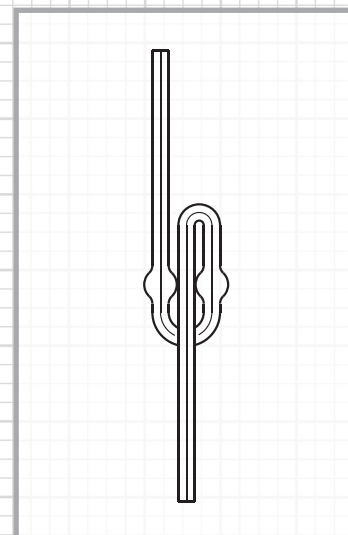
Code	Length (mm)	Drawing	Packing (pcs)
632 444 664 002	150	5500	20

Notice: Borosilicate glass

THISTLE FUNNEL

Gärröhre
Kvasná rourka

Code	Length (mm)	Drawing	Packing (pcs)
632 444 664 001	220	3276/1	20

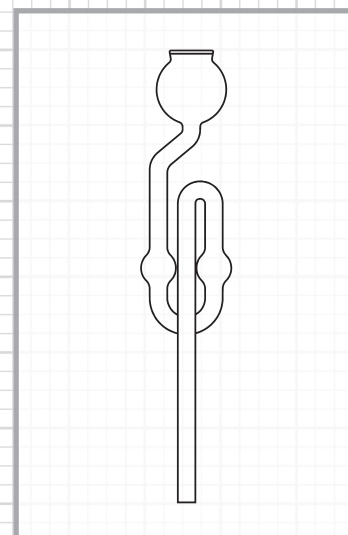


Notice: Borosilicate glass

THISTLE FUNNEL

Gärröhre
Kvasná rourka

Code	Length (mm)	Drawing	Packing (pcs)
632 444 664 000	205	3276	20

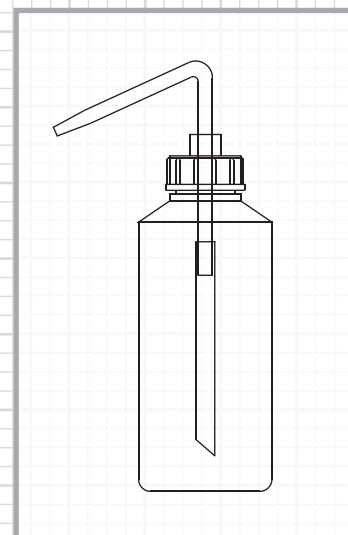


Notice: Borosilicate glass

WASH BOTTLE WITH GLASS TIP

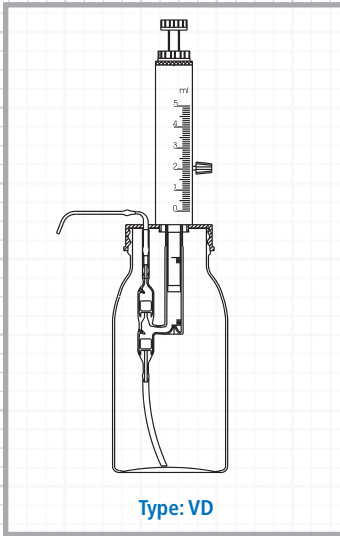
Spritzflasche mit Glas Spitze
Stříčka se skleněnou výtokovou trubicí

Code	Capacity (ml)	Drawing	Packing (pcs)
632 524 325 025	250	1019.1	1
632 524 325 050	500	1020.1	1



Notice: Bottle - PE ; Tip - soda-lime glass

DISPENSER PISTON VALVE DOSING DEVICE FOR SMALL VOLUMES OF LIQUIDS - VD

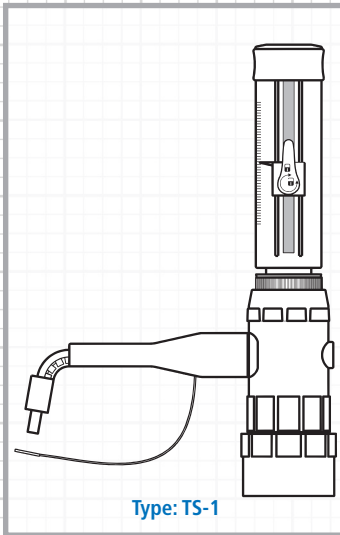


Kolbenventildosierer für kleinen Flüssigkeitsvolumen - VD
Pistoventilový dávkovač malých objemů VD

Code	Volume range (ml)	Increment (ml)	Accuracy		CV		Drawing	Packing (pcs)
			± %	± ml	± %	± ml		
632 439 110 005	0,15 - 0,50	0.02	1.5	0.008	0.6	0.003	3834 S	1
632 439 110 020	0,5 - 2	0.05	1.0	0.020	0.4	0.008	3835 S	1
632 439 110 050	2 - 5	0.10	1.0	0.050	0.3	0.015	1512 S	1
632 439 110 100	3 - 10	0.20	1.0	0.100	0.3	0.030	3836 S	1

Notice: Borosilicate glass + PTFE piston

BOTTLE TOP DISPENSER TS-1

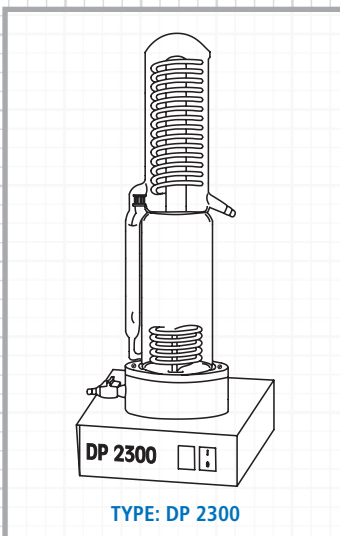


Dosiereinrichtung TS-1
Dávkovač TS-1

Code	Volume range (ml)	Increment (ml)	Accuracy		CV		Drawing	Packing (pcs)
			± %	± ml	± %	± ml		
632 439 000 002	0,25 - 2,5	0.05	0.6	0.015	0.3	0.007	5483	1
632 439 000 005	0,5 - 5	0.1	0.5	0.025	0.2	0.01	5484	1
632 439 000 010	1 - 10	0.2	0.5	0.050	0.2	0.02	5485	1
632 439 000 030	2,5 - 30	0.5	0.5	0.150	0.2	0.06	5486	1
632 439 000 060	5 - 60	1.0	0.5	0.300	0.2	0.12	5487	1
632 439 000 100	10 - 100	2.0	0.5	0.500	0.2	0.20	5488	1

Notice: Borosilicate glass + PTFE piston

WATER STILL DP 2 300



Wasserdstillierapparat DP 2 300
Destilační přístroj DP 2 300

Code	632 445 000 105
Drawing	1356
Distilled output	2,3 L/h
Power consumption	1 500 W
Water consumption	36 Litre/hour
Mains Voltage	230 V / 50 Hz
Rated current	6,5 A
Conductivity of dist. (25 °C)	1,5 - 2,5 µS/cm ¹
Depth	190 mm
Width	190 mm
Height	600 mm
Packing quantity	1 pcs.

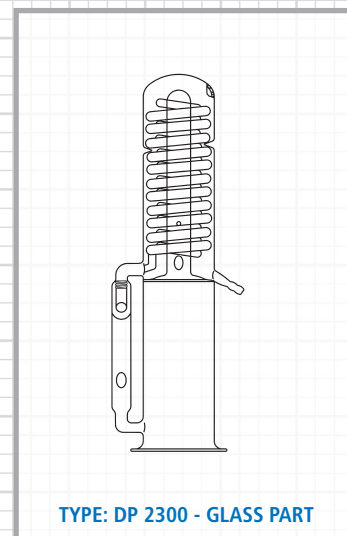
Notice: Borosilicate glass

WATER STILL DP 2 300 - GLASS PART ONLY

Wasserdestillierapparat DP 2 300 - Glasteil
 Destilační přístroj DP 2 300 - pouze skleněná část

Code	632 445 000 101
Drawing	1356/2
Depth	105 mm
Width	160 mm
Height	470 mm
Packing quantity	1 pcs.

Notice: Borosilicate glass

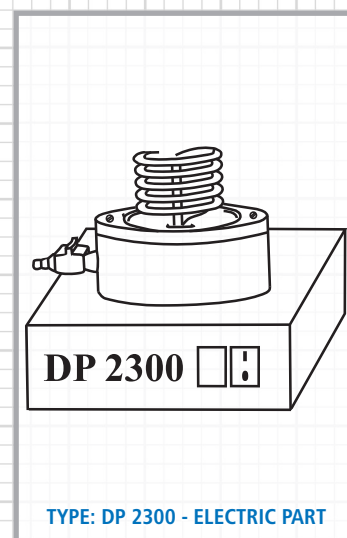


TYPE: DP 2300 - GLASS PART

WATER STILL DP 2 300 - ELECTRIC PART ONLY

Wasserdestillierapparat DP 2 300 - elektrische Teil
 Destilační přístroj DP 2 300 - pouze elektrická část

Code	632 445 000 123
Power consumption	1 500 W
Mains Voltage	230 V / 50 Hz
Rated current	6,5 A
Packing quantity	1 pcs.



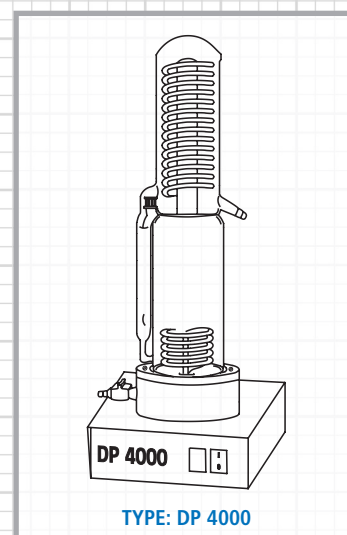
TYPE: DP 2300 - ELECTRIC PART

WATER STILL DP 4 000

Wasserdestillierapparat DP 4 000
 Destilační přístroj DP 4 000

Code	632 445 100 105
Drawing	2967
Distilled output	4,0 L/h
Power consumption	3 100 W
Water consumption	45 Litre/hour
Mains Voltage	230 V / 50 Hz
Rated current	14 A
Conductivity of dist. (25 °C)	1,5 - 2,5 µScm ⁻¹
Depth	190 mm
Width	190 mm
Height	660 mm
Packing quantity	1 pcs.

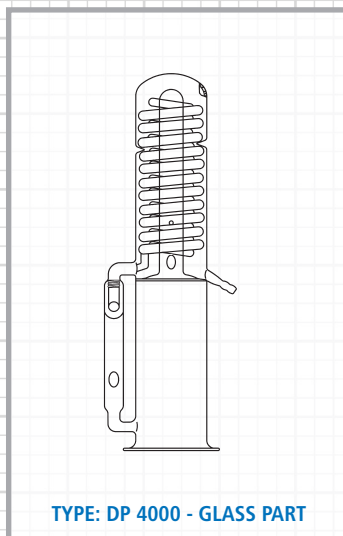
Notice: Borosilicate glass



TYPE: DP 4000

WATER STILLS • WOULF BOTTLE

WATER STILL DP 4 000 GLASS PART ONLY

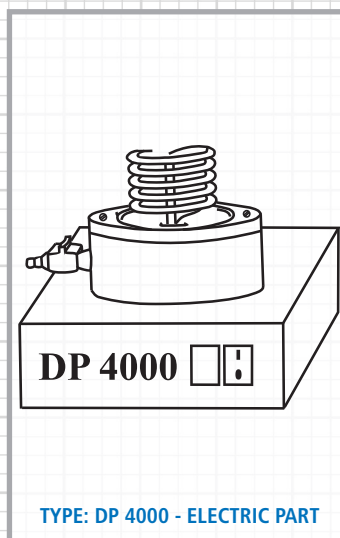


Wasserdestillierapparat DP 4 000 - Glasteil
Destilační přístroj DP 4 000 - pouze skleněná část

Code	632 445 100 101
Drawing	2967/2
Depth	130 mm
Width	200 mm
Height	530 mm
Packing quantity	1 pcs.

Notice: Borosilicate glass

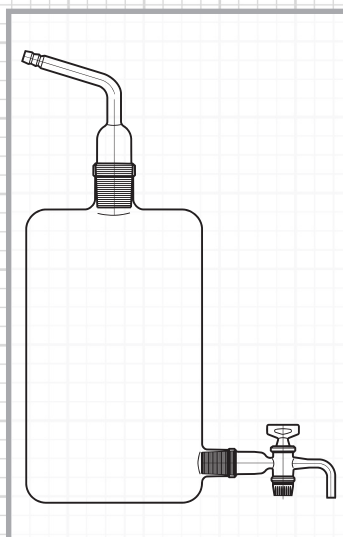
WATER STILL DP 4000 - ELECTRIC PART ONLY



Wasserdestillierapparat DP 4000 - elektrische Teil
Destilační přístroj DP 4000 - pouze elektrická část

Code	632 445 000 140
Power consumption	3 100 W
Mains Voltage	230 V / 50 Hz
Rated current	14 A
Packing quantity	1 pcs.

WOULF BOTTLE WITH NECK AND OUTLET + STOPCOCK AND CONNECTING TUBE



Flasche nach Woulf mit Hals und Bodentubus + Hahn und Verbindungsrohr
Lahev dle Woulfa s hrdlem a výpustí + kohout a spojovací trubička

Code	Capacity(ml)	Top part SJ	Bottom part SJ	Drawing	Packing (pcs)
632 445 000 102	2000	29/32	19/26	4520	1

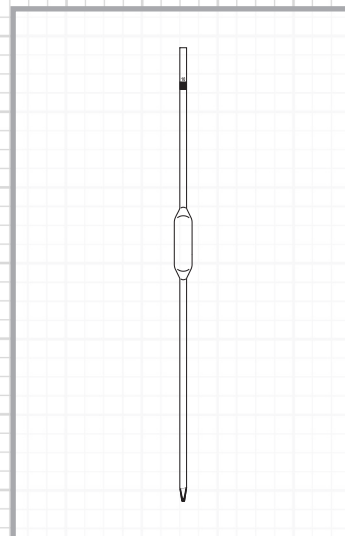
Notice: Borosilicate glass

PIPETTE TRANSFER, BLANK, ENLARGED FORM, WITH COLOR CODE

Vollpipette, erweiterte Ausführung, mit COLOR CODE

Pipeta nedělená, surová, rozšířené provedení, s COLOR CODE

Code	Capacity (ml)	Color code	Drawing	Packing (pcs)
632 433 001 014	1	blue	1834.1	50
632 433 001 016	2	orange	1738/a	50
632 433 001 018	5	white	1740/a	25
632 433 001 019	10	red	1741/a	25
632 433 001 022	20	yellow	1743/a	10
632 433 001 023	25	blue	1744/a	10
632 433 001 025	50	red	1747/a	1
632 433 001 030	100	yellow	1749/a	1



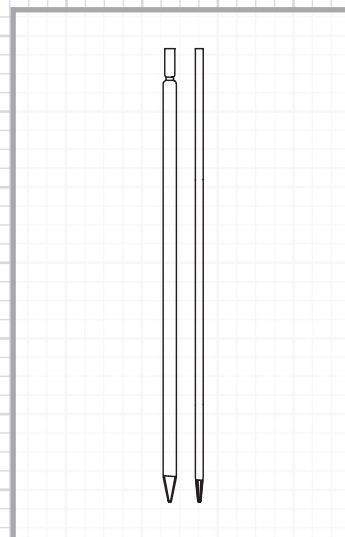
Notice: Soda-lime glass, Semiproducts of pipettes are produced according to ISO standards

PIPETTE GRADUATED, BLANK, NO PRINTING

Meßpipette, ohne Bedruck

Pipeta dělená, surová, bez potisku

Code	Capacity (ml)	Drawing	Packing (pcs)
632 434 000 337	1	1670.1	50
632 434 000 339	2	1671.1	50
632 434 000 341	5	1672	50
632 434 000 343	10	1673	50
632 434 000 345	20	1674.1	50
632 434 000 347	25	1675.1	25
632 434 000 349	50	1676.1	5
632 434 000 351	100	1677.1	5



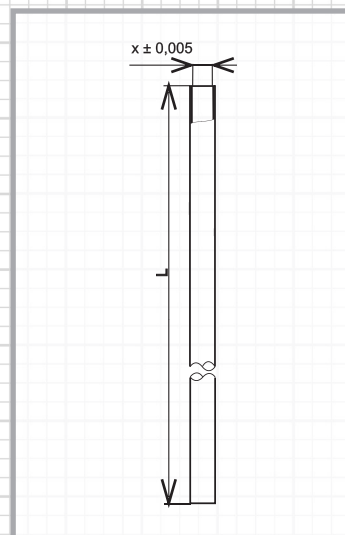
Notice: Soda-lime glass, Semiproducts of pipettes are produced according to ISO standards

BURETTE TUBE WITHOUT PRINTING, CLASS AS

Bürettenröhre ohne Bedruck, Klasse AS

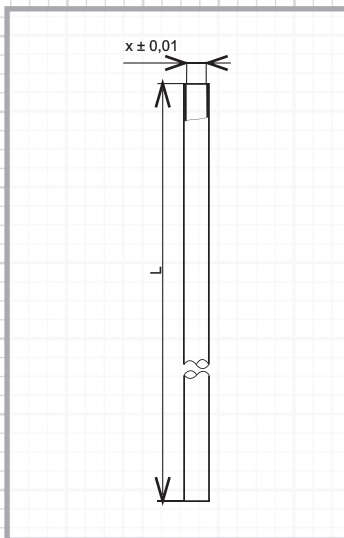
Byretová tyč bez potisku, třída AS

Code	Capacity (ml)	Subdivision (ml)	Total length (mm)	Drawing	Packing (pcs)
632 435 960 518	5	0.02	435 ± 10	4455	25
632 435 960 719	10	0.1	500 ± 10	1578.1	25
632 435 960 619	10	0.05	500 ± 10	1579.1	25
632 435 960 519	10	0.02	660 ± 10	1580.1	25
632 435 911 519	10	0.02	700 ± 10	2568	25
632 435 960 723	25	0.1	510 ± 10	1581.1	25
632 435 960 623	25	0.05	660 ± 10	1582.1	25
632 435 911 623	25	0.05	700 ± 10	2569	25
632 435 960 725	50	0.1	660 ± 10	1583.1	10
632 435 911 725	50	0.1	700 ± 10	2570	10
632 435 960 831	100	0.2	700 ± 10	2721	10



Notice: Borosilicate glass

BURETTE TUBE WITHOUT PRINTING, CLASS B

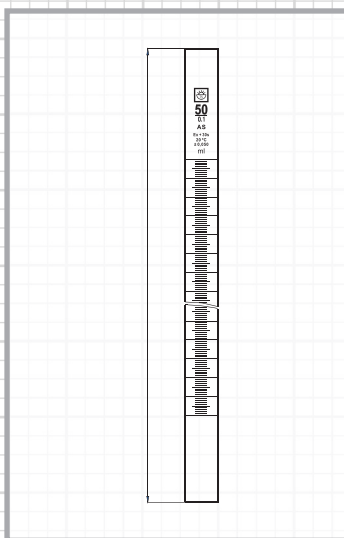


Bürettenröhre ohne Bedruck, Klasse B
Byreťová tyč bez potisku, třída B

Code	Capacity (ml)	Subdivision (ml)	Total length (mm)	Drawing	Packing (pcs)
632 435 959 518	5	0.02	435 ± 10	4456	25
632 435 959 719	10	0.1	500 ± 10	3086	25
632 435 959 619	10	0.05	500 ± 10	3087	25
632 435 959 519	10	0.02	660 ± 10	3088	25
632 435 959 723	25	0.1	510 ± 10	3089	25
632 435 959 623	25	0.05	660 ± 10	3090	25
632 435 959 725	50	0.1	660 ± 10	2959	10
632 435 959 831	100	0.2	700 ± 10	3072	10

Notice: Borosilicate glass

BURETTE TUBE WITH PRINTING, CLASS AS

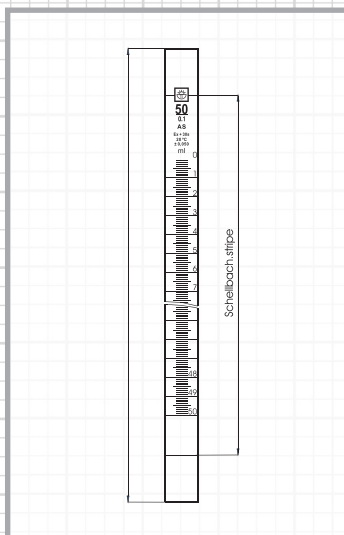


Bürettenröhre mit Bedruck, Klasse AS
Byreťová tyč s potiskem, třída AS

Code	Capacity (ml)	Subdivision (ml)	Total length (mm)	Drawing	Packing (pcs)
632 435 980 314	1	0.01	315 ± 10	4225	25
632 435 980 316	2	0.01	375 ± 10	4226	25
632 435 980 517	3	0.02	435 ± 10	4227	25
632 435 980 518	5	0.02	435 ± 10	4228	25
632 435 980 719	10	0.1	500 ± 10	1595.1	25
632 435 980 619	10	0.05	500 ± 10	1596.1	25
632 435 980 519	10	0.02	660 ± 10	1597.1	25
632 435 980 723	25	0.1	510 ± 10	1598.1	25
632 435 980 623	25	0.05	660 ± 10	1599.1	25
632 435 980 725	50	0.1	660 ± 10	1600.1	10
632 435 980 831	100	0.2	700 ± 10	2768.1	10

Notice: Borosilicate glass

BURETTE TUBE WITH PRINTING, WITH SCHELLBACH STRIPE, CLASS AS



Bürettenröhre mit Bedruck, mit Schellbach-Streifen, Klasse AS
Byreťová tyč s potiskem, se Schellbachovým pruhem, třída AS

Code	Capacity (ml)	Subdivision (ml)	Total length (mm)	Drawing	Packing (pcs)
632 435 999 314	1	0.01	315 ± 10	4229	25
632 435 999 316	2	0.01	375 ± 10	4230	25
632 435 999 517	3	0.02	435 ± 10	4231	25
632 435 999 518	5	0.02	435 ± 10	4232	25
632 435 999 719	10	0.1	500 ± 10	1601.1	25
632 435 999 619	10	0.05	500 ± 10	1602.1	25
632 435 999 519	10	0.02	660 ± 10	3019	25
632 435 999 723	25	0.1	510 ± 10	1603.1	25
632 435 999 623	25	0.05	660 ± 10	1604.1	25
632 435 999 725	50	0.1	660 ± 10	1605.1	10
632 435 999 831	100	0.2	700 ± 10	2769.1	10

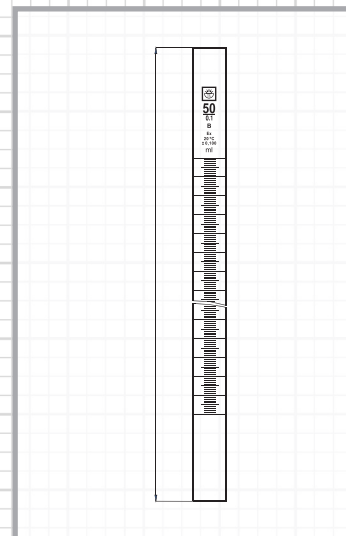
Notice: Borosilicate glass

BURETTE TUBE WITH PRINTING, CLASS B

Bürettenröhre mit Bedruck, Klasse B

Byretová tyč s potiskem, třída B

Code	Capacity (ml)	Subdivision (ml)	Total length (mm)	Drawing	Packing (pcs)
632 435 970 518	5	0.02	435 ± 10	4540	25
632 435 970 719	10	0.1	500 ± 10	1584.1	25
632 435 970 619	10	0.05	500 ± 10	1585.1	25
632 435 970 519	10	0.02	660 ± 10	1586.1	25
632 435 970 723	25	0.1	510 ± 10	1587.1	25
632 435 970 623	25	0.05	660 ± 10	1588.1	25
632 435 970 725	50	0.1	660 ± 10	1589.1	10
632 435 970 831	100	0.2	700 ± 10	2770.1	10



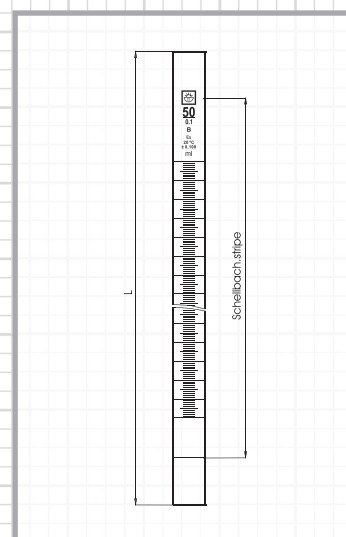
Notice: Borosilicate glass

BURETTE TUBE WITH PRINTING, WITH SCHELLBACH STRIPE, CLASS B

Bürettenröhre mit Bedruck, mit Schellbach-Streifen, Klasse B

Byretová tyč s potiskem, se Schellbachovým pruhem, třída B

Code	Capacity (ml)	Subdivision (ml)	Total length (mm)	Drawing	Packing (pcs)
632 435 990 518	5	0.02	435 ± 10	4454	25
632 435 990 719	10	0.1	500 ± 10	1590.1	25
632 435 990 619	10	0.05	500 ± 10	1591.1	25
632 435 990 519	10	0.02	660 ± 10	3023	25
632 435 990 723	25	0.1	510 ± 10	1592.1	25
632 435 990 623	25	0.05	660 ± 10	1593.1	25
632 435 990 725	50	0.1	660 ± 10	1594.1	10
632 435 990 831	100	0.2	700 ± 10	2771.1	10



Notice: Borosilicate glass

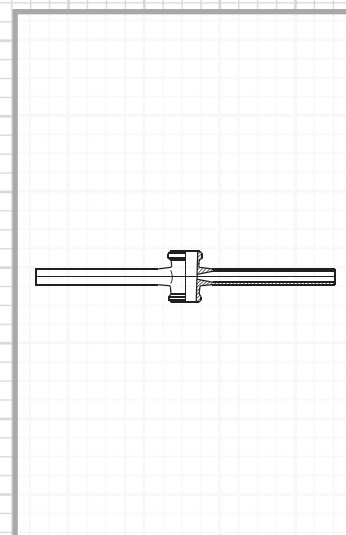
SINGLE WAY STOPCOCK GROUNDED - WITHOUT KEY

Einweghahn geschliffen - ohne Küken

Kohout jednocestný broušený - bez kladívka

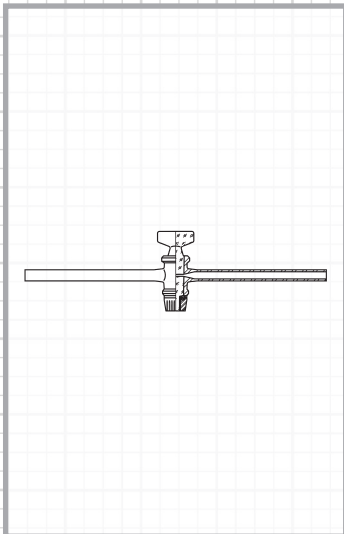
DIN 12540-1

Code	SJ	Type diam (mm)	Boring (mm)	Drawing	Packing (pcs)
632 441 340 030	12,5	tube 8/1,5 + capillary 7/2,5	2,5	4083/1	1
632 441 340 031	12,5	tube 8/1,5 + tube 8/1,5	2,5	4083	1
632 441 340 033	12,5	tube 9/1,5 + tube 9/1,5	2,5	4083/2	1
632 441 340 032	12,5	capillary 7/2,5 + capillary 7/2,5	2,5	4083/3	1
632 441 355 271	14,5	tube 9/1,5 + tube 9/1,5	2,5	4084	1
632 441 355 277	14,5	tube 10/1,5 + tube 10/1,5	2,5	4085/1	1
632 441 355 269	14,5	tube 10/1,5 + tube 10/1,5	4,0	4085	1
632 441 340 061	14,5	tube 13/2,2 + tube 13/2,2	2,5	4084/1	1
632 441 330 005	18,8	tube 10/1,5 + tube 10/1,5	4,0	5146/3	1
632 441 330 007	18,8	tube 13/1,5 + tube 13/1,5	4,0	5146/2	1
632 441 330 001	18,8	tube 13/1,5 + tube 13/1,5	6,0	5146/1	1



Notice: Borosilicate glass

SINGLE WAY STOPCOCK - COMPLETE WITH GLASS KEY



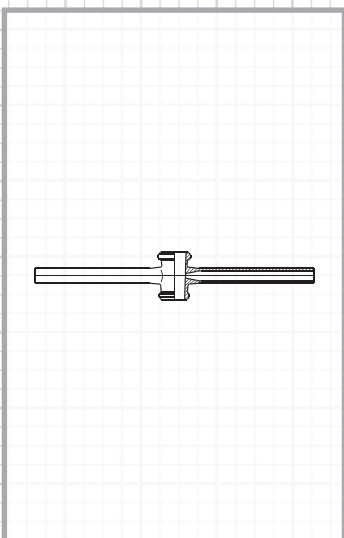
Einweghahn komplett mit Glas-Küken
Kohout jednocestný kompletní se skleněným kladívkem

DIN 12540-1

Code	SJ	Type diam (mm)	Boring (mm)	Drawing	Packing (pcs)
632 441 355 231	12.5	tube 8/1.5 + capillary 7/2.5	2.5	2005.1	1
632 441 355 232	12.5	tube 8/1.5 + tube 8/1.5	2.5	2137.1	1
632 441 355 235	12.5	tube 9/1.5 + tube 9/1.5	2.5	3851	1
632 441 355 233	12.5	capillary 7/2.5 + capillary 7/2.5	2.5	2139.1	1
632 441 355 270	14.5	tube 9/1.5 + tube 9/1.5	2.5	2484.2	1
632 441 355 275	14.5	tube 10/1.5 + tube 10/1.5	2.5	2847.1	1
632 441 355 276	14.5	tube 10/1.5 + tube 10/1.5	4.0	2847/1	1
632 441 340 060	14.5	tube 13/2.2 + tube 13/2.2	2.5	2772	1
632 441 330 000	18.8	tube 10/1.5 + tube 10/1.5	4.0	3110	1
632 441 330 002	18.8	tube 13/1.5 + tube 13/1.5	4.0	4502	1
632 441 330 003	18.8	tube 13/1.5 + tube 13/1.5	6.0	5146	1

Notice: Borosilicate glass

SINGLE WAY STOPCOCK POLISHED - WITHOUT KEY



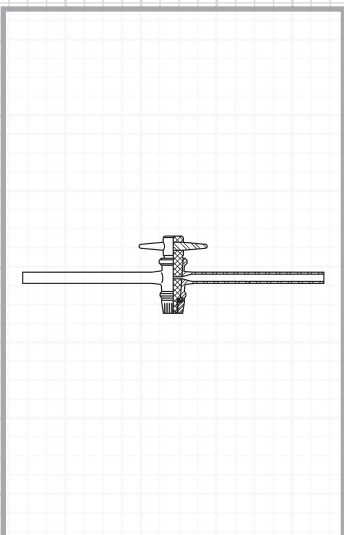
Einweghahn poliert - ohne Küken
Kohout jednocestný leštěný - bez kladívka

DIN 12540-1

Code	SJ	Type diam (mm)	Boring (mm)	Drawing	Packing (pcs)
632 441 355 225	12.5	tube 8/1,5 + capillary 7/2,5	2,5	5050/1	1
632 441 355 226	12.5	tube 8/1,5 + tube 8/1,5	2,5	5050	1
632 441 355 228	12.5	tube 9/1,5 + tube 9/1,5	2,5	5051	1
632 441 355 227	12.5	capillary 7/2,5 + capillary 7/2,5	2,5	5051/1	1
632 441 355 281	14,5	tube 9/1,5 + tube 9/1,5	2,5	5120	1
632 441 355 287	14,5	tube 10/1,5 + tube 10/1,5	2,5	5049	1
632 441 355 293	14,5	tube 10/1,5 + tube 10/1,5	4,0	5049/1	1
632 441 340 051	14,5	tube 13/2,2 + tube 13/2,2	2,5	5049/2	1
632 441 330 099	18,8	tube 10/1,5 + tube 10/1,5	4,0	3109/1	1
632 441 330 096	18,8	tube 13/1,5 + tube 13/1,5	4,0	4000/2	1
632 441 330 098	18,8	tube 13/1,5 + tube 13/1,5	6,0	4000/1	1

Notice: Borosilicate glass

SINGLE WAY STOPCOCK - COMPLETE WITH PTFE KEY



Einweghahn komplett mit PTFE-Küken
Kohout jednocestný kompletní s teflonovým kladívkem

DIN 12540-1

Code	SJ	Type diam (mm)	Boring (mm)	Drawing	Packing (pcs)
632 441 355 217	12.5	tube 8/1.5 + capillary 7/2.5	2.5	2125.1	1
632 441 355 218	12.5	tube 8/1.5 + tube 8/1.5	2.5	2138.1	1
632 441 355 220	12.5	tube 9/1.5 + tube 9/1.5	2.5	3852	1
632 441 355 219	12.5	capillary 7/2.5 + capillary 7/2.5	2.5	2140.1	1
632 441 355 280	14.5	tube 9/1.5 + tube 9/1.5	2.5	2486.1	1
632 441 355 290	14.5	tube 10/1.5 + tube 10/1.5	2.5	2848	1
632 441 355 292	14.5	tube 10/1.5 + tube 10/1.5	4.0	2848/1	1
632 441 340 050	14.5	tube 13/2.2 + tube 13/2.2	2.5	2773	1
632 441 330 100	18.8	tube 10/1.5 + tube 10/1.5	4.0	3109	1
632 441 330 101	18.8	tube 13/1.5 + tube 13/1.5	4.0	4503	1
632 441 330 106	18.8	tube 13/1.5 + tube 13/1.5	6.0	4000	1

Notice: Borosilicate glass

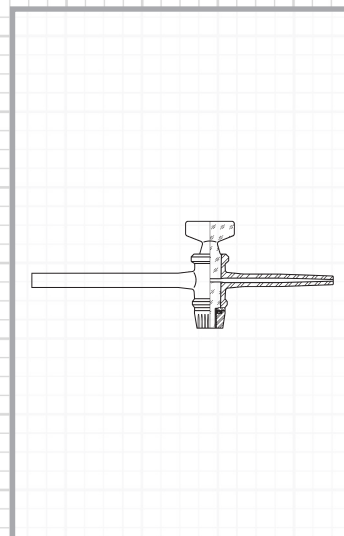
BURETTE STOPCOCK COMPLETE WITH GLASS KEY, WITH TIP, CLASS AS

Bürettenhahn komplett mit Glas-Küken, mit Spitze, Klasse AS

Byreťový kohout jednocestný kompletní se skleněným kladívkem, se špičkou, třída AS

Code	SJ	Type diameter (mm)	∅ Tip (mm)	Size of burette	Drawing	Packing (pcs)
632 441 355 351	12.5	tube 8/1.5 + capillary 7/2.5	0,35 - 0,40	10 ml (0,05)	2977	1
632 441 355 354	12.5	tube 8/1.5 + capillary 7/2.5	0,30 - 0,35	10 ml (0,02)	2977/a	1
632 441 355 355	12.5	tube 8/1.5 + capillary 7/2.5	0,55 - 0,60	25 ml (0,05)	2978	1
632 441 355 352	12.5	tube 8/1.5 + capillary 7/2.5	0,60 - 0,65	25 ml (0,1)	2978/a	1
632 441 355 353	12.5	tube 8/1.5 + capillary 7/2.5	0,75 - 0,80	50 ml (0,1)	2979	1
633 441 355 356	12.5	tube 8/1.5 + capillary 7/2.5	1,10 - 1,20	100 ml (0,2)	2980	1

Notice: Borosilicate glass

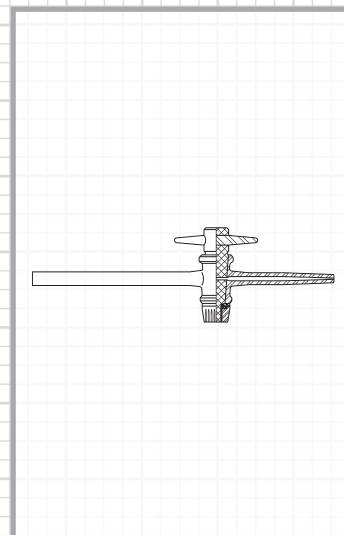
**BURETTE STOPCOCK COMPLETE WITH PTFE KEY, WITH TIP, CLASS AS**

Bürettenhahn komplett mit PTFE-Küken, mit Spitze, Klasse AS

Byreťový kohout jednocestný kompletní s teflonovým kladívkem, se špičkou, třída AS

Code	SJ	Type diameter (mm)	∅ Tip (mm)	Size of burette	Drawing	Packing (pcs)
632 441 355 361	12.5	tube 8/1.5 + capillary 7/2.5	0,35 - 0,40	10 ml (0,05)	2981	1
632 441 355 364	12.5	tube 8/1.5 + capillary 7/2.5	0,30 - 0,35	10 ml (0,02)	2981/a	1
632 441 355 365	12.5	tube 8/1.5 + capillary 7/2.5	0,55 - 0,60	25 ml (0,05)	2982	1
632 441 355 362	12.5	tube 8/1.5 + capillary 7/2.5	0,60 - 0,65	25 ml (0,1)	2982/a	1
632 441 355 363	12.5	tube 8/1.5 + capillary 7/2.5	0,75 - 0,80	50 ml (0,1)	2983	1
633 441 355 366	12.5	tube 8/1.5 + capillary 7/2.5	1,10 - 1,20	100 ml (0,2)	2984	1

Notice: Borosilicate glass

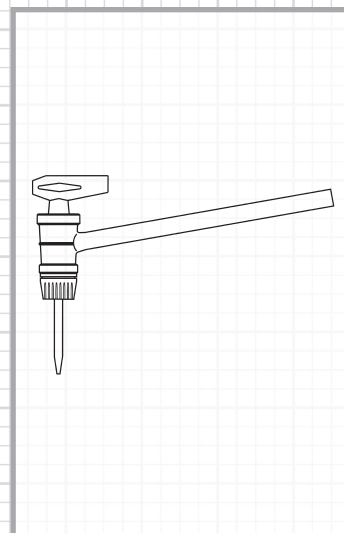
**LATERAL STOPCOCK WITH LATERAL GLASS KEY AND TIP**

Bürettenhahn, seitlich, mit seitlichem Glas-Küken und Spitze

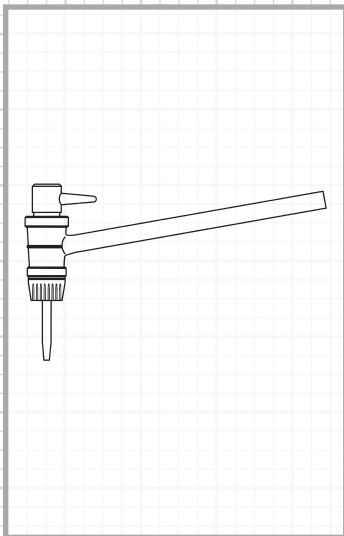
Kohout jednocestný kompletní, boční, s bočním skleněným kladívkem a špičkou

Code	SJ	Type diam (mm)	∅ Tip (mm)	Drawing	Packing (pcs)
632 441 360 346	12.5	Tube 8/1.5	0,30 - 0,35	2669	1
632 441 360 347	12.5	Tube 8/1.5	0,35 - 0,40	2669	1
632 441 360 348	12.5	Tube 8/1.5	0,60 - 0,65	2669	1
632 441 360 349	12.5	Tube 8/1.5	0,55 - 0,60	2669	1
632 441 360 350	12.5	Tube 8/1.5	0,80 - 0,85	2669	1
632 441 360 351	12.5	Tube 8/1.5	1,10 - 1,20	2669	1

Notice: Borosilicate glass



LATERAL STOPCOCK WITH LATERAL PTFE KEY AND TIP

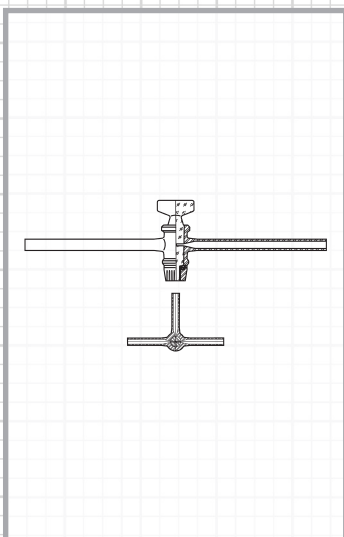


Bürettenhahn, seitlich, mit seitlichem PTFE-Küken und Spitze
 Kohout jednocestný kompletní, boční, s bočním teflonovým kladívkem a špičkou

Code	SJ	Type diam (mm)	Ø Tip (mm)	Drawing	Packing (pcs)
632 441 350 065	12.5	Tube 8/1.5	1.5	2670	1

Notice: Borosilicate glass

3 - WAY STOPCOCK, COMPLETE WITH GLASS KEY, T - BORE

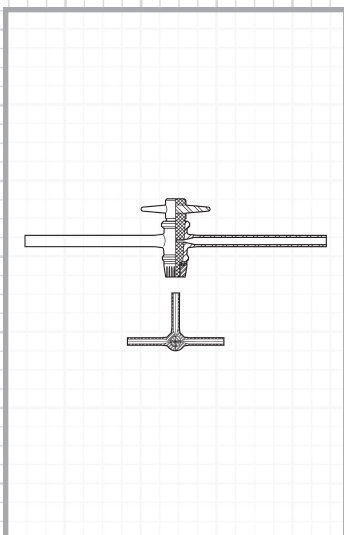


Dreiweghahn, komplett mit Glas-Küken, T - Bohrung
 Kohout trojcestný kompletní se skleněným kladívkem, T - vrtání

Code	SJ	Type diam (mm)	Drawing	Packing (pcs)	DIN 12540-1
632 441 357 100	12.5	Tube 8/1.5	2851	1	
632 441 357 200	14.5	Tube 9/1.5	2852	1	

Notice: Borosilicate glass

3 - WAY STOPCOCK, COMPLETE WITH PTFE KEY, T - BORE



Dreiweghahn, komplett mit PTFE-Küken, T - Bohrung
 Kohout trojcestný kompletní s teflonovým kladívkem, T - vrtání

Code	SJ	Type diam (mm)	Drawing	Packing (pcs)	DIN 12540-1
632 441 357 150	12.5	Tube 8/1.5	2849	1	
632 441 357 250	14.5	Tube 9/1.5	2850	1	

Notice: Borosilicate glass

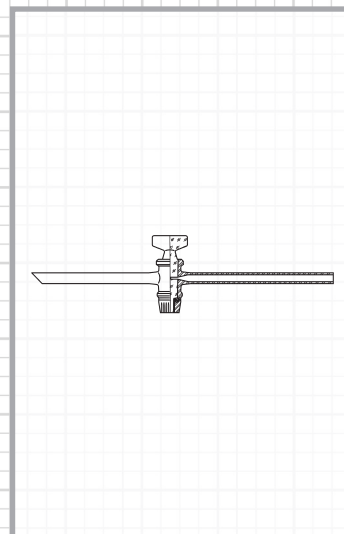
SINGLE WAY STOPCOCK FOR SEPARATORY FUNNELS - COMPLETE WITH GLASS KEY

Einweghahn für Scheidetrichter - komplett mit Glas-Küken

Kohout jednocestný pro dělicí nálevky - kompletní se skleněným kladívkem

Code	SJ	Type diam (mm)	Drawing	Packing (pcs)
632 441 355 230	12.5	tube 8/1.5 + tube 8/1.5	3152	1
632 441 355 274	14.5	tube 10/1.5 + tube 10/1.5	3153	1

Notice: Borosilicate glass

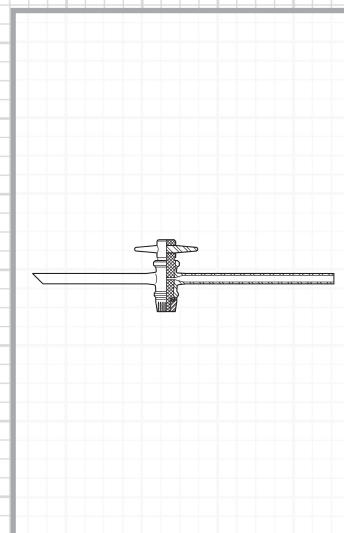
**SINGLE WAY STOPCOCK FOR SEPARATORY FUNNELS - COMPLETE WITH PTFE KEY**

Einweghahn für Scheidetrichter - komplett mit PTFE-Küken

Kohout jednocestný pro dělicí nálevky - kompletní s teflonovým kladívkem

Code	SJ	Type diam (mm)	Drawing	Packing (pcs)
632 441 355 216	12.5	tube 8/1.5 + tube 8/1.5	3150	1
632 441 355 291	14.5	tube 10/1.5 + tube 10/1.5	3151	1

Notice: Borosilicate glass

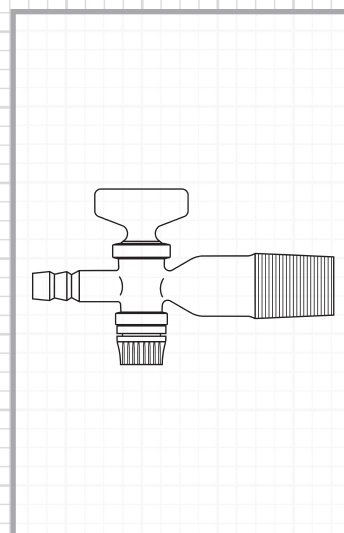
**SINGLE WAY STOPCOCK WITH SJ AND STRAIGHT HOSE CONNECTION, WITH GLASS KEY, 14,5 MM**

Einweghahn mit Schliff und gerader Olive, mit Glas-Küken, 14,5 mm

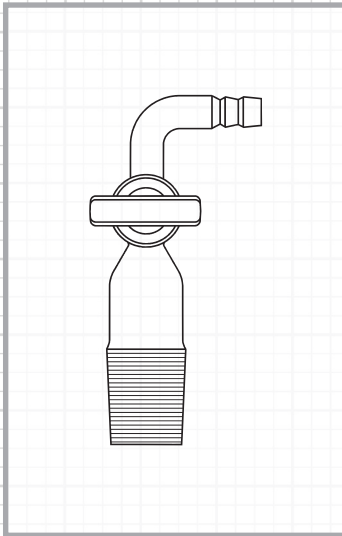
Kohout jednocestný kompletní se zábrusem a rovnou olivkou, se skleněným kladívkem 14,5 mm

Code	SJ	Hose connection - Ø (mm)	Cone SJ	Drawing	Packing (pcs)
632 441 516 050	14.5	10	14/23	3074	1
632 441 516 060	14.5	10	19/26	3075	1
633 441 516 070	14.5	10	24/29	3076	1
632 441 516 080	14.5	10	29/32	3077	1

Notice: Borosilicate glass



SINGLE WAY STOPCOCK WITH SJ AND BENDED HOSE CONNECTION, WITH GLASS KEY, 14,5 MM

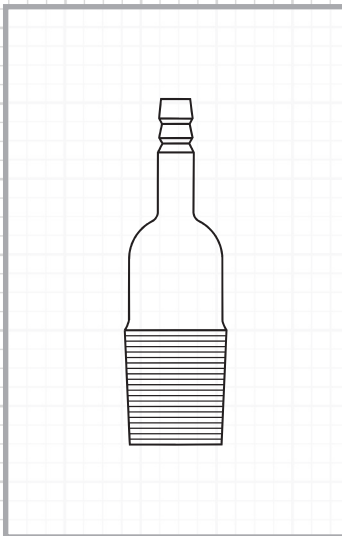


Einweghahn mit Schliff und gebogener Olive, mit Glas-Küken, 14,5 mm
Kohout jednocestný kompletní se zábrusem a zahnutou olivkou, se skleněným kladívkem 14,5 mm

Code	SJ	Hose connection - Ø (mm)	Cone SJ	Drawing	Packing (pcs)
632 441 515 050	14.5	10	14/23	3078	1
632 441 515 060	14.5	10	19/26	3079	1
633 441 515 070	14.5	10	24/29	3080	1
632 441 515 080	14.5	10	29/32	3081	1

Notice: Borosilicate glass

STANDARD JOINT WITH STRAIGHT HOSE CONNECTION

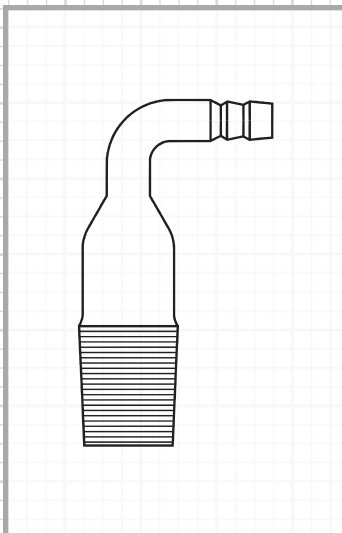


Schliff mit gerader Olive
Zábrus s rovnou olivkou

Code	Hose connection - Ø (mm)	Cone SJ	Drawing	Packing (pcs)
632 449 902 122	10	14/23	3786	1
632 449 902 123	10	19/26	3787	1
632 449 902 124	10	24/29	3788	1
632 449 902 125	10	29/32	3789	1

Notice: Borosilicate glass

STANDARD JOINT WITH BENDED HOSE CONNECTION



Schliff mit gebogener Olive
Zábrus se zahnutou olivkou

Code	Hose connection - Ø (mm)	Cone SJ	Drawing	Packing (pcs)
632 449 902 126	10	14/23	3790	1
632 449 902 127	10	19/26	3791	1
632 449 902 128	10	24/29	3792	1
632 449 902 129	10	29/32	3793	1

Notice: Borosilicate glass

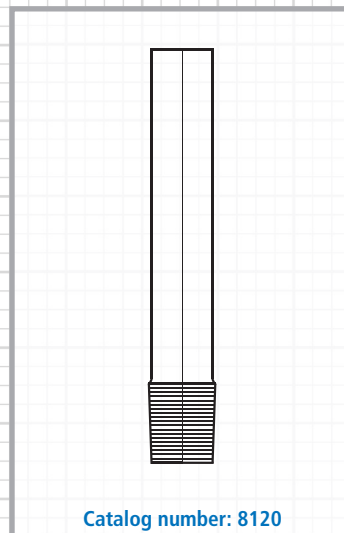
STANDARD JOINT, CONE - SJ

Normschliff, Kern - NS

Zábrus normalizovaný - jádro - NZ

Code	SJ	Tube diameter (mm)	Length (mm)	Drawing	Packing (pcs)
632 441 503 050	14/23	13	120	3205	10
632 441 503 060	19/26	17	150	3205	10
632 441 503 070	24/29	22	150	3205	10
632 441 503 080	29/32	26	150	3205	10

Notice: Borosilicate glass



Catalog number: 8120

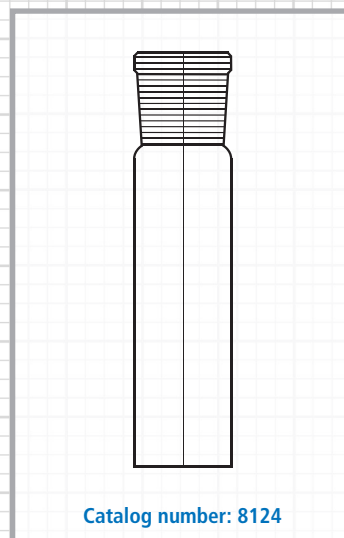
STANDARD JOINT, SOCKET - SJ

Normschliff, Hülse - NS

Zábrus normalizovaný - plášť - NZ

Code	SJ	Tube diameter (mm)	Length (mm)	Drawing	Packing (pcs)
632 441 512 050	14/23	18	120	3208	10
632 441 512 060	19/26	22	150	3208	10
632 441 512 070	24/29	28	150	3208	10
632 441 512 080	29/32	34	150	3208	10

Notice: Borosilicate glass



Catalog number: 8124

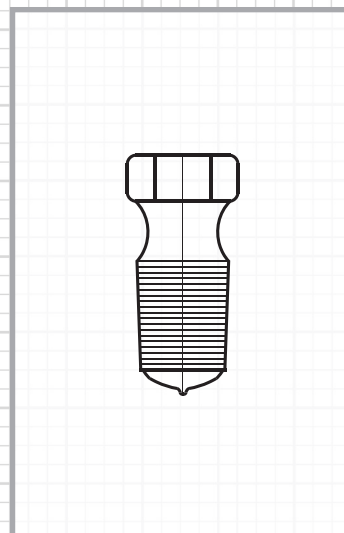
HOLLOW GLASS STOPPERS - WITH HEXAGONAL GRIP, WITH TIP - WITH SJ JOINT

Hohlglass - stopfen, mit Sechskantgriff, unten spitz - mit NS Schliff

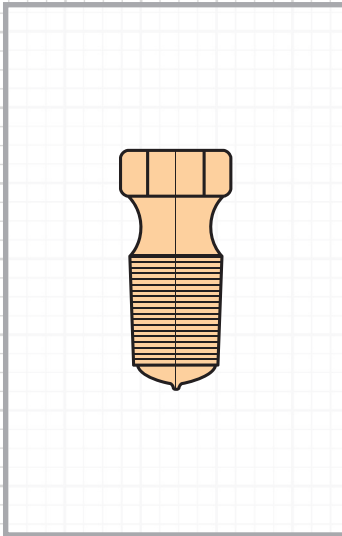
Zátka - dutá, se šestihranným hmatníkem, se špičkou - se zábrusem

Code	Size SJ	Drawing	Packing (pcs)
632 493 504 004	7/16	4504	50
632 493 504 006	10/19	4504	50
632 493 504 008	12/21	4504	50
632 493 504 012	14/23	4504	50
632 493 504 022	19/26	4504	50

Notice: Borosilicate glass



HOLLOW GLASS STOPPERS - WITH HEXAGONAL GRIP, WITH TIP - AMBER COLOR - WITH SJ JOINT

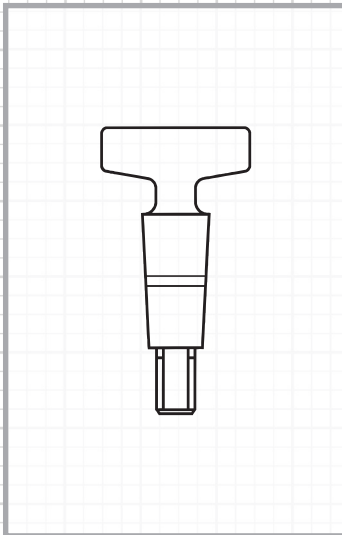


Hohlglas - stopfen, mit Sechskantgriff, unten spitz - braune Farbe - mit NS Schliff
 Zátka - dutá, se šestihranným hmatníkem, se špičkou - hnědá barva - se zábrusem

Code	Size SJ	Drawing	Packing (pcs)
632 493 505 004	7/16	4505	50
632 493 505 006	10/19	4505	50
632 493 505 008	12/21	4505	50
632 493 505 012	14/23	4505	50
632 493 505 022	19/26	4505	50

Notice: Borosilicate glass

GLASS STOPCOCK KEY GROUNDED - WITHOUT ACCESSORIES

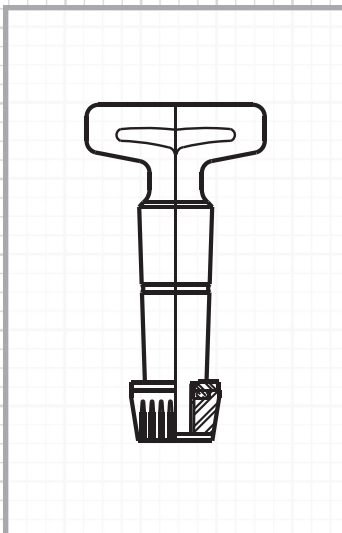


Glasküken geschliffen - ohne Zubehör
 Skleněné kladívko broušené - bez příslušenství

Code	SJ	Boring (mm)	Drawing	Packing (pcs)
632 441 360 002	12.5	2.5	3155	10
632 441 360 202	14.5	2.5	3156/1	10
632 441 360 204	14.5	4	3156/2	10
632 441 360 418	18.8	4.0	3595	10
632 441 360 425	18.8	6.0	3595/3	10

Notice: Neutral glass

GLASS KEY GROUNDED INCLUDING O RING, NUT AND WASHER



Glasküken geschliffen inkl. O Ring, Mutter und Unterlegscheibe
 Skleněné kladívko broušené vč. O kroužku, matky a podložky

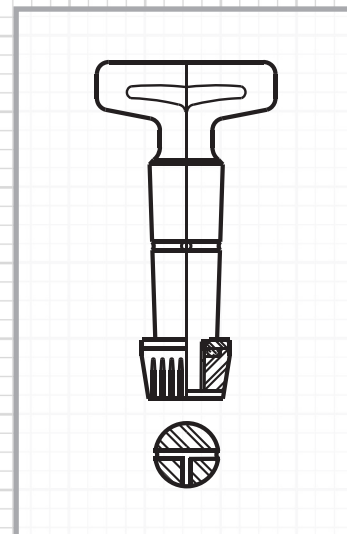
Code	SJ	Boring (mm)	Drawing	Packing (pcs)
632 441 360 003	12.5	2.5	3155/2	10
632 441 360 201	14.5	2.5	3156/4.1	10
632 441 360 205	14.5	4.0	3156/5	10
632 441 360 424	18.8	4.0	3595/4	10
632 441 360 426	18.8	6.0	3595/5	10

Notice: Neutral glass

GLASS KEY GROUNDED WITH 3 WAY BORING FOR 3 WAY STOPCOCKS INCLUDING O RING, NUT AND WASHER

Glasküken geschliffen mit Dreiwegbohrung für Dreiweghähne inkl. O Ring, Mutter und Unterlegscheibe
 Skleněné kladívko broušené s trojcestným vrtáním pro trojcestné kohouty vč. O kroužku, matky a podložky

Code	SJ	Boring (mm)	Drawing	Packing (pcs)
632 441 360 006	12.5	2.5	3155/3	10
632 441 360 210	14.5	2.5	3156/6	10
632 441 360 211	14.5	4.0	3156/7	10
632 441 360 410	18.8	4.0	3595/6	10
632 441 360 411	18.8	6.0	3595/7	10

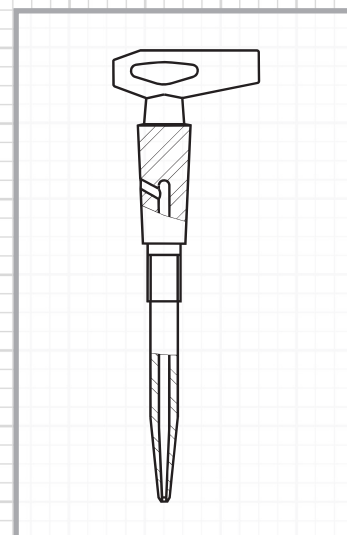


Notice: Neutral glass

STOPCOCK KEY - LATERAL, GROUNDED, WITH TIP - WITHOUT ACCESSORIES

Hahnküken - seitlich, geschliffen, mit Spitze - ohne Zubehör
 Kladívko - boční, broušené, se špičkou - bez příslušenství

Code	SJ	Boring (mm)	∅ Tip (mm)	Drawing	Packing (pcs)
632 441 360 360	12,5	2,5	0,30-0,35	2654/1	10
632 441 360 361	12,5	2,5	0,35-0,40	2654/1	10
632 441 360 362	12,5	2,5	0,60-0,65	2654/1	10
632 441 360 363	12,5	2,5	0,55-0,60	2654/1	10
632 441 360 364	12,5	2,5	0,80-0,85	2654/1	10
632 441 360 365	12,5	2,5	1,10-1,20	2654/1	10

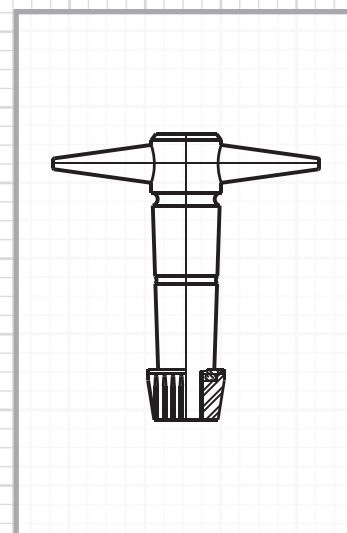


Notice: Borosilicate glass

PTFE KEY INCLUDING O RING, NUT AND WASHER

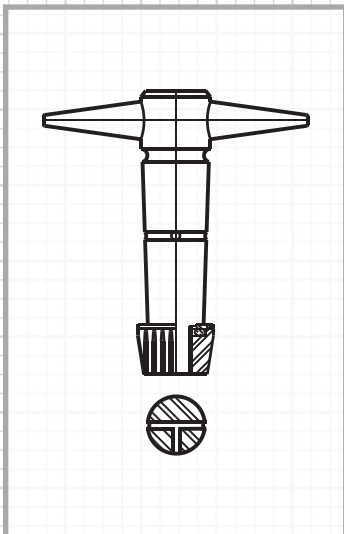
PTFE Küken inkl. O Ring, Mutter und Unterlegscheibe
 Teflonové kladívko vč. O kroužku, matky a podložky

Code	SJ	Boring (mm)	Drawing	Packing (pcs)
632 441 360 012	12.5	2.5	3177	10
632 441 360 024	14.5	2.5	3178	10
632 441 360 025	14.5	4.0	3178/1	10
632 441 360 430	18.8	4.0	4024	10
632 441 360 436	18.8	6.0	4024/1	10



Notice: PTFE

PTFE KEY WITH 3 WAY BORING FOR 3 WAY STOPCOCKS - INCL. O RING, NUT AND WASHER

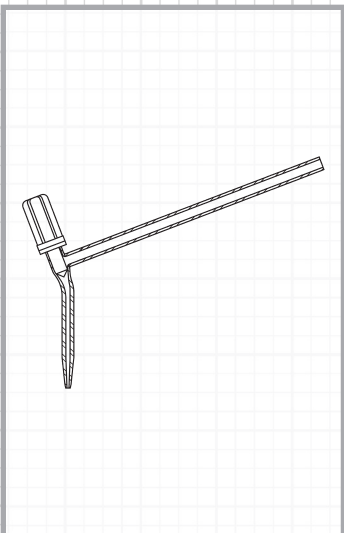


PTFE Kúken mit Dreiwegbohrung für Dreiweghähne - inkl. O Ring, Mutter und Unterlegscheibe
Teflonové kladívko s trojcestným vrtáním pro trojcestné kohouty - vč. O kroužku, matky a podložky

Code	SJ	Boring (mm)	Drawing	Packing (pcs)
632 441 360 016	12.5	2.5	3177/2	10
632 441 360 124	14.5	2.5	3178/2	10
632 441 360 125	14.5	4.0	3178/3	10
632 441 360 440	18.8	4.0	4024/2	10
632 441 360 441	18.8	6.0	4024/3	10

Notice: PTFE

BURETTE VALVE WITH PTFE NEEDLE

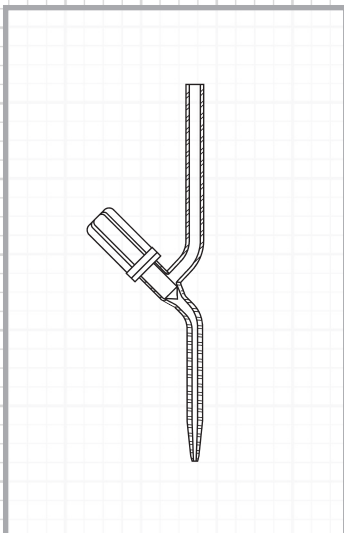


Büretten Ventilhahn mit PTFE-Nadel
Byreťový ventil s teflonovou kuželkou

Code	Diameter (mm)	Wall thickness (mm)	Drawing	Packing (pcs)
632 442 635 022	8	1.5	1576.2	1

Notice: Borosilicate glass, PTFE needle

STRAIGHT VALVE WITH PTFE NEEDLE



Gerader Büretten Ventilhahn mit PTFE-Nadel
Přímý ventil s teflonovou kuželkou

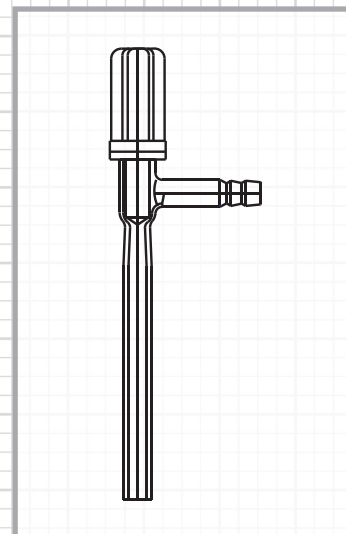
Code	Diameter (mm)	Wall thickness (mm)	Drawing	Packing (pcs)
632 442 636 022	8	1.5	1577.1	1

Notice: Borosilicate glass, PTFE needle

VALVE WITH PTFE NEEDLE + HOSE CONNECTION

Ventilhahn mit PTFE-Nadel + Olive
 Ventil s teflonovou kuželkou + olivkou

Code	Diameter (mm)	Hose connection (mm)	Wall thickness (mm)	Drawing	Packing
632 442 556 000	8	8.0	1.5	5443	1

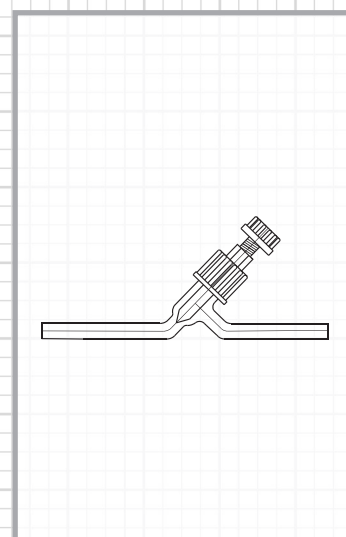


Notice: Borosilicate glass, PTFE needle

VALVE VT 0-2 - PTFE NEEDLE

Ventile VT 0-2 - PTFE Nadel
 Ventil VT 0-2 s teflonovou kuželkou

Code	Product description	Diameter (mm)	Wall thickness (mm)	Drawing	Packing (pcs)
632 442 636 020	Single way, straight, design A	7+-0,15	1,5+-0,1	75	1
632 442 638 020	Single way, straight, design A, capillary	7+-0,25	1,5+-0,1	73	1



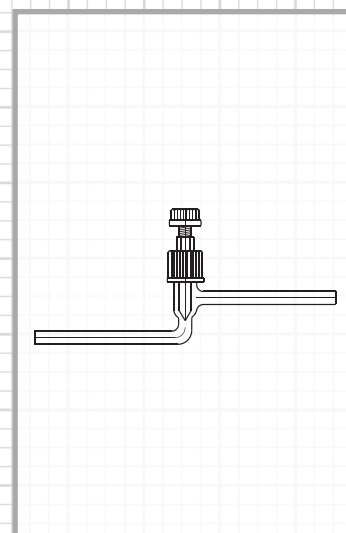
Notice: Borosilicate glass, PTFE needle

632 442 639 029 Spare part: PTFE needle for VT 0-2

VALVE VT 0-2 - PTFE NEEDLE

Ventile VT 0-2 - PTFE Nadel
 Ventil VT 0-2 s teflonovou kuželkou

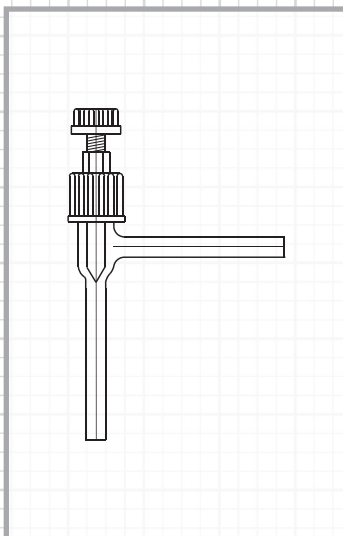
Code	Product description	Diameter (mm)	Wall thickness (mm)	Drawing	Packing (pcs)
632 442 637 020	Single way, straight, design B	7+-0,15	1,5+-0,1	69	1
632 442 638 022	Single way, straight, design B, capillary	7+-0,25	1,5+-0,1	70	1



Notice: Borosilicate glass, PTFE needle

632 442 639 029 Spare part: PTFE needle for VT 0-2

VALVE VT 0-2 - PTFE NEEDLE



Ventile VT 0-2 - PTFE Nadel

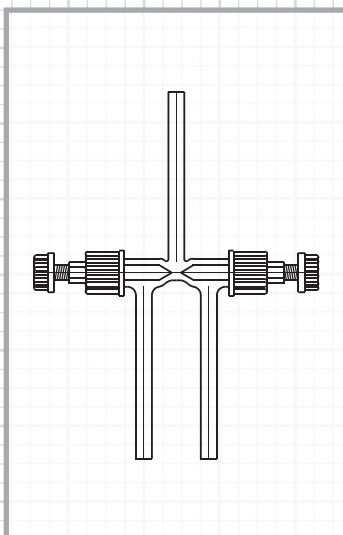
Ventil VT 0-2 s teflonovou kuželkou

Code	Product description	Diameter (mm)	Wall thickness (mm)	Drawing	Packing (pcs)
632 442 639 020	Single way, angular	7+-0,15	1,5+-0,1	67	1
632 442 640 020	Single way, angular, capillary	7+-0,25	1,5+-0,1	66	1

Notice: Borosilicate glass, PTFE needle

632 442 639 029 Spare part: PTFE needle for VT 0-2

VALVE VT 0-2 - PTFE NEEDLE



Ventile VT 0-2 - PTFE Nadel

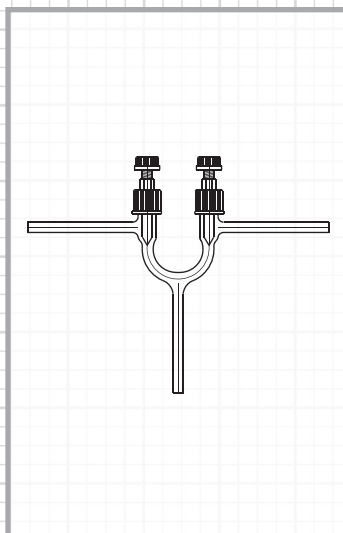
Ventil VT 0-2 s teflonovou kuželkou

Code	Product description	Diameter (mm)	Wall thickness (mm)	Drawing	Packing (pcs)
632 442 636 120	Double way, design A	7+-0,15	1,5+-0,1	84	1
632 442 638 220	Double way, design A, capillary	7+-0,25	1,5+-0,1	1214	1

Notice: Borosilicate glass, PTFE needle

632 442 639 029 Spare part: PTFE needle for VT 0-2

VALVE VT 0-2 - PTFE NEEDLE



Ventile VT 0-2 - PTFE Nadel

Ventil VT 0-2 s teflonovou kuželkou

Code	Product description	Diameter (mm)	Wall thickness (mm)	Drawing	Packing (pcs)
632 442 637 120	Double way, design B	7+-0,15	1,5+-0,1	85	1
632 442 640 220	Double way, design B, capillary	7+-0,25	1,5+-0,1	1215	1

Notice: Borosilicate glass, PTFE needle

632 442 639 029 Spare part: PTFE needle for VT 0-2

VALVE VT 0-5 - PTFE NEEDLE

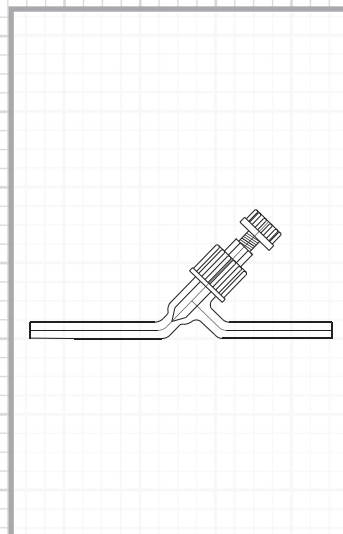
Ventile VT 0-5 - PTFE Nadel

Ventil VT 0-5 s teflonovou kuželkou

Code	Product description	Diameter (mm)	Wall thickness (mm)	Drawing	Packing (pcs)
632 442 636 050	Single way, straight, design A	10+ \pm 0,15	1,5+ \pm 0,1	74	1

Notice: Borosilicate glass, PTFE needle

632 442 639 059 Spare part: PTFE needle for VT 0-5

**VALVE VT 0-5 - PTFE NEEDLE**

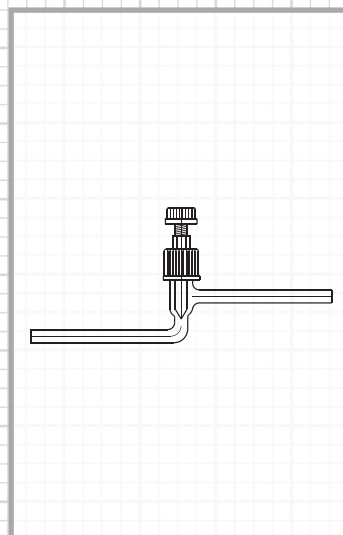
Ventile VT 0-5 - PTFE Nadel

Ventil VT 0-5 s teflonovou kuželkou

Code	Product description	Diameter (mm)	Wall thickness (mm)	Drawing	Packing (pcs)
632 442 637 050	Single way, straight, design B	10+ \pm 0,15	1,5+ \pm 0,1	71	1

Notice: Borosilicate glass, PTFE needle

632 442 639 059 Spare part: PTFE needle for VT 0-5

**VALVE VT 0-5 - PTFE NEEDLE**

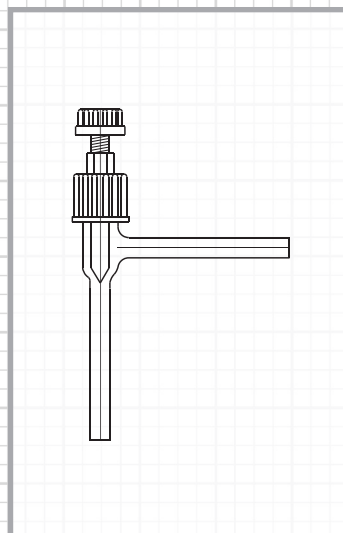
Ventile VT 0-5 - PTFE Nadel

Ventil VT 0-5 s teflonovou kuželkou

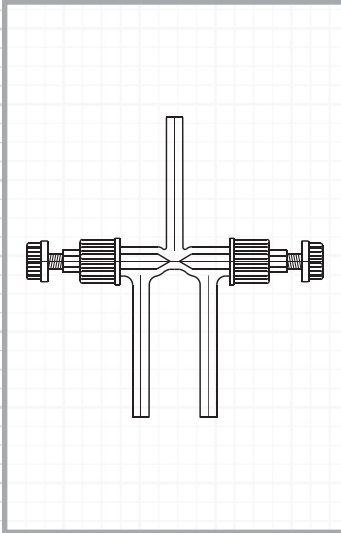
Code	Product description	Diameter (mm)	Wall thickness (mm)	Drawing	Packing (pcs)
632 442 639 050	Single way, angular	10+ \pm 0,15	1,5+ \pm 0,1	68	1

Notice: Borosilicate glass, PTFE needle

632 442 639 059 Spare part: PTFE needle for VT 0-5



VALVE VT 0-5 - PTFE NEEDLE

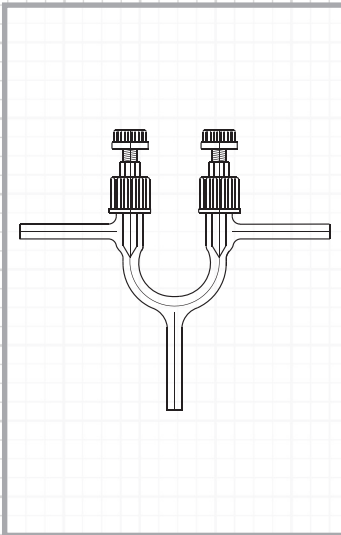


Ventile VT 0-5 - PTFE Nadel
Ventil VT 0-5 s teflonovou kuželkou

Code	Product description	Diameter (mm)	Wall thickness (mm)	Drawing	Packing (pcs)
632 442 637 150	Double way, design A	10+ \pm 0,15	1,5+ \pm 0,1	86	1

Notice: Borosilicate glass, PTFE needle
632 442 639 059 Spare part: PTFE needle for VT 0-5

VALVE VT 0-5 - PTFE NEEDLE

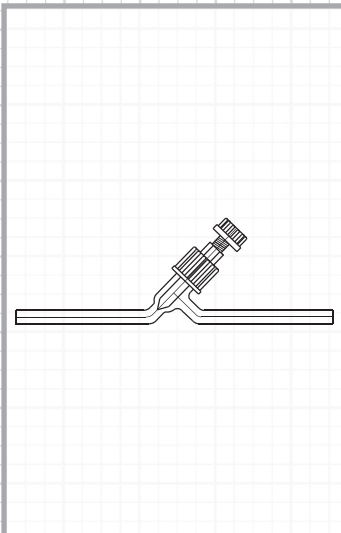


Ventile VT 0-5 - PTFE Nadel
Ventil VT 0-5 s teflonovou kuželkou

Code	Product description	Diameter (mm)	Wall thickness (mm)	Drawing	Packing (pcs)
632 442 638 150	Double way, design B	10+ \pm 0,15	1,5+ \pm 0,1	87	1

Notice: Borosilicate glass, PTFE needle
632 442 639 059 Spare part: PTFE needle for VT 0-5

VALVE VT 0-10 - PTFE NEEDLE



Ventile VT 0-10 - PTFE Nadel
Ventil VT 0-10 s teflonovou kuželkou

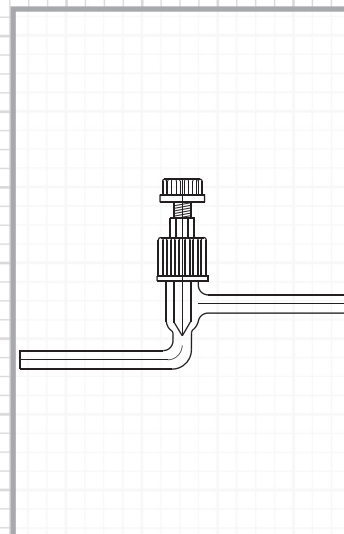
Code	Product description	Diameter (mm)	Wall thickness (mm)	Drawing	Packing (pcs)
632 442 639 100	Single way, straight, design A	15+ \pm 0,2	1,8+ \pm 0,1	78	1

Notice: Borosilicate glass, PTFE needle
632 442 639 109 Spare part: PTFE needle for VT 0-10

VALVE VT 0-10 - PTFE NEEDLE

Ventile VT 0-10 - PTFE Nadel
Ventil VT 0-10 s teflonovou kuželkou

Code	Product description	Diameter (mm)	Wall thickness (mm)	Drawing	Packing (pcs)
632 442 639 101	Single way, straight, design B	15 \pm 0,2	1,8 \pm 0,1	79	1



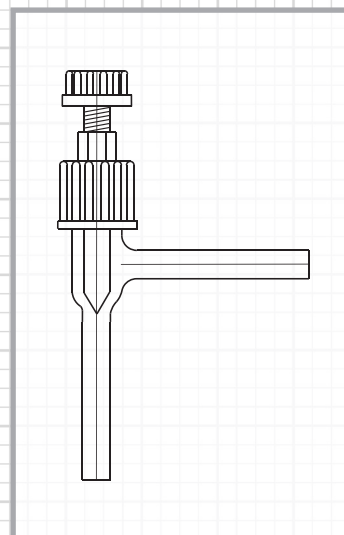
Notice: Borosilicate glass, PTFE needle

632 442 639 109 Spare part: PTFE needle for VT 0-10

VALVE VT 0-10 - PTFE NEEDLE

Ventile VT 0-10 - PTFE Nadel
Ventil VT 0-10 s teflonovou kuželkou

Code	Product description	Diameter (mm)	Wall thickness (mm)	Drawing	Packing (pcs)
632 442 639 110	Single way, angular	15 \pm 0,2	1,8 \pm 0,1	80	1



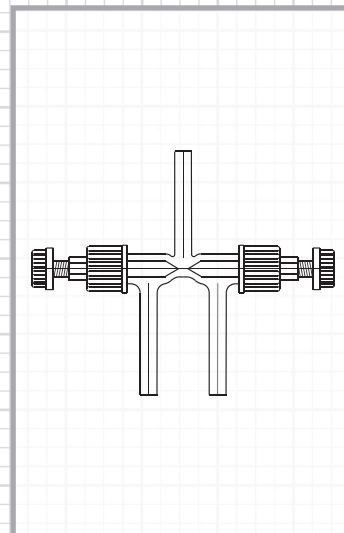
Notice: Borosilicate glass, PTFE needle

632 442 639 109 Spare part: PTFE needle for VT 0-10

VALVE VT 0-10 - PTFE NEEDLE

Ventile VT 0-10 - PTFE Nadel
Ventil VT 0-10 s teflonovou kuželkou

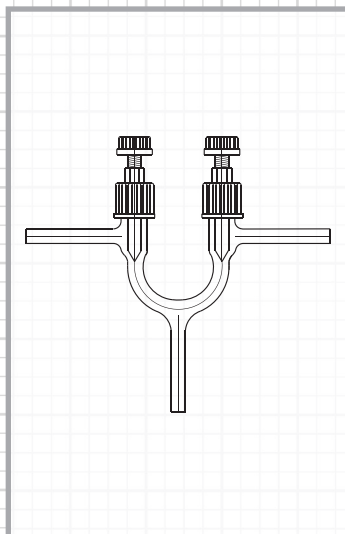
Code	Product description	Diameter (mm)	Wall thickness (mm)	Drawing	Packing (pcs)
632 442 639 120	Double way, design A	15 \pm 0,2	1,8 \pm 0,1	88	1



Notice: Borosilicate glass, PTFE needle

632 442 639 109 Spare part: PTFE needle for VT 0-10

VALVE VT 0-10 - PTFE NEEDLE



Ventile VT 0-10 - PTFE Nadel

Ventil VT 0-10 s teflonovou kuželkou

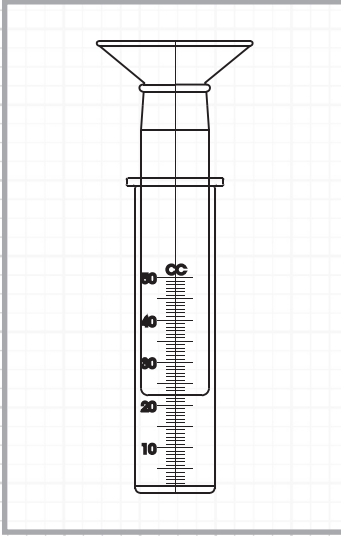
Code	Product description	Diameter (mm)	Wall thickness (mm)	Drawing	Packing (pcs)
632 442 639 121	Double way, design B	15 \pm 0,2	1,8 \pm 0,1	89	1

Notice: Borosilicate glass, PTFE needle

632 442 639 109 Spare part: PTFE needle for VT 0-10

PRODUCTS FOR HEALTH FIELD

SUCKER OF THE MOTHERLY MILK

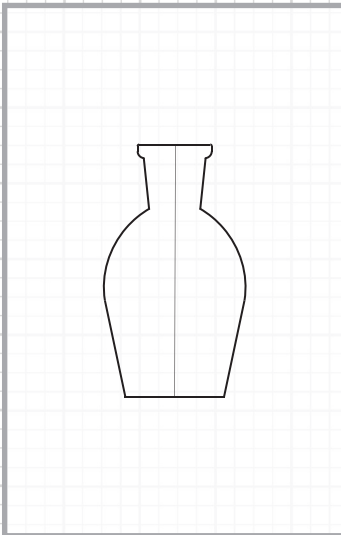


Milchpumpe
Odsávačka materského mléka

Code	Diameter (mm)	Length (mm)	Drawing	Packing (pcs)
632 526 001 000	70	170	996	1

Notice: Borosilicate glass

FLASK FOR WHITE CELLS

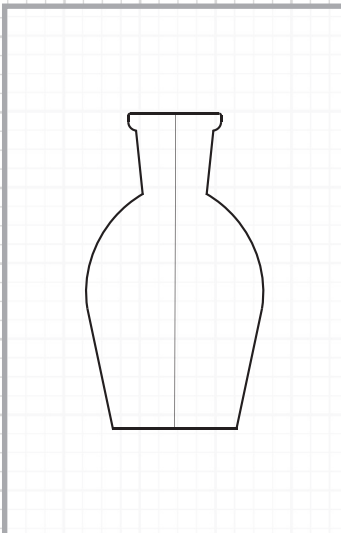


Kolben für weiße Blutkörper
Baňka na bílé krvinky

Code	Diameter (mm)	Length (mm)	Drawing	Packing (pcs)
632 521 001 000	18	32	1496	10

Notice: Borosilicate glass

FLASK FOR RED CELLS



Kolben für rote Blutkörper
Baňka na červené krvinky

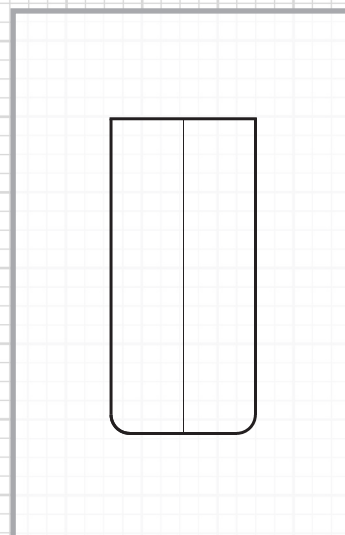
Code	Diameter (mm)	Length (mm)	Drawing	Packing (pcs)
632 521 002 000	29	51	1496/1	10

Notice: Borosilicate glass

JAR STAINING, BORREL

Färbezyliner nach Borrel
Nádobka kulatá dle Borrela

Code	Diameter (mm)	Length (mm)	Drawing	Packing (pcs)
632 491 502 040	38	85	4417	10

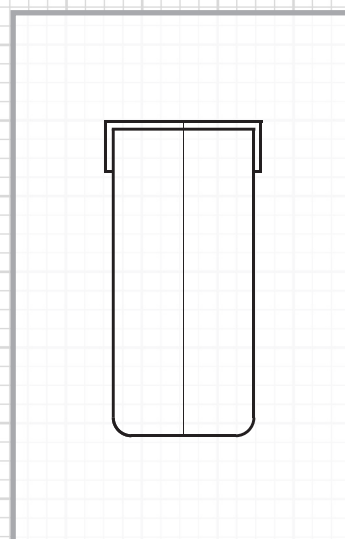


Notice: Borosilicate glass

JAR STAINING, BORREL - WITH CAP

Färbezyliner nach Borrel - mit Kappe
Nádobka kulatá dle Borrela - s víčkem

Code	Diameter (mm)	Length (mm)	Drawing	Packing (pcs)
632 491 502 041	38	85	4418	10

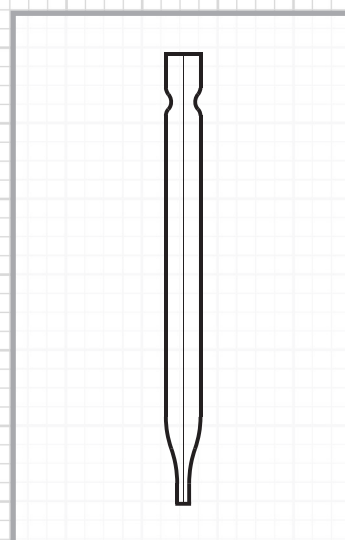


Notice: Borosilicate glass

DROP-GLASS WITH TIP

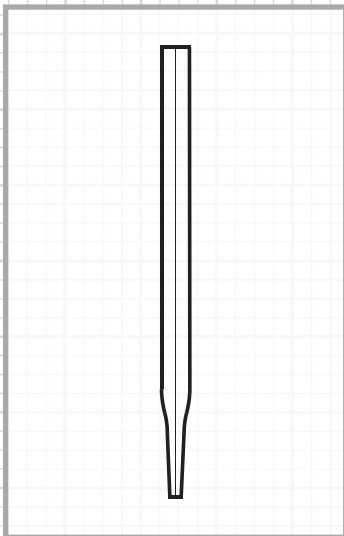
Tropfglas mit Spitze
Kapátko se špičkou

Code	Diameter (mm)	Length (mm)	Drawing	Packing (pcs)
632 522 017 081	7	81	2522	50
632 522 017 090	7	90	2225	50
632 522 017 107	7	107	2528	50
632 522 017 115	7	115	2224.1	50



Notice: Borosilicate glass

EYE DROPPER

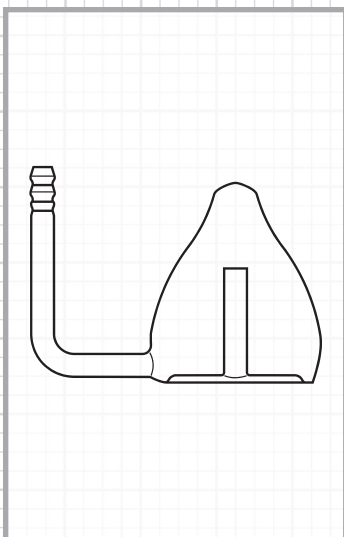


Augentropfglas
Oční kapátko

Code	Diameter (mm)	Length (mm)	Drawing	Packing (pcs)
632 522 016 007	6	50	1219.3	50
632 522 016 009	6	100	1219.3	50

Notice: Borosilicate glass

LUHAČOVICE'S NOSE IRRIGATOR

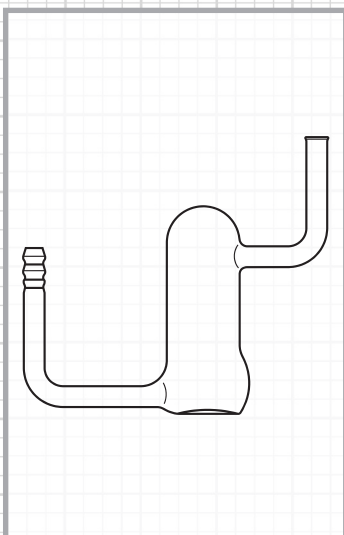


Luhačovicer Nasenbrause
Luhačovická nosní sprcha

Code	Diameter (mm)	Length (mm)	Drawing	Packing (pcs)
632 524 201 000	105	73	4421	1

Notice: Borosilicate glass

FRÄNKEL'S NOSE IRRIGATOR



Fränkel Nasenbrause
Fränklova nosní sprcha

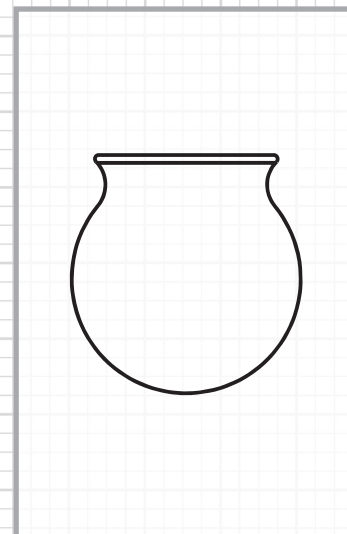
Code	Diameter (mm)	Length (mm)	Drawing	Packing (pcs)
632 524 202 000	115	105	4422	1

Notice: Borosilicate glass

MASSAGE BOTTLE

Massagenglocke
Masážní baňka

Code	Diameter (mm)	Length (mm)	Drawing	Packing (pcs)
632 633 454 120	20	22	2545	1
632 633 454 130	30	32	2545	1
632 633 454 140	40	42	2545	1
632 633 454 150	50	52	2545	1
632 633 454 160	60	60	2546	1
632 633 454 170	70	70	2546	1
632 633 454 180	80	80	2546	1

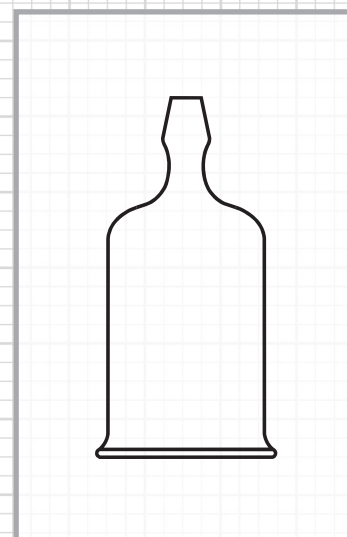


Notice: Borosilicate glass

MASSAGE BOTTLE WITH HOSE CONNECTION

Massagenglocke mit Olive
Masážní baňka s olivkou

Code	Diameter (mm)	Length (mm)	Drawing	Packing (pcs)
632 633 454 026	26	60	4414	1
632 633 454 036	36	83	4415	1
632 633 454 050	50	95	4416	1



Notice: Borosilicate glass

TECHNICAL GLASS

SOLAR ENERGY

Our products are usually placed as a part of solar pumps and temperature controllers.

Naše výrobky nacházejí běžné uplatnění jako součásti čerpadel a teplotních regulátorů solárních ohřevů.



DIVIDERS OF HEATING CHARGES

Specially formed (shaped) test tubes used in the slots (capsules) of the heat consumption meters. These heat consumption meters got popular because of their simplicity and affordable (low) price. They work (operate) on principle of evaporating of health-safe liquid, the quantity of evaporated liquid will be deducted on the scale.

Speciálně tvarované zkumavky používané v pouzdech poměrových měřičů tepla. Tyto měřiče tepla si získaly oblibu pro svoji jednoduchost a nízkou cenu. Využívá se principu odparu zdravotně nezávadné kapaliny, množství odpařené kapaliny se odečte na dílcích stupnice.



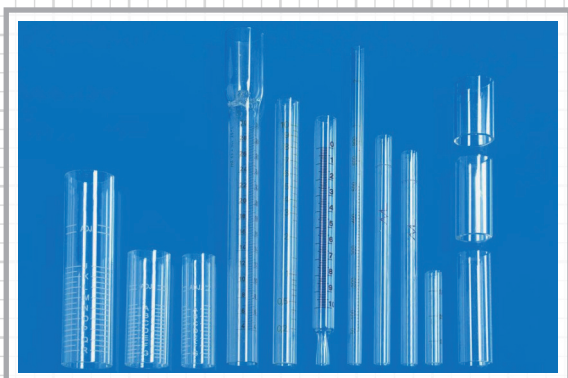
FLOWMETERS AND ROTAMETERS

Typical usage in measurement engineering are flowmeters and rotameters.

Technosklo Ltd. manufactures precise bore glass tubing to suit your specific application. Diameters ranging from 5 mm to 35 mm in lengths from 10 to 700 mm. Inside diameter accuracy up to $\pm 0,005$ mm. For this production we are using special vacuum forming technology, that with connection with our unique measuring method guarantees the best possible quality. We are also able to produce tapered (conical shaped) precise bore tubes. All tubes can be scaled and printed with different colors.

Vyrábíme přesné kalibrované skleněné trubičky pro různé technické aplikace. Průměry trubic nabízíme od 5 do 35 mm v délkách od 10 do 700 mm s přesností vnitřního průměru až $\pm 0,005$ mm. Pro výrobu těchto dílů používáme speciální vakuovou technologii tváření, která v kombinaci s naší přesnou metodou měření zaručuje tu nejlepší možnou výslednou kvalitu a spolehlivost dílů. Typické uplatnění je například v oblasti průtokoměrů a rotametrů.

Můžeme nabídnout i kónická provedení. Každou trubici na přání můžeme opatřit stupnicí a dalším potiskem v libovolných barvách.



PRODUCTS FOR AUTOMOTIVE AND TEXTILE INDUSTRY

AUTOMOTIVE INDUSTRY - DENSIMETERS

- Aku: Measuring set for elektrolyte density of storage batteries.
 - Fridex: Measuring set for water solutions used as antifreeze mixtures for cooling systems of ignition and inflammable engines.
 - Aku/Fridex: Measuring set for elektrolyte density of storage batteries and water solutions used as antifreeze mixtures for cooling systems of ignition and inflammable engines.
 - NIFFE: Measuring set for elektrolyte density of storage alkaline batteries.
-
- AKU: Určen pro měření hustoty elektrolytu akumulátorových baterií.
 - Fridex: Určen pro měření hustoty chladicích směsí zážehových i vznětových motorů.
 - Aku/Fridex: Určen pro měření hustoty elektrolytu akumulátorových baterií a pro měření hustoty nemrznoucích chladicích směsí zážehových i vznětových motorů.
 - NIFFE: Určen pro měření hustoty elektrolytu v alkalických bateriích.



AUTOMOTIVE INDUSTRY - ACCESSORIES FOR TIRE CORD FIBRE PRODUCTION

- Production of cord filaments is supported through different types of glass carriers of textile fibre, used as parts of spinning apparatus.
- Různé druhy skleněných vodičů a nosičů vláken na speciálních zvlákňovacích strojích.



TEXTILE INDUSTRY

Specialy shaped borosilicate tubes for spinners and other textile machines
Speciálně tvarované borokřemičité trubice pro doprādaci a další stroje.



FOOD INDUSTRY

We manufacture different glass parts for instruments for quality control of grain, flour, feed and food as: viscosimetric test tubes, glass falling number tubes, digester tubes, Kjeldahl test tubes, safety funnels etc. We are also producing large variety of glass packaging material for food as vials, flasks, tubes etc.

Vyrábíme různé skleněné součástky pro přístroje na testování obilnin, mouky a krmiv jako jsou: viskozimetrické zkumavky, zkumavky na sledování čísla poklesu, mineralizační tuby (kyvety), trubice pro analýzu dle Kjeldahla, pojistné nálevky atd.



PACKAGING MATERIAL



Large variety of glass packaging material for different applications - vials, flasks, bottles, tubes etc. We offer also special tubes with stoppers that are used as exclusive packing material for cigars and vanilla beans.

Vyrábíme široký sortiment skleněných výrobků s použitím jako balicí materiál pro různé aplikace jako vialky, lahvičky, baňky. Nabízíme i speciální trubičky se zátkou, které se používají jako luxusní a dárkový balicí materiál pro doutníky a vanilkové lusky.

AQUARIUM EQUIPMENT

Accurate parameters test tubes made of borosilicate glass, used as covers of aquarium submersible heaters, with high heat and mechanical resistance. This tubes can be printed with any print according to customers needs. We are also producing other glass items according to customers needs as CO₂ diffusers, CO₂ reactors, bubble counters, CO₂ indicators etc.

Borokřemičité zkumavky přesných rozměrů našly uplatnění v akvaristice jako obaly pro topná tělesa. Vyznačují se vysokou tepelnou a mechanickou odolností. Tyto zkumavky mohou mít libovolný potisk dle přání zákazníka. Vyrábíme i další akvaristické skleněné díly jako jsou CO₂ difuzory, CO₂ reaktory, indikátory koncentrace CO₂, atd.

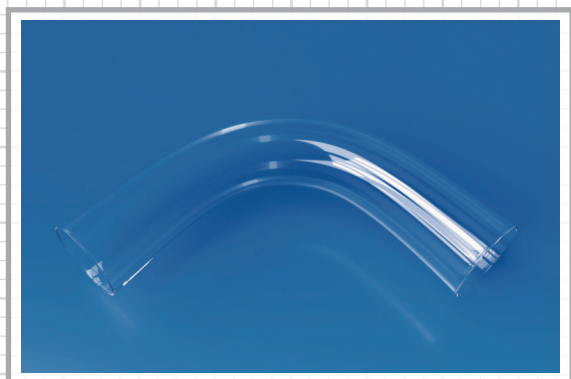


MILKING TECHNOLOGY

MILKING TECHNOLOGY

We produce many different borosilicate tubes for milking machines.

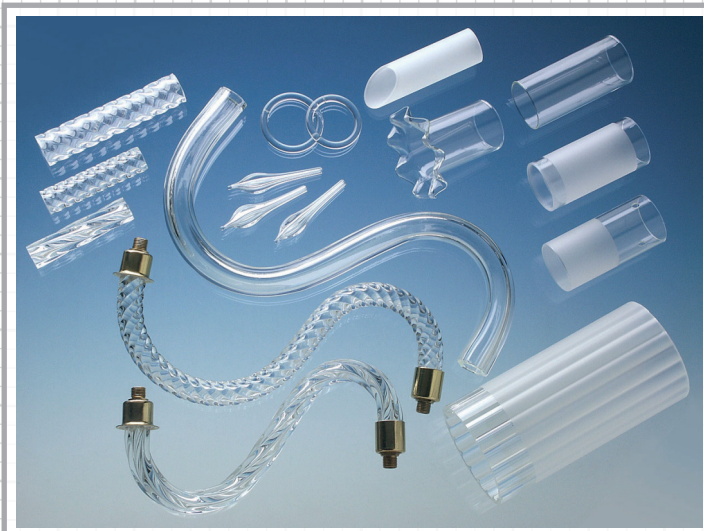
Vyrábíme mnoho různých borosilikátových trubic pro dojící stroje.



CHANDELIER COMPONENTS

CHANDELIERR ARMS AND COMPONENTS

CHANDELIERR ARMS AND COMPONENTS



Our company produce also many different chandelier components that are used as semi products in the production of crystal glass chandeliers. Depending on the agreement with the customer it is possible to create other modifications of the cross-sections and bend angles of the chandelier arms.

We have separate catalogue for chandelier components. Please ask and we send you printed or electronic version of the catalogue.

Naše společnost též vyrábí širokou škálu skleněných lustrových komponentů, které slouží jako polotovary k výrobě křišťálových lustrů.

Po dohodě se zákazníkem je možné vytvořit modifikace průřezů a úhlů ohybů lustrových ramen.

Pro lustrvé komponenty máme vypracovaný detailní katalog. V případě zájmu Vám rádi zašleme tištěnou nebo elektronickou verzi.



ALPHABETICAL INDEX

3 - way stopcock, complete with PTFE key, T - bore	116	Bottles reagent, wide mouth, ground-in flat stopper, standard shape - clear	17
3 - way stopcock, complete with glass key, T - bore	116	Burette acc. to Daffert, stopcock, glass key	82
Adaptor for bottle gas washing, Drechsler	25	Burette acc. to Daffert, stopcock, glass key, Schellbach stripe	82
Adaptor for bottle gas washing, Drechsler-SJ 29/32	25	Burette stopcock complete with glass key, with tip, Class AS	115
Ampule for lyophilization	34	Burette stopcock complete with PTFE key, with tip, Class AS	115
Apparatus for determination of CO ₂ in mineral water - Haertl - without thermometer	86	Burette tube with printing, Class AS	112
Apparatus for determination of volatile oil in drugs - with accessories	83	Burette tube with printing, Class B	113
Apparatus for determination of volatile oil in drugs - with accessories	84	Burette tube with printing, with Schellbach stripe, Class AS	112
Apparatus for determination of volatile oil in drugs - without accessories	83	Burette tube with printing, with Schellbach stripe, Class B	113
Apparatus for determination of volatile oil in drugs - without accessories	83	Burette tube without printing, Class AS	111
Apparatus with PTFE stopcocks	84	Burette tube without printing, Class B	112
Aquarium equipment	137	Burette valve with PTFE needle	122
Automatic burette according to Pellet with lateral stopcock, lateral glass key, QUALICOLOR, Class AS	72	Burette with hose connection, QUALICOLOR, Class B	51
Automatic burette according to Pellet with lateral stopcock, lateral glass key, QUALICOLOR, Class B	72	Burette with hose connection, with Schellbach stripe, QUALICOLOR, Class B	51
Automatic burette according to Pellet with lateral stopcock, lateral glass key, with intermediate stopcock with glass key, QUALICOLOR, Class AS	73	Burette with lateral PTFE valve, QUALICOLOR, Class AS	57
Automatic burette according to Pellet with lateral stopcock, lateral glass key, with intermediate stopcock with glass key, QUALICOLOR, Class B	74	Burette with lateral PTFE valve, QUALICOLOR, Class B	58
Automatic burette according to Pellet with lateral stopcock, lateral glass key, with intermediate stopcock with glass key, with Schellbach stripe, QUALICOLOR, Class AS	73	Burette with lateral PTFE valve, with Schellbach stripe, QUALICOLOR, Class AS	57
Automatic burette according to Pellet with lateral stopcock, lateral glass key, with intermediate stopcock with glass key, with Schellbach stripe, QUALICOLOR, Class B	74	Burette with lateral PTFE valve, with Schellbach stripe, QUALICOLOR, Class B	58
Automatic burette according to Pellet with lateral stopcock, lateral glass key, with Schellbach stripe, QUALICOLOR, Class AS	72	Burette with lateral stopcock, glass key, QUALICOLOR, Class AS	56
Automatic burette according to Pellet with lateral stopcock, lateral glass key, with Schellbach stripe, QUALICOLOR, Class B	73	Burette with lateral stopcock, glass key, QUALICOLOR, Class B	56
Automatic burette according to Pellet with lateral stopcock, lateral glass key, with Schellbach stripe, QUALICOLOR, Class AS	72	Burette with lateral stopcock, glass key, with Schellbach stripe, QUALICOLOR, Class AS	56
Automatic burette according to Pellet with lateral stopcock, lateral glass key, with Schellbach stripe, QUALICOLOR, Class B	73	Burette with lateral stopcock, glass key, with Schellbach stripe, QUALICOLOR, Class B	57
Automatic burette according to Pellet with lateral stopcock, lateral PTFE key, QUALICOLOR, Class AS	74	Burette with lateral stopcock, lateral glass key, QUALICOLOR, Class AS	58
Automatic burette according to Pellet with lateral stopcock, lateral PTFE key, with intermediate stopcock with PTFE key, QUALICOLOR, Class AS	75	Burette with lateral stopcock, lateral glass key, QUALICOLOR, Class B	59
Automatic burette according to Pellet with lateral stopcock, lateral PTFE key, with intermediate stopcock with PTFE key, with Schellbach stripe, QUALICOLOR, Class AS	75	Burette with lateral stopcock, lateral glass key, with Schellbach stripe, QUALICOLOR, Class AS	59
Automatic burette according to Pellet with lateral stopcock, lateral PTFE key, with Schellbach stripe, QUALICOLOR, Class AS	75	Burette with lateral stopcock, lateral PTFE key, QUALICOLOR, Class AS	60
Automatic burette according to Pellet with PTFE valve, QUALICOLOR, Class AS	68	Burette with lateral stopcock, lateral PTFE key, QUALICOLOR, Class B	60
Automatic burette according to Pellet with PTFE valve, QUALICOLOR, Class B	69	Burette with lateral stopcock, lateral PTFE key, with Schellbach stripe, QUALICOLOR, Class AS	60
Automatic burette according to Pellet with PTFE valve, with intermediate stopcock with glass key, QUALICOLOR, Class AS	70	Burette with lateral stopcock, lateral PTFE key, with Schellbach stripe, QUALICOLOR, Class B	61
Automatic burette according to Pellet with PTFE valve, with intermediate stopcock with glass key, QUALICOLOR, Class B	70	Burette with straight PTFE valve, QUALICOLOR, Class AS	54
Automatic burette according to Pellet with PTFE valve, with intermediate stopcock with glass key, with Schellbach stripe, QUALICOLOR, Class AS	70	Burette with straight PTFE valve, QUALICOLOR, Class B	55
Automatic burette according to Pellet with PTFE valve, with intermediate stopcock with glass key, with Schellbach stripe, QUALICOLOR, Class B	71	Burette with straight PTFE valve, with Schellbach stripe, QUALICOLOR, Class AS	55
Automatic burette according to Pellet with PTFE valve, with intermediate stopcock with PTFE key, QUALICOLOR, Class AS	71	Burette with straight stopcock, glass key, QUALICOLOR, Class AS	52
Automatic burette according to Pellet with PTFE valve, with intermediate stopcock with PTFE key, with Schellbach stripe, QUALICOLOR, Class AS	71	Burette with straight stopcock, glass key, with conical cup, QUALICOLOR, Class AS	61
Automatic burette according to Pellet with PTFE valve, with Schellbach stripe, QUALICOLOR, Class AS	69	Burette with straight stopcock, glass key, with conical cup, QUALICOLOR, Class B	62
Automatic burette according to Pellet with PTFE valve, with Schellbach stripe, QUALICOLOR, Class B	69	Burette with straight stopcock, glass key, with Schellbach stripe, QUALICOLOR, Class AS	52
Automatic burette according to Pellet with stopcock, glass key, QUALICOLOR, Class AS	64	Burette with straight stopcock, glass key, with Schellbach stripe, QUALICOLOR, Class B	53
Automatic burette according to Pellet with stopcock, glass key, QUALICOLOR, Class B	65	Burette with straight stopcock, glass key, with Schellbach stripe, with conical cup, QUALICOLOR, Class AS	61
Automatic burette according to Pellet with stopcock, glass key, with Schellbach stripe, QUALICOLOR, Class AS	65	Burette with straight stopcock, glass key, with Schellbach stripe, with conical cup, QUALICOLOR, Class B	62
Automatic burette according to Pellet with stopcock, glass key, with Schellbach stripe, QUALICOLOR, Class B	65	Burette with straight stopcock, PTFE key, QUALICOLOR, Class AS	53
Automatic burette according to Pellet with stopcock, PTFE key, QUALICOLOR, Class AS	67	Burette with straight stopcock, PTFE key, QUALICOLOR, Class B	54
Automatic burette according to Pellet with stopcock, PTFE key, with Schellbach stripe, QUALICOLOR, Class AS	67	Burette with straight stopcock, PTFE key, with conical cup, QUALICOLOR, Class AS	62
Automatic burette according to Pellet with stopcock, with intermediate stopcock, with glass key, QUALICOLOR, Class B	66	Burette with straight stopcock, PTFE key, with conical cup, QUALICOLOR, Class B	63
Automatic burette according to Pellet with stopcock, with intermediate stopcock, with glass key, with Schellbach stripe, QUALICOLOR, Class AS	66	Burette with straight stopcock, PTFE key, with Schellbach stripe, QUALICOLOR, Class AS	53
Automatic burette according to Pellet with stopcock, with intermediate stopcock, with glass key, with Schellbach stripe, QUALICOLOR, Class B	67	Burette with straight stopcock, PTFE key, with Schellbach stripe, QUALICOLOR, Class B	54
Automatic burette according to Pellet with stopcock, with intermediate stopcock, with PTFE key, QUALICOLOR, Class AS	68	Burette with straight stopcock, PTFE key, with Schellbach stripe, with conical cup, QUALICOLOR, Class AS	63
Automatic burette according to Pellet with stopcock, with intermediate stopcock, with PTFE key, with Schellbach stripe, QUALICOLOR, Class AS	68	Burette with straight stopcock, PTFE key, with Schellbach stripe, with conical cup, QUALICOLOR, Class B	63
Automatic burette according to Schilling with accessories, bottle 1000 ml	81	Cannon - Fenske routine viscometer	86
Automatic burette according to Schilling with accessories, bottle 500 ml	80	Capillary micropipette according to Bürker	40
Automatic burette according to Schilling with Schellbach stripe, with accessories, bottle 1000 ml	81	Centrifuge tubes	28
Automatic burette according to Schilling with Schellbach stripe, with accessories, bottle 500 ml	81	Centrifuge tubes	33
Automatic burette according to Schilling, with Schellbach stripe, without accessories	80	Condenser - combined	93
Automatic burette according to Schilling, without accessories	80	Condenser Allihn	90
Automotive industry - Accessories for tire cord fibre production	136	Condenser Allihn, for extractors, SJ cone	87
Automotive industry - Densimeters	136	Condenser Allihn, SJ cone	90
Batch conformity for automatic burettes	64	Condenser Allihn, SJ cone and socket	90
Batch conformity for burettes	51	Condenser coil	92
Batch conformity for graduated pipettes	47	Condenser coil, SJ cone and socket	92
Batch conformity for one-mark and two-mark pipettes	41	Condenser coil, SJ cone and socket and screws GL 14	93
Beakers, high form	11	Condenser coil, SJ socket	92
Beakers, low form	11	Condenser Dimroth, SJ cone	91
Beakers, tall form, with outlet tube	11	Condenser Dimroth, SJ cone and socket	91
Berzelius beaker	11	Condenser Dimroth, SJ cone and socket and screws GL 14	91
Blain apparatus for cement testing	84	Condenser Liebig	88
Borosilicate glass balls - glossy	100	Condenser Liebig, SJ cone and socket	89
Borosilicate glass balls - matt	100	Condenser Liebig, SJ cone and socket and screws GL 14	89
Bottle gas washing, Drechsler, SJ 29/32	26	Condenser Liebig, SJ cone at the bottom	89
Bottle gas washing, Drechsler-incl. reagent bottle	25	Connected distilling apparatus	88
Bottle top dispenser TS-1	108	Connecting tube straight, with conically arranged hose connections for different diameters of rubber tube	103
Bottles reagent, narrow mouth, ground-in flat stopper, standard shape - amber	17	Connecting tube, L-shape with hose connections	104
Bottles reagent, narrow mouth, ground-in flat stopper, standard shape - clear	17	Connecting tube, T-shape with hose connections	104
Bottles reagent, Steilbrust, narrow mouth, ground-in flat stopper - amber	16	Connecting tube, T-shape without hose connections	105
Bottles reagent, Steilbrust, narrow mouth, ground-in flat stopper - clear	15	Connecting tube, U-shape with hose connections	104
Bottles reagent, Steilbrust, wide mouth, ground-in flat stopper - amber	16	Connecting tube, Y-shape with hose connections	103
Bottles reagent, Steilbrust, wide mouth, ground-in flat stopper - clear	16	Crystallising dishes with spout	12
Bottles reagent, wide mouth, ground-in flat stopper, standard shape - amber	18	Crystallising dishes without spout	12
		Culture flasks, Roux, central neck	18
		Culture flasks, Roux, neck conical excentric, formed for standard joint	19
		Culture flasks, Roux, neck conical in the middle, formed for standard joint	18
		Culture flasks, Roux, side neck	19
		Culture tubes with black cap - autoclavable by 121 °C	28
		Cylinders graduated, hexagonal base and pourout, high form, blue graduation, Class A	15
		Desiccator lid with plastic knob and stopcock, complete without plate	20
		Desiccator with plastic knob	19
		Desiccator with plastic knob and porcelain plate	20
		Desiccator with plastic knob, stopcock and porcelain plate	21
		Desiccator with tubes (outlet) and stopcock SJ 24/29	20
		Desiccator with tubes (outlet) and stopcock SJ 24/29 and porcelain plate	21
		Dispenser piston valve dosing device for small volumes of liquids - VD	108
		Dividers of heating charges	135
		Double-ended hose connection	103
		Drop-glass with tip	131
		Dropping bottles with ground in pipette stopper - amber	24
		Dropping bottles with ground in pipette stopper - clear	24
		Extractor body, Soxhlet	87
		Extractor Soxhlet with Allihn condenser and flask	88

ALPHABETICAL INDEX

Eye dropper	132	PTFE key including O Ring, nut and washer	121
Falling number test tube	34	PTFE key with 3 way boring for 3 way stopcocks - incl. O Ring, nut and washer	122
Fermenting cock	106	Raschig rings	99
Filter crucibles	98	Reagent bottles acc. to DIN, square, with blue cap 140 °C resistant, screw GL 80 - amber	14
Filter crucibles for dietary fibre extraction	99	Reagent bottles acc. to DIN, square, with blue cap 140 °C resistant, screw GL 80 - clear	14
Filter funnel, with filter disc	99	Reagent bottles acc. to DIN, with blue cap 140 °C resistant, screw GL 45 - amber	13
Filter funnels	98	Reagent bottles acc. to DIN, with blue cap 140 °C resistant, screw GL 45 - clear	13
Filter tubes, Allihn	97	Reservoir bottle for automatic burette SJ 29/32	76
Flask Erlenmeyer, narrow neck	12	Rods with flamed paddle and grid	38
Flask Erlenmeyer, wide neck	13	Rods with flamed and bended paddle, with grid	38
Flask for red cells	130	Rods with flamed and bended paddle, without grid	38
Flask for white cells	130	Rods with flamed ends	37
Flasks volumetric with SJ and plastic stopper, Class A	14	Rods with flamed paddle without grid	37
Flowmeters and rotameters	135	Rubber blower for automatic burette	76
Food industry	137	Sample tube for digesters	35
Frankel's nose irrigator	132	Sample tube for digesters	36
Funnel filling, with short oblique stem	8	Sample tube for digesters with graduation	36
Funnels with short wide stem	9	Screw GL	102
Funnels	8	Sedimentation pipette	41
Funnels separatory conical acc. to Squibb with SJ stopper and teflon SJ stopcock	15	Single way stopcock - complete with glass key	114
Funnel with long stem	8	Single way stopcock - complete with PTFE key	114
Gas syringe	96	Single way stopcock for separatory funnels - complete with glass key	117
Gas syringe with single way stopcock	96	Single way stopcock for separatory funnels - complete with PTFE key	117
Gas syringe with three-way stopcock	97	Single way stopcock grounded - without key	113
Glass key grounded including O Ring, nut and washer	120	Single way stopcock polished - without key	114
Glass key grounded with 3 way boring for 3 way stopcocks including O Ring, nut and washer	121	Single way stopcock with SJ and bended hose connection, with glass key, 14,5 mm	118
Glass stopcock key grounded - without accessories	120	Single way stopcock with SJ and straight hose connection, with glass key, 14,5 mm	117
Graduated pipette for serology - wide tip	49	Soda-lime glass balls - glossy	101
Graduated pipette, Class B, with glass piston	50	Soda-lime glass balls - matt	100
Graduated pipette, for complete delivery, QUALICOLOR, COLOR CODE, Class AS	47	Spatula Drigalski	26
Graduated pipette, for complete delivery, QUALICOLOR, COLOR CODE, Class B	47	Standard joint with bended hose connection	118
Graduated pipette, for complete delivery, with safety bulb, QUALICOLOR, COLOR CODE, Class AS	48	Standard joint with straight hose connection	118
Graduated pipette, for complete delivery, with safety bulb, QUALICOLOR, COLOR CODE, Class B	48	Standard joint, cone - SJ	119
Graduated pipette, for complete delivery, with Schellbach stripe, QUALICOLOR, COLOR CODE, Class AS	49	Standard joint, socket - SJ	119
Graduated pipette, for partial delivery, QUALICOLOR, COLOR CODE, Class AS	48	Stirrer with 1 moving paddle	39
Graduated pipette, for partial delivery, QUALICOLOR, COLOR CODE, Class B	49	Stirrer with 2 moving paddles	39
Hollow glass stoppers - with hexagonal grip, with tip - amber color - with SJ joint	120	Stirrer with 2 perforated paddles	39
Hollow glass stoppers - with hexagonal grip, with tip - with SJ joint	119	Stopcock key - lateral, grounded, with tip - without accessories	121
Hollow tube - double test tube	35	Stopcock with glass key for desiccators	21
Chromatography-column with indentations and SJ socket, with stopcock with PTFE key	94	Stopcock with PTFE key for desiccators	22
Chromatography-column with indentations and stopcock with PTFE key	93	Straight valve with PTFE needle	122
Chromatography-column with sintered glass disc (Porosity 0) and SJ socket and stopcock with PTFE key	94	Sucker of the motherly milk	130
Chromatography-column with sintered glass disc (Porosity 0) and SJ socket, stopcock with PTFE key and cone with GL 18	95	Test tube for microbiology - with plug	32
Chromatography-column with sintered glass disc (Porosity 0) and stopcock with PTFE key	94	Test tube for microbiology - without plug	32
Insert for jars staining	23	Test tube with hose connection - with rim	32
Jar staining, Borrel	131	Test tubes for vanilla beans - with plastic plug	34
Jar staining, Borrel - with cap	131	Test tubes with flat bottom	28
Jars staining - without insert	23	Test tubes with flat bottom	33
Jars staining Coplin	22	Test tubes with rim, round bottom	27
Jars staining Hellendahl	22	Test tubes with rim, round bottom	31
Jars staining Schiefferdecker	23	Test tubes with round bottom, screw GL 18	33
Lateral stopcock with lateral glass key and tip	115	Test tubes without rim, round bottom	27
Lateral stopcock with lateral PTFE key and tip	116	Test tubes without rim, round bottom	29
Luhačovice's nose irrigator	132	Test tubes without rim, round bottom	30
Massage bottle	133	Test vessel for powder flow analyse	36
Massage bottle with hose connection	133	Test vessel for powder flow analyse	37
Micro filter funnels	97	Textile industry	136
Microburette according to Bang with lateral PTFE valve, with intermediate stopcock with glass key, Class AS	78	Thistle funnel	107
Microburette according to Bang with lateral PTFE valve, with intermediate stopcock with glass key, with Schellbach stripe, Class AS	79	Thistle funnel	107
Microburette according to Bang with lateral stopcock, lateral glass key, with intermediate stopcock with glass key, Class AS	77	Tube gas collecting, with straight stopcocks - glass key	95
Microburette according to Bang with lateral stopcock, lateral glass key, with intermediate stopcock with glass key, with Schellbach stripe, Class AS	78	Tube gas collecting, with straight stopcocks - PTFE key	96
Microburette according to Bang with lateral stopcock, lateral PTFE key, with intermediate stopcock with PTFE key, Class AS	77	Tube gas collecting, with two hose connections	95
Microburette according to Bang with lateral stopcock, lateral PTFE key, with intermediate stopcock with PTFE key, with Schellbach stripe, Class AS	79	Two-marks pipette, enlarged form with safety bulb, QUALICOLOR, COLOR CODE, Class AS	46
Microburette according to Bang with straight stopcock, glass key, with intermediate stopcock with glass key, Class AS	76	Two-marks pipette, enlarged form with safety bulb, QUALICOLOR, COLOR CODE, Class B	46
Microburette according to Bang with straight stopcock, glass key, with intermediate stopcock with glass key, with Schellbach stripe, Class AS	78	Two-marks pipette, enlarged form, QUALICOLOR, COLOR CODE, Class AS	45
Microburette according to Bang with straight stopcock, PTFE key, with intermediate stopcock with PTFE key, Class AS	77	Two-marks pipette, enlarged form, QUALICOLOR, COLOR CODE, Class B	45
Microburette according to Bang with straight stopcock, PTFE key, with intermediate stopcock with PTFE key, with Schellbach stripe, Class AS	79	U - tube	105
Milking technology	138	U - tube with hose connection	106
Mineralization bottle - with PTFE valve	85	U - tube with two side arms	106
Multi outlet tube	105	Valve VT 0-10 - PTFE needle	126
One-mark pipette, enlarged form with safety bulb, QUALICOLOR, COLOR CODE, Class AS	44	Valve VT 0-10 - PTFE needle	127
One-mark pipette, enlarged form with safety bulb, QUALICOLOR, COLOR CODE, Class B	44	Valve VT 0-10 - PTFE needle	127
One-mark pipette, enlarged form, Class B, with glass piston	50	Valve VT 0-10 - PTFE needle	128
One-mark pipette, enlarged form, QUALICOLOR, COLOR CODE, Class AS	43	Valve VT 0-10 - PTFE needle	128
One-mark pipette, enlarged form, QUALICOLOR, COLOR CODE, Class B	43	Valve VT 0-2 - PTFE needle	123
One-mark pipette, straight form with safety bulb, QUALICOLOR, COLOR CODE, Class AS	42	Valve VT 0-2 - PTFE needle	123
One-mark pipette, straight form with safety bulb, QUALICOLOR, COLOR CODE, Class B	42	Valve VT 0-2 - PTFE needle	124
One-mark pipette, straight form, QUALICOLOR, COLOR CODE, Class AS	41	Valve VT 0-2 - PTFE needle	124
One-mark pipette, straight form, QUALICOLOR, COLOR CODE, Class B	42	Valve VT 0-2 - PTFE needle	124
Packaging material	137	Valve VT 0-2 - PTFE needle	124
Pasteur pipette	40	Valve VT 0-5 - PTFE needle	125
Pasteur pipette - Soda-lime glass	40	Valve VT 0-5 - PTFE needle	125
Petridish	26	Valve VT 0-5 - PTFE needle	126
Pipette graduated, blank, no printing	111	Valve VT 0-5 - PTFE needle	126
Pipette transfer, blank, enlarged form, with COLOR CODE	111	Valve with PTFE needle + hose connection	123
Pipette with SJ 14/15 for dropping bottles	24	Viscometer according to Ubbelohde	86
Precise borosilicate glass balls - glossy	101	Viscometer for non - transparent liquids	87
Precise borosilicate glass balls - matt	101	Wash bottle with glass tip	107
Precise soda-lime glass balls - glossy	102	Water decomposition apparatus acc. to Hoffmann	82
Precise soda-lime glass balls - matt	102	Water still DP 2 300	108
		Water still DP 2 300 - electric part only	109
		Water still DP 2 300 - glass part only	109
		Water still DP 4 000	109
		Water still DP 4 000 - glass part only	110
		Water still DP 4000 - electric part only	110
		Watch glass	27
		We offer amber automatic burettes	64
		We offer amber burettes	50
		Weighing bottle for corrosive liquids with stopcock with glass key	85
		Weighing bottle for corrosive liquids with valve VT 0-2	85
		Weighing bottles - light lid	9
		Weighing bottles - pressed lid	10
		Woulf bottle with neck and outlet + stopcock and connecting tube	110



TECHNOSKLO, Ltd.
468 24 Držkov 135
Czech Republic
Phone: +420 483 346 403
Fax: +420 483 346 400
e-mail: sales@technosklo.com
www.technosklo.com